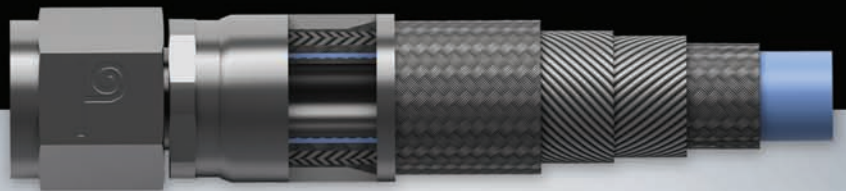


smiths



Fluid Management Solutions for the Aerospace Industry



TITEFLEX
AEROSPACE

	Page
About Titeflex	3
 LOW PRESSURE HOSES	
R267 (410 Series)	4
R367 (480 Series)	10
R270 (510 Series)	16
RM190 (190 Series)	22
 MEDIUM PRESSURE HOSES	
S145 Series	26
R101 (130/180 Series)	32
 HIGH PRESSURE HOSES	
R160 (240 Series)	40
R162 (250 Series)	48
R157 (660 Series)	50
R154 (370 Series)	58
RA170 (220 Series)	66
SA500 (500 Series)	72
 Rigid Tubing Fabrication and Capabilities	 76
Flex-Rigid Hybrid Assemblies	78
Fire Protection and Anti-Abrasion	79
How To Order Hose Assemblies	80
Accreditations	83

TITEFLEX: A Global Leader in Fluid Management

A global leader in creating and adapting fluid management products and quality programs, Titeflex's expertise can be traced to its aerospace roots at the dawning of the space age. Titeflex provides solutions and service for demanding fluid transfer requirements, whether the media be corrosive, caustic or combustible, or under extreme pressure, temperature and flexing conditions. Primary markets include aerospace, chemical, petro-chemical, pulp and paper, petroleum equipment, heavy equipment, compressed gas, automotive, refrigeration, transportation, and dozens of other niche markets. The company has a long history of expertise in PTFE extrusion and wire braid reinforcement, flexible fluid management products, rigid tube bending capabilities and unique flex-rigid assemblies. Titeflex's background and experience in stringent and demanding hose requirements plays into the strengths of our applications engineers. We are able to assimilate the most difficult and demanding applications into customer satisfaction, borrowing from our experience and core technology. Committed to quality, Titeflex is ISO 9001/AS9100 certified and has received numerous other certifications and accreditations.

Titeflex is a subsidiary of Smiths Group plc under the Flex-Tek Division. Smiths Group is a global technology company listed on the London Stock Exchange. A world leader in the practical application of advanced technologies, Smiths Group delivers products and services for the threat & contraband detection, medical devices, energy, communications and engineered components markets worldwide. Smiths Group products and services make the world safer, healthier and more productive. For more information about Smiths Group, please visit www.smiths.com.

TITEFLEX AEROSPACE: Fluid Management Solutions

Titeflex Aerospace's proven reputation and successful track record of innovation and quality can be traced to the earliest days of the space age, with over 90 years experience in fluid transfer technology. Titeflex was the first to produce extruded PTFE hose in 1955 and began producing convoluted PTFE hose in 1965. Titeflex Aerospace's heritage of rigid tube bending and coiling began in 1913 as Joseph A. Lewis & Company, Inc. and has evolved in all aspects of precision bending and tube fabrication to become the world leader in aerospace rigid tubes.

Titeflex Aerospace provides customers with complete fluid transfer solutions in flexible, rigid, or flex-rigid hybrid assemblies. Titeflex leads the world in steel braided and para-aramid flexible hose, in addition to producing complex rigid assemblies in various metals. Titeflex assemblies support fuel, hydraulics, lubrication, gases, oxygen, or air in land based turbines, commercial aircraft, military, and space applications.

The Titeflex team provides innovative, advanced technology solutions for our global customers, and complies with the most stringent quality standards.

SERIES: 410

SPECIFICATION: SAE AS620 modified

BRAID: CRES

INNERCORE: PTFE Convoluted

QUALIFICATIONS: SAE AS620 with modified vacuum and flexure requirements.
 TSO C53a Type A, TSO C53a Type C, TSO C75 Type IIA-S/P,
 TSO C75 Type IIA-S/P-F,
 AS1055 Type IIa & IIb, Class A & B,
 Integral and Slip-on Firesleeve

R267 (410 SERIES):

R267 (410 series) is low-pressure PTFE hose for specialized aerospace applications. The hose consists of convoluted (tape wrap) PTFE innercore, reinforced with a single layer of CRES 304 wire braid. The convoluted innercore enables 410 Series hose assemblies to bend to a tighter bend radius, with less force, than smoothbore PTFE hose of similar diameter. Standard fittings are CRES although aluminum is often used in weight critical applications. Operating pressures range from 1000 PSI (69 Bar) for the smaller diameters to 250 PSI (17 Bar) in the larger diameters. Fire protection is available with AS1055 Class A & B integral firesleeve or slip-on AS1072 firesleeve. Chafe sleeves are available in a variety of integral or slip-on materials. Hybrid assemblies combining flex hose with multi-bend tube are a Titeflex specialty and provide improved vibration dampening, ease of installation, and maintenance over strictly rigid tube.



Hose size 8 depicted (Not to scale). Actual hose construction varies by size.

ENGLISH

HOSE SIZE	OPERATING PRESSURE	HOSE ID (MIN)	HOSE OD (MIN)	HOSE OD (MAX)	BRAIDED HOSE WT/1/	BEND RADIUS (MIN) /2/	PROOF PRESSURE	NEGATIVE PRESSURE	ROOM TEMP BURST (MIN)	HIGH TEMP BURST (MIN)
	psi	in	in	in	lb/in	in	psi	in HG	psi	psi
4	1,000	0.29	0.43	0.46	0.007	1.25	2,000	28	4,000	2,850
6	1,000	0.375	0.54	0.57	0.010	2.25	2,000	28	4,000	2,850
8	1,000	0.53	0.76	0.79	0.015	2.875	2,000	28	4,000	2,850
10	1,000	0.62	0.835	0.865	0.018	3	2,000	28	3,500	2,450
12	1,000	0.785	1.045	1.075	0.023	3.75	2,000	28	3,500	2,450
16	1,000	1	1.258	1.3	0.030	5	2,000	22	3,500	2,450
20	1,000	1.24	1.51	1.542	0.040	6.25	2,000	16	3,500	2,450
24	750	1.5	1.765	1.8	0.051	7.5	1,500	12	3,000	2,150
32	250	1.985	2.285	2.325	0.081	10	500	9	1,000	700

NOTES:
 /1/ Over minimum 12 inch length
 /2/ Inside of bend



TITFLEX R267 (410 SERIES)

METRIC

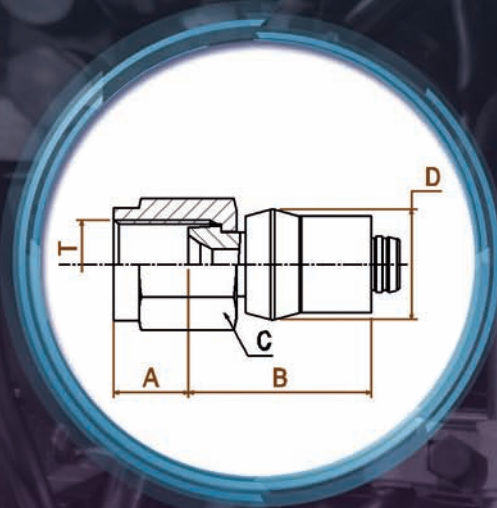
HOSE SIZE	OPERATING PRESSURE	HOSE ID (MIN)	HOSE OD (MIN)	HOSE OD (MAX)	BRAIDED HOSE WT/1/	BEND RADIUS (MIN) /2/	PROOF PRESSURE	NEGATIVE PRESSURE	ROOM TEMP BURST (MIN)	HIGH TEMP BURST (MIN)
	bar	mm	mm	mm	g/m	mm	bar	mm Hg	bar	bar
4	69	7.4	10.9	11.7	119	31.8	138	711	276	197
6	69	9.5	13.7	14.5	179	57.2	138	711	276	197
8	69	13.5	19.3	20.1	268	73	138	711	276	197
10	69	15.7	21.2	22	327	76.2	138	711	241	169
12	69	19.9	26.5	27.3	402	95.3	138	711	241	169
16	69	25.4	32	33	536	127	138	558	241	169
20	69	31.5	38.4	39.2	716	158.8	138	406	241	169
24	52	38.1	44.8	45.7	908	190.5	103	305	207	148
32	17	50.4	58	59.1	1 444	254	34	217	69	48

NOTES:
 /1/ Over minimum 12 inch length
 /2/ Inside of bend

TITEFLEX R267 (410 SERIES) FLARED (JIC) FITTINGS

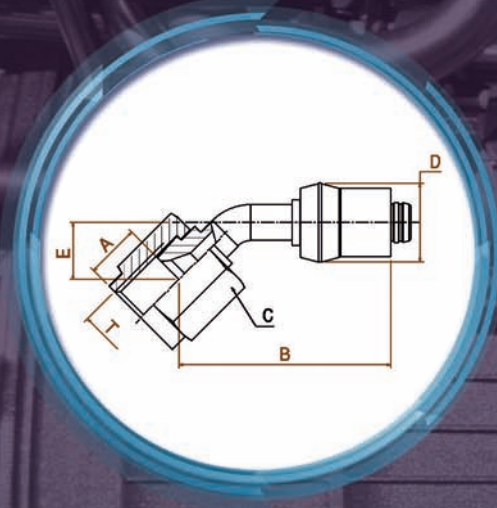
ENGLISH - INCHES

STRAIGHT FLARED FITTINGS - MATES WITH AS33514 / AS33515 AND AS4375 / AS4377



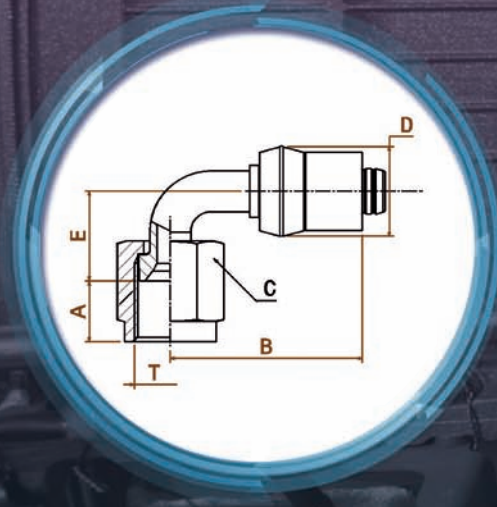
HOSE SIZE	PART NUMBER	NUT THREAD SIZE (T)	NUT ENGAGEMENT LENGTH (A)	REACH MAX (B)	NUT SIZE (C)	COLLAR HEX SIZE (D)	DROP (E)	GAGE POINT (F)	WEIGHT (LB) CRES	WEIGHT (LB) ALUM
4	Y40004-39	.4375-20	0.372	1.050	0.562	0.550	NA	NA	0.06	0.02
6	Y40006-39	.5625-18	0.375	1.280	0.688	0.680	NA	NA	0.10	0.03
8	Y40008-39	.7500-16	0.438	2.440	0.875	0.860	NA	NA	0.16	0.06
10	Y40010-39	.8750-14	0.515	2.580	1.000	0.950	NA	NA	0.25	0.09
12	Y40012-39	1.0625-12	0.562	2.740	1.250	1.280	NA	NA	0.34	0.12
16	Y40016-39	1.3125-12	0.620	1.790	1.500	1.470	NA	NA	0.49	0.17
20	Y40020-25	1.6250-12	0.620	2.295	1.812	1.700	NA	NA	0.90	0.58
24	Y40024-25	1.8750-12	0.765	2.295	2.125	2.000	NA	NA	1.28	0.76
32	Y40032-25	2.5000-12	0.937	2.970	2.750	2.560	NA	NA	2.00	1.21

45° ELBOW FLARED FITTINGS - MATES WITH AS33514 / AS33515 AND AS4375 / AS4377



HOSE SIZE	PART NUMBER	NUT THREAD SIZE (T)	NUT ENGAGEMENT LENGTH (A)	REACH MAX (B)	NUT SIZE (C)	COLLAR HEX SIZE (D)	DROP (E)	GAGE POINT (F)	WEIGHT (LB) CRES	WEIGHT (LB) ALUM
4	Y40104-39	.4375-20	0.372	1.440	0.562	0.550	0.347	NA	0.06	0.02
6	Y40106-39	.5625-18	0.375	1.860	0.688	0.680	0.471	NA	0.10	0.03
8	Y40108-39	.7500-16	0.438	2.180	0.875	0.860	0.572	NA	0.18	0.06
10	Y40110-39	.8750-14	0.515	2.420	1.000	0.950	0.643	NA	0.28	0.10
12	Y40112-39	1.0625-12	0.562	2.770	1.250	1.280	0.680	NA	0.40	0.14
16	Y40116-39	1.3125-12	0.620	3.050	1.500	1.470	0.790	NA	0.60	0.21
20	Y40120-25	1.6250-12	0.620	3.605	1.812	1.700	0.929	NA	0.96	0.64
24	Y40124-25	1.8750-12	0.765	3.945	2.125	2.000	1.051	NA	1.33	0.90
32	Y40132-25	2.5000-12	0.937	4.845	2.750	2.560	1.314	NA	2.31	1.51

90° ELBOW FLARED FITTINGS - MATES WITH AS33514 / AS33515 AND AS4375 / AS4377



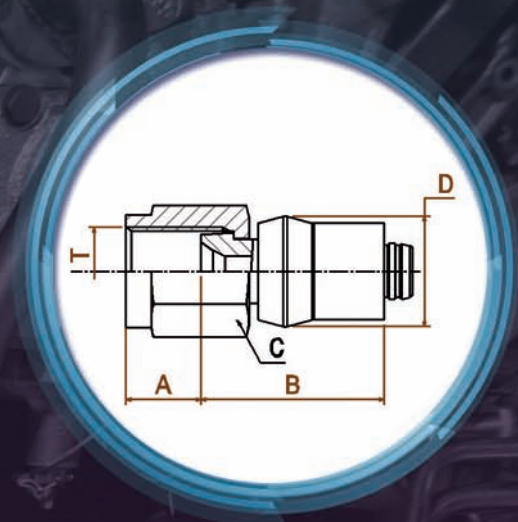
HOSE SIZE	PART NUMBER	NUT THREAD SIZE (T)	NUT ENGAGEMENT LENGTH (A)	REACH MAX (B)	NUT SIZE (C)	COLLAR HEX SIZE (D)	DROP (E)	GAGE POINT (F)	WEIGHT (LB) CRES	WEIGHT (LB) ALUM
4	Y40204-39	.4375-20	0.372	1.240	0.562	0.550	0.642	NA	0.06	0.02
6	Y40206-39	.5625-18	0.375	1.560	0.688	0.680	0.890	NA	0.11	0.04
8	Y40208-39	.7500-16	0.438	1.850	0.875	0.860	1.107	NA	0.19	0.07
10	Y40210-39	.8750-14	0.515	2.000	1.000	0.950	1.281	NA	0.30	0.10
12	Y40212-39	1.0625-12	0.562	2.530	1.250	1.280	1.405	NA	0.42	0.14
16	Y40216-39	1.3125-12	0.620	2.870	1.500	1.470	1.708	NA	0.66	0.23
20	Y40220-25	1.6250-12	0.620	3.395	1.812	1.700	2.042	NA	1.00	0.68
24	Y40224-25	1.8750-12	0.765	3.655	2.125	2.000	2.362	NA	1.40	0.98
32	Y40232-25	2.5000-12	0.937	4.690	2.750	2.560	3.033	NA	2.44	1.65

TITEFLEX R267 (410 SERIES) FLARED (JIC) FITTINGS

METRIC - MILLIMETERS

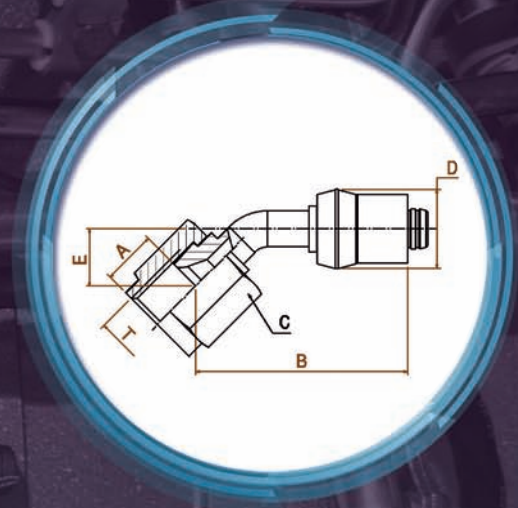
STRAIGHT FLARED FITTINGS - MATES WITH AS33514 / AS33515 AND AS4375 /AS4377

HOSE SIZE	PART NUMBER	NUT THREAD SIZE (T)	NUT ENGAGEMENT LENGTH (A)	REACH MAX (B)	NUT SIZE (C)	COLLAR HEX SIZE (D)	DROP (E)	GAGE POINT (F)	WEIGHT (GRAMS) CRES	WEIGHT (GRAMS) ALUM
4	Y40004-39	.4375-20	9.4	26.7	14.3	14.0	NA	NA	26.0	9.0
6	Y40006-39	.5625-18	9.5	32.5	17.5	17.3	NA	NA	45.0	15.5
8	Y40008-39	.7500-16	11.1	36.6	22.2	21.8	NA	NA	73.0	25.5
10	Y40010-39	.8750-14	13.1	40.1	25.4	24.1	NA	NA	114.0	39.5
12	Y40012-39	1.0625-12	14.3	44.2	31.8	32.5	NA	NA	155.0	53.5
16	Y40016-39	1.3125-12	15.7	45.5	38.1	37.3	NA	NA	222.0	76.5
20	Y40020-25	1.6250-12	15.7	58.3	46.0	43.2	NA	NA	407.0	261.0
24	Y40024-25	1.8750-12	19.4	58.3	54.0	50.8	NA	NA	580.0	344.7
32	Y40032-25	2.5000-12	23.8	75.4	69.9	64.0	NA	NA	906.0	549.0



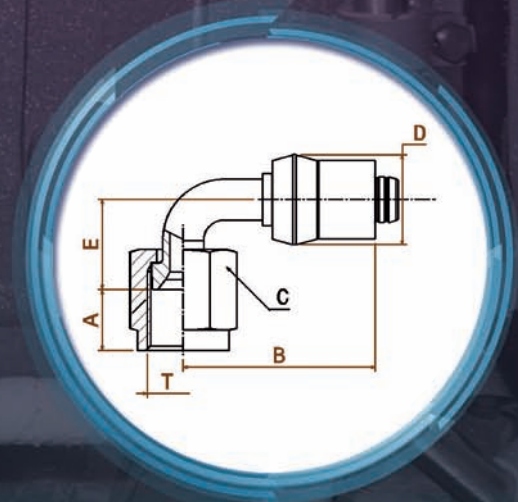
45° ELBOW FLARED FITTINGS - MATES WITH AS33514 / AS33515 AND AS4375 /AS4377

HOSE SIZE	PART NUMBER	NUT THREAD SIZE (T)	NUT ENGAGEMENT LENGTH (A)	REACH MAX (B)	NUT SIZE (C)	COLLAR HEX SIZE (D)	DROP (E)	GAGE POINT (F)	WEIGHT (GRAMS) CRES	WEIGHT (GRAMS) ALUM
4	Y40104-39	.4375-20	9.4	36.6	14.3	14.0	8.8	NA	27.5	9.5
6	Y40106-39	.5625-18	9.5	47.2	17.5	17.3	12.0	NA	45.5	15.8
8	Y40108-39	.7500-16	11.1	55.4	22.2	21.8	14.5	NA	80.0	27.5
10	Y40110-39	.8750-14	13.1	61.5	25.4	24.1	16.3	NA	127.0	44.0
12	Y40112-39	1.0625-12	14.3	70.4	31.8	32.5	17.3	NA	180.0	62.0
16	Y40116-39	1.3125-12	15.7	77.5	38.1	37.3	20.1	NA	272.0	93.5
20	Y40120-25	1.6250-12	15.7	91.6	46.0	43.2	23.6	NA	435.0	290.0
24	Y40124-25	1.8750-12	19.4	100.2	54.0	50.8	26.7	NA	604.0	410.0
32	Y40132-25	2.5000-12	23.8	123.1	69.9	65.0	33.4	NA	1046.0	687.0



90° ELBOW FLARED FITTINGS - MATES WITH AS33514 / AS33515 AND AS4375 /AS4377

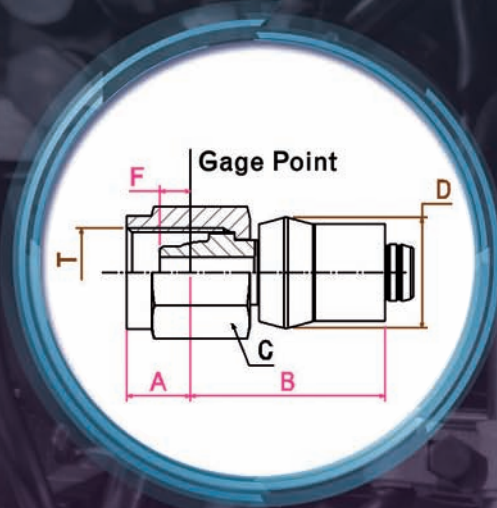
HOSE SIZE	PART NUMBER	NUT THREAD SIZE (T)	NUT ENGAGEMENT LENGTH (A)	REACH MAX (B)	NUT SIZE (C)	COLLAR HEX SIZE (D)	DROP (E)	GAGE POINT (F)	WEIGHT (GRAMS) CRES	WEIGHT (GRAMS) ALUM
4	Y40204-39	.4375-20	9.4	31.5	14.3	14.0	16.3	NA	27.5	9.5
6	Y40206-39	.5625-18	9.5	39.6	17.5	16.5	22.6	NA	51.0	17.5
8	Y40208-39	.7500-16	11.1	47.0	22.2	21.8	28.1	NA	85.0	29.5
10	Y40210-39	.8750-14	13.1	50.8	25.4	24.1	32.5	NA	134.0	46.0
12	Y40212-39	1.0625-12	14.3	64.3	31.8	32.5	35.7	NA	190.0	65.5
16	Y40216-39	1.3125-12	15.7	72.9	38.1	37.3	43.4	NA	298.0	102.5
20	Y40220-39	1.6250-12	15.7	86.2	46.0	43.2	51.9	NA	453.0	307.0
24	Y40224-39	1.8750-12	19.4	92.8	54.0	50.8	60.0	NA	637.0	444.0
32	Y40232-39	2.5000-12	23.8	119.1	69.9	64.9	77.0	NA	1107.0	748.0



TITFLEX R267 (410 SERIES) FLARELESS (NAS) FITTINGS

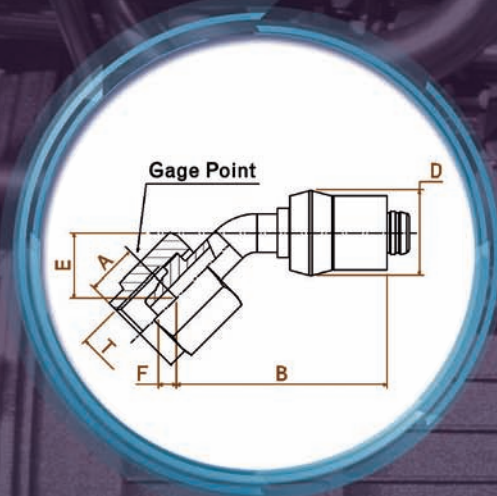
ENGLISH - INCHES

STRAIGHT FLARELESS FITTINGS - MATES WITH AS33514 / AS33515 AND AS4375 / AS4377



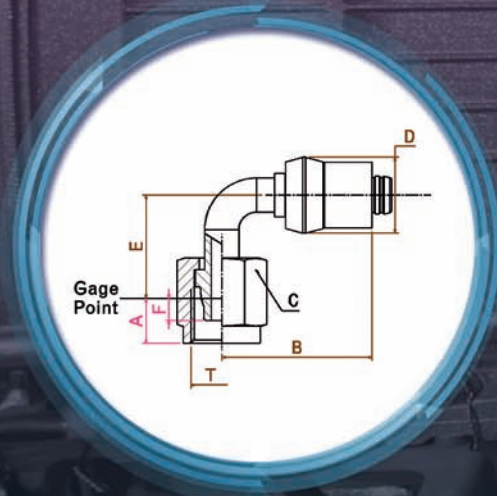
HOSE SIZE	PART NUMBER	NUT THREAD SIZE (T)	NUT ENGAGEMENT LENGTH (A)	REACH MAX (B)	NUT SIZE (C)	COLLAR HEX SIZE (D)	DROP (E)	GAGE POINT (F)	WEIGHT (LB) CRES	WEIGHT (LB) ALUM
4	Y40404-30	.4375-20	0.320	1.110	0.562	0.550	NA	0.155	0.06	0.02
6	Y40406-30	.5625-18	0.326	1.330	0.688	0.680	NA	0.164	0.10	0.04
8	Y40408-30	.7500-16	0.368	1.520	0.875	0.860	NA	0.189	0.17	0.06
10	Y40410-30	.8750-14	0.396	1.710	1.000	0.950	NA	0.201	0.27	0.09
12	Y40412-30	1.0625-12	0.421	1.890	1.250	1.280	NA	0.228	0.37	0.13
16	Y40416-30	1.3125-12	0.425	2.000	1.500	1.470	NA	0.297	0.55	0.19
20	Y40420-30	1.6250-12	0.452	2.475	1.812	1.700	NA	0.300	0.99	0.35
24	Y40424-30	1.8750-12	0.447	2.625	2.125	2.000	NA	0.365	1.36	0.48
32	Y40432-30	2.5000-12	0.312	3.260	2.750	*	NA	0.370	*	*

45° ELBOW FLARELESS FITTINGS - MATES WITH AS33514 / AS33515 AND AS4375 / AS4377



HOSE SIZE	PART NUMBER	NUT THREAD SIZE (T)	NUT ENGAGEMENT LENGTH (A)	REACH MAX (B)	NUT SIZE (C)	COLLAR HEX SIZE (D)	DROP (E)	GAGE POINT (F)	WEIGHT (LB) CRES	WEIGHT (LB) ALUM
4	Y40504-30	.4375-20	0.320	1.520	0.562	0.550	0.419	0.110	0.07	0.03
6	Y40506-30	.5625-18	0.326	1.930	0.688	0.680	0.544	0.116	0.11	0.04
8	Y40508-30	.7500-16	0.368	2.160	0.875	0.860	0.602	0.134	0.18	0.07
10	Y40510-30	.8750-14	0.396	2.540	1.000	0.950	0.735	0.142	0.28	0.10
12	Y40512-30	1.0625-12	0.421	2.870	1.250	1.280	0.735	0.161	0.43	0.15
16	Y40516-30	1.3125-12	0.425	3.190	1.500	1.470	0.936	0.210	0.65	0.22
20	Y40520-30	1.6250-12	0.452	3.700	1.812	1.700	1.050	0.212	1.03	0.37
24	Y40524-30	1.8750-12	0.447	4.030	2.125	2.000	1.277	0.258	1.46	0.53

90° ELBOW FLARELESS FITTINGS - MATES WITH AS33514 / AS33515 AND AS4375 / AS4377



HOSE SIZE	PART NUMBER	NUT THREAD SIZE (T)	NUT ENGAGEMENT LENGTH (A)	REACH MAX (B)	NUT SIZE (C)	COLLAR HEX SIZE (D)	DROP (E)	GAGE POINT (F)	WEIGHT (LB) CRES	WEIGHT (LB) ALUM
4	Y40604-39	.4375-20	0.320	1.240	0.562	0.550	0.744	0.155	0.07	0.03
6	Y40606-39	.5625-18	0.326	1.630	0.688	0.680	0.995	0.164	0.12	0.04
8	Y40608-39	.7500-16	0.368	1.850	0.875	0.860	1.149	0.189	0.20	0.07
10	Y40610-39	.8750-14	0.396	2.190	1.000	0.950	1.411	0.201	0.31	0.11
12	Y40612-39	1.0625-12	0.421	2.610	1.250	1.280	1.485	0.228	0.45	0.15
16	Y40616-39	1.3125-12	0.425	3.030	1.500	1.470	1.914	0.297	0.73	0.25
20	Y40620-39	1.6250-12	0.452	3.400	1.812	1.700	2.222	0.300	1.07	0.42
24	Y40624-39	1.8750-12	0.447	4.660	2.125	2.000	2.690	0.365	1.51	0.57

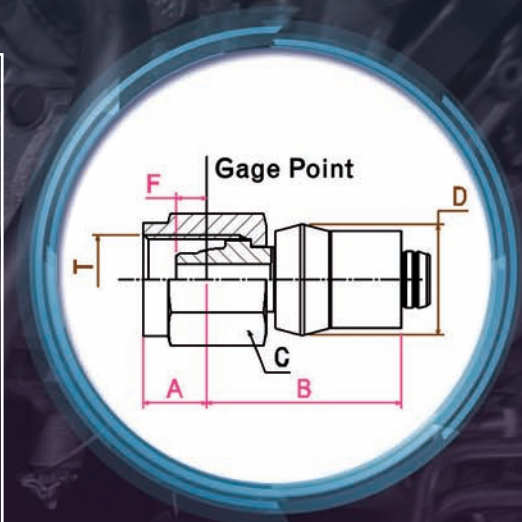
* Contact Titeflex for details.

TITEFLEX R267 (410 SERIES) FLARELESS (NAS) FITTINGS

METRIC - MILLIMETERS

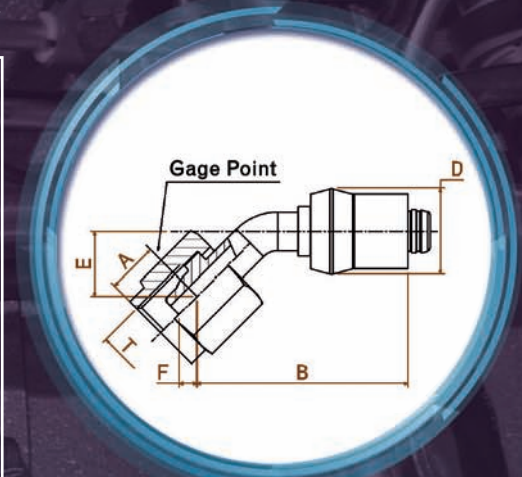
STRAIGHT FLARELESS FITTINGS - MATES WITH AS33514 / AS33515 AND AS4375 /AS4377

HOSE SIZE	PART NUMBER	NUT THREAD SIZE (T)	NUT ENGAGEMENT LENGTH (A)	REACH MAX (B)	NUT SIZE (C)	COLLAR HEX SIZE (D)	DROP (E)	GAGE POINT (F)	WEIGHT (LB) CRES	WEIGHT (LB) ALUM
4	Y40404-30	.4375-20	8.1	28.2	14.3	14.0	NA	3.937	28.0	9.0
6	Y40406-30	.5625-18	8.3	33.8	17.5	17.3	NA	4.166	47.5	16.0
8	Y40408-30	.7500-16	9.3	38.6	22.2	21.8	NA	4.801	79.0	27.0
10	Y40410-30	.8750-14	10.1	43.4	25.4	24.1	NA	5.105	122.5	40.5
12	Y40412-30	1.0625-12	10.7	48.0	31.8	32.5	NA	5.791	167.5	59.0
16	Y40416-30	1.3125-12	10.8	50.8	38.1	37.3	NA	7.544	251.0	86.0
20	Y40420-30	1.6250-12	11.5	62.9	46.0	43.2	NA	7.620	447.0	157.0
24	Y40424-30	1.8750-12	11.4	66.7	54.0	50.8	NA	9.271	618.0	218.0
32	Y40432-30	2.5000-12	7.9	82.8	69.9	*	NA	9.398	*	*



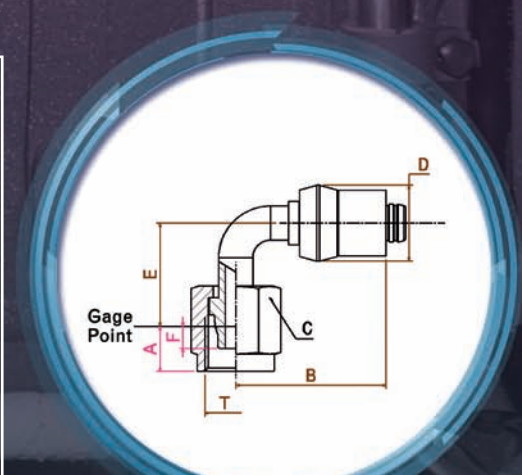
45° ELBOW FLARELESS FITTINGS - MATES WITH AS33514 / AS33515 AND AS4375 /AS4377

HOSE SIZE	PART NUMBER	NUT THREAD SIZE (T)	NUT ENGAGEMENT LENGTH (A)	REACH MAX (B)	NUT SIZE (C)	COLLAR HEX SIZE (D)	DROP (E)	GAGE POINT (F)	WEIGHT (LB) CRES	WEIGHT (LB) ALUM
4	Y40504-30	.4375-20	8.1	38.6	14.3	14.0	10.6	2.794	31.5	11.5
6	Y40506-30	.5625-18	8.3	49.0	17.5	17.3	13.8	2.946	50.0	18.0
8	Y40508-30	.7500-16	9.3	54.9	22.2	21.8	15.3	3.404	81.5	29.5
10	Y40510-30	.8750-14	10.1	64.5	25.4	24.1	18.7	3.607	129.0	45.5
12	Y40512-30	1.0625-12	10.7	72.9	31.8	32.5	18.7	4.089	195.0	68.0
16	Y40516-30	1.3125-12	10.8	81.0	38.1	37.3	23.8	5.334	295.4	102.0
20	Y40520-30	1.6250-12	11.5	94.0	46.0	43.2	26.7	5.385	465.0	170.0
24	Y40524-30	1.8750-12	11.4	102.4	54.0	50.8	32.4	6.553	660.0	240.0



90° ELBOW FLARELESS FITTINGS - MATES WITH AS33514 / AS33515 AND AS4375 /AS4377

HOSE SIZE	PART NUMBER	NUT THREAD SIZE (T)	NUT ENGAGEMENT LENGTH (A)	REACH MAX (B)	NUT SIZE (C)	COLLAR HEX SIZE (D)	DROP (E)	GAGE POINT (F)	WEIGHT (LB) CRES	WEIGHT (LB) ALUM
4	Y40604-30	.4375-20	8.1	31.5	14.3	14.0	18.9	3.937	31.5	11.5
6	Y40606-30	.5625-18	8.3	41.4	17.5	17.3	25.3	1.166	54.5	18.0
8	Y40608-30	.7500-16	9.3	47.0	22.2	21.8	29.2	4.801	88.5	31.5
10	Y40610-30	.8750-14	10.1	55.6	25.4	24.1	35.8	5.105	140.0	50.0
12	Y40612-30	1.0625-12	10.7	66.3	31.8	32.5	37.7	5.791	204.0	70.0
16	Y40616-30	1.3125-12	10.8	77.0	38.1	37.3	48.6	7.544	333.0	115.5
20	Y40620-30	1.6250-12	11.5	86.4	46.0	43.2	56.4	7.620	485.0	190.0
24	Y40624-30	1.8750-12	11.4	93.0	54.0	50.8	68.3	9.271	685.0	260.0



* Contact Titeflex for details.

SERIES: 480

SPECIFICATION: SAE AS620

BRAID: CRES

INNERCORE: PTFE Convoluted

QUALIFICATIONS: SAE AS620,
TSO C53a Type A,
TSO C53a Type C, TSO C75 Type IIA-S/P, TSO C75 Type IIA-S/P-F
AS1055 Type Ila & I Ib, Class A & B,
Integral and Slip-on Firesleeve

R367 (480 SERIES):

R367 (480 series) is a medium pressure aerospace hose assembly qualified to AS620. It consists of a helically convoluted (tape wrap) PTFE innercore, reinforced with a CRES 304 wire braid. The convoluted innercore enables the 480 Series to bend to a tighter radius, with less force, than smooth bore PTFE hose of similar diameter. Operating pressures range from 1000 PSI (69 Bar) in small diameters, to 250 PSI (17 Bar) in the largest diameter. PTFE provides excellent chemical resistance over a temperature range of -65°F to +400°F (-54°C to +204°C) with an unlimited shelf life. Fire protection per AS1055 Class A & B can be either integral or slip-on AS1072 firesleeve. Qualified standard fittings are CRES, although aluminum is commonly used in weight critical applications. Chafe sleeves are available in a variety of integral or slip-on materials. Hybrid assemblies combining flex hose with multi-bend tube are a Titeflex specialty and provide improved vibration dampening, ease of installation and maintenance over strictly rigid tube.



Hose size 8 depicted (Not to scale). Actual hose construction varies by size.

ENGLISH

HOSE SIZE	OPERATING PRESSURE	HOSE ID (MIN)	HOSE OD (MIN)	HOSE OD (MAX)	BRAIDED HOSE WT/1/	BEND RADIUS (MIN) /2/	PROOF PRESSURE	NEGATIVE PRESSURE	ROOM TEMP BURST (MIN)	HIGH TEMP BURST (MIN)
	psi	in	in	in	lb/in	in	psi	in HG	psi	psi
10	1,000	0.6	0.85	.882	0.02	3	1,800	28	3,600	2,500
12	1,000	0.765	1.06	1.092	0.027	3.75	1,800	28	3,600	2,500
20	1,000	0.835	1.7	1.558	0.04	5	1,800	23	3,600	2,500

NOTES:
/1/ Over minimum 12 inch length
/2/ Inside of bend



TITFLEX R367 (480 SERIES)

METRIC

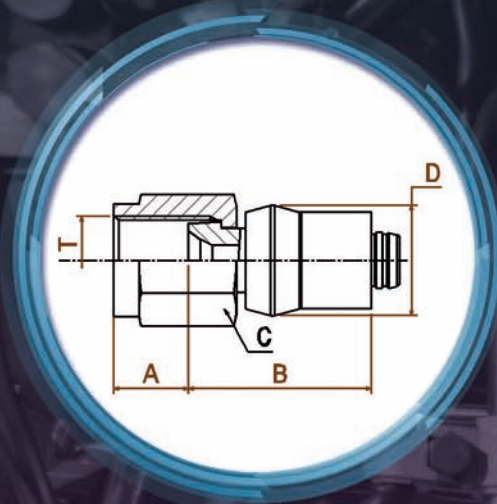
HOSE SIZE	OPERATING PRESSURE	HOSE ID (MIN)	HOSE OD (MIN)	HOSE OD (MAX)	BRAIDED HOSE WT/1/	BEND RADIUS (MIN) /2/	PROOF PRESSURE	NEGATIVE PRESSURE	ROOM TEMP BURST (MIN)	HIGH TEMP BURST (MIN)
	bar	mm	mm	mm	g/m	mm	bar	mm HG	bar	bar
10	69	15.2	21.6	22	357	76.2	124	711.2	248	172
12	69	19.4	26.9	27	482	95.3	124	711.2	248	172
20	69	21.2	43.2	43	714	127	124	584.2	248	172

NOTES:
 /1/ Over minimum 12 inch length
 /2/ Inside of bend

TITEFLEX R367 (480 SERIES) FLARED (JIC) FITTINGS

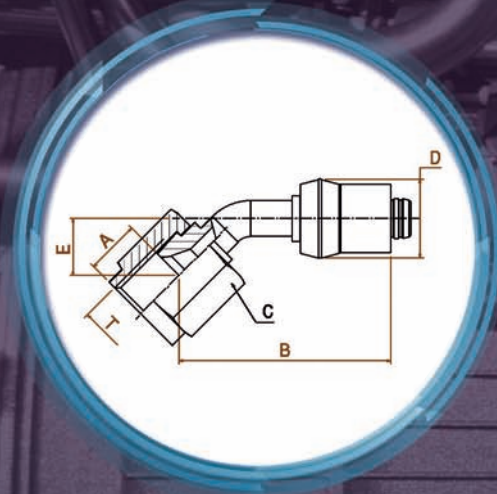
ENGLISH - INCHES

STRAIGHT FLARED FITTINGS - MATES WITH AS33656 / AS4395 AND AS33657 / AS4396



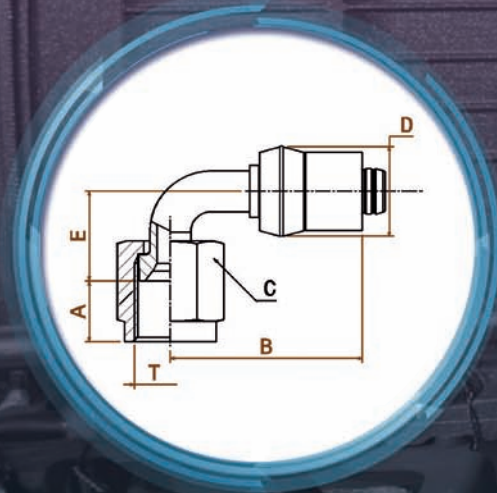
HOSE SIZE	PART NUMBER	NUT THREAD SIZE (T)	NUT ENGAGEMENT LENGTH (A)	REACH MAX (B)	NUT SIZE (C)	COLLAR HEX SIZE (D)	DROP (E)	GAGE POINT (F)	WEIGHT (LB) CRES	WEIGHT (LB) ALUM
4	Y40004-83	.4375-20	0.372	1.200	0.562	0.550	NA	NA	0.06	0.04
6	Y40006-83	.5625-18	0.375	1.280	0.688	0.680	NA	NA	0.10	0.04
8	Y40008-83	.7500-16	0.438	1.440	0.875	0.860	NA	NA	0.16	0.06
10	Y40010-83	.8750-14	0.515	1.580	1.000	0.950	NA	NA	0.25	0.09
12	Y40012-83	1.0625-12	0.562	1.740	1.250	1.280	NA	NA	0.34	0.12
16	Y40016-83	1.3125-12	0.620	1.790	1.500	1.470	NA	NA	0.49	0.21
20	Y40020-83	1.6250-12	0.620	2.290	1.812	1.700	NA	NA	0.90	0.36
24	Y40024-83	1.8750-12	0.765	2.380	2.125	2.000	NA	NA	1.28	0.76

45° ELBOW FLARED FITTINGS - MATES WITH AS33656 / AS4395 AND AS33657 / AS4396



HOSE SIZE	PART NUMBER	NUT THREAD SIZE (T)	NUT ENGAGEMENT LENGTH (A)	REACH MAX (B)	NUT SIZE (C)	COLLAR HEX SIZE (D)	DROP (E)	GAGE POINT (F)	WEIGHT (LB) CRES	WEIGHT (LB) ALUM
4	Y40104-83	.4375-20	0.372	1.620	0.562	0.550	0.347	NA	0.06	0.04
6	Y40106-83	.5625-18	0.375	1.860	0.688	0.680	0.471	NA	0.10	0.04
8	Y40108-83	.7500-16	0.438	2.180	0.875	0.860	0.572	NA	0.18	0.07
10	Y40110-83	.8750-14	0.515	2.420	1.000	0.950	0.643	NA	0.23	0.10
12	Y40112-83	1.0625-12	0.562	2.770	1.250	1.280	0.680	NA	0.40	0.14
16	Y40116-83	1.3125-12	0.620	3.050	1.500	1.470	0.790	NA	0.60	0.23
20	Y40120-83	1.6250-12	0.620	3.680	1.812	1.700	1.929	NA	.96	0.35
24	Y40124-83	1.8750-12	0.765	3.950	2.125	2.000	1.051	NA	1.33	0.91

90° ELBOW FLARED FITTINGS - MATES WITH AS33656 / AS4395 AND AS33657 / AS4396



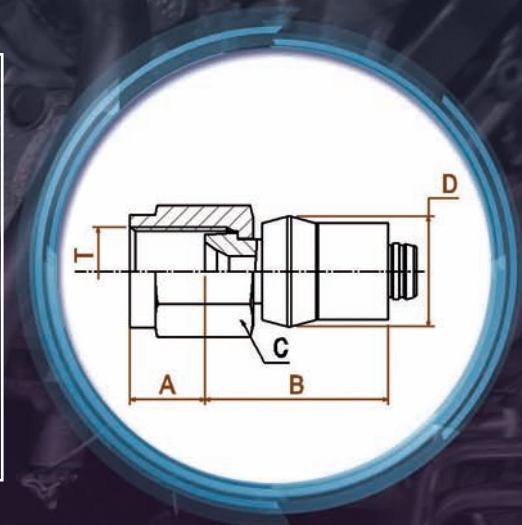
HOSE SIZE	PART NUMBER	NUT THREAD SIZE (T)	NUT ENGAGEMENT LENGTH (A)	REACH MAX (B)	NUT SIZE (C)	COLLAR HEX SIZE (D)	DROP (E)	GAGE POINT (F)	WEIGHT (LB) CRES	WEIGHT (LB) ALUM
4	Y40204-83	.4375-20	0.372	1.360	0.562	0.550	0.642	NA	0.06	0.04
6	Y40206-83	.5625-18	0.375	1.560	0.688	0.680	0.890	NA	0.12	0.04
8	Y40208-83	.7500-16	0.438	1.850	0.875	0.860	1.107	NA	0.19	0.07
10	Y40210-83	.8750-14	0.515	2.190	1.000	0.950	1.281	NA	0.30	0.11
12	Y40212-83	1.0625-12	0.562	2.670	1.250	1.280	1.405	NA	0.42	0.15
16	Y40216-83	1.3125-12	0.620	2.870	1.500	1.470	1.708	NA	0.66	0.26
20	Y40220-83	1.6250-12	0.620	3.390	1.812	1.700	2.050	NA	1.00	0.40
24	Y40224-83	1.8750-12	0.765	3.650	2.125	2.000	2.370	NA	1.41	0.99

TITEFLEX R367 (480 SERIES) FLARED (JIC) FITTINGS

METRIC - MILLIMETERS

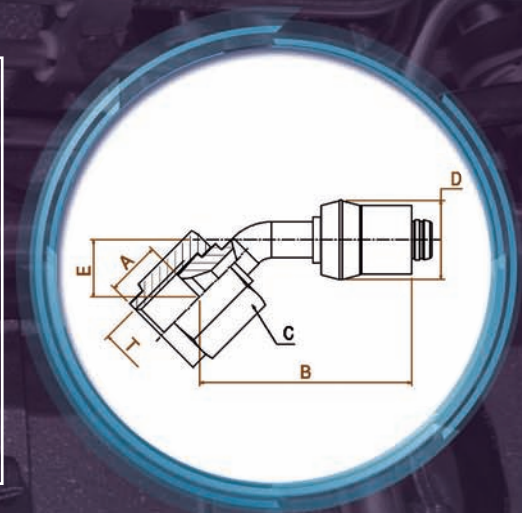
STRAIGHT FLARED FITTINGS - MATES WITH AS33656 / AS4395 AND AS33657 / AS4396

HOSE SIZE	PART NUMBER	NUT THREAD SIZE (T)	NUT ENGAGEMENT LENGTH (A)	REACH MAX (B)	NUT SIZE (C)	COLLAR HEX SIZE (D)	DROP (E)	GAGE POINT (F)	WEIGHT (GRAMS) CRES	WEIGHT (GRAMS) ALUM
4	Y40004-83	.4375-20	9.4	30.5	14.3	14.0	NA	NA	26.0	18.1
6	Y40006-83	.5625-18	9.5	32.5	17.5	17.3	NA	NA	45.0	18.1
8	Y40008-83	.7500-16	11.1	36.6	22.2	21.8	NA	NA	73.0	25.5
10	Y40010-83	.8750-14	13.1	40.1	25.4	24.1	NA	NA	114.0	39.5
12	Y40012-83	1.0625-12	14.3	44.2	31.8	32.5	NA	NA	155.0	53.5
16	Y40016-83	1.3125-12	15.7	45.5	38.1	37.3	NA	NA	222.0	95.3
20	Y40020-83	1.6250-12	15.7	58.2	46.0	43.2	NA	NA	407.0	163.3
24	Y40024-83	1.8750-12	19.4	60.5	54.0	50.8	NA	NA	580.0	344.7



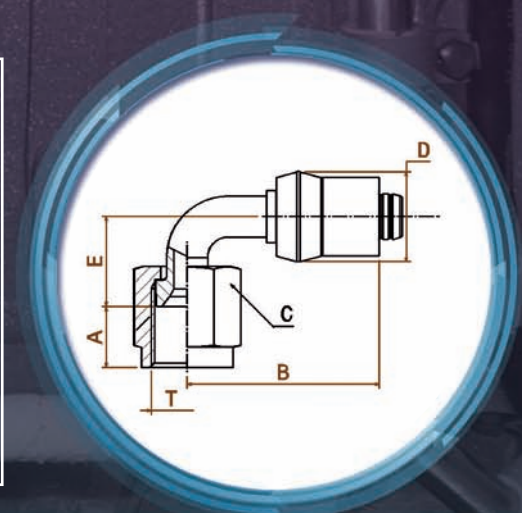
45° ELBOW FLARED FITTINGS - MATES WITH AS33656 / AS4395 AND AS33657 / AS4396

HOSE SIZE	PART NUMBER	NUT THREAD SIZE (T)	NUT ENGAGEMENT LENGTH (A)	REACH MAX (B)	NUT SIZE (C)	COLLAR HEX SIZE (D)	DROP (E)	GAGE POINT (F)	WEIGHT (LB) CRES	WEIGHT (LB) ALUM
4	Y40104-83	.4375-20	9.4	41.1	14.3	14.0	8.8	NA	27.5	18.1
6	Y40106-83	.5625-18	9.5	47.2	17.5	17.3	12.0	NA	45.5	18.1
8	Y40108-83	.7500-16	11.1	55.4	22.2	21.8	14.5	NA	80.0	31.8
10	Y40110-83	.8750-14	13.1	61.5	25.4	24.1	16.3	NA	104.3	44.0
12	Y40112-83	1.0625-12	14.3	70.4	31.8	32.5	17.3	NA	180.0	62.0
16	Y40116-83	1.3125-12	15.7	77.5	38.1	37.3	20.1	NA	272.0	104.3
20	Y40120-83	1.6250-12	15.7	93.5	46.0	43.2	23.6	NA	435.0	158.8
24	Y40124-83	1.8750-12	19.4	100.3	54.0	50.8	26.7	NA	604.0	412.8



90° ELBOW FLARED FITTINGS - MATES WITH AS33656 / AS4395 AND AS33657 / AS4396

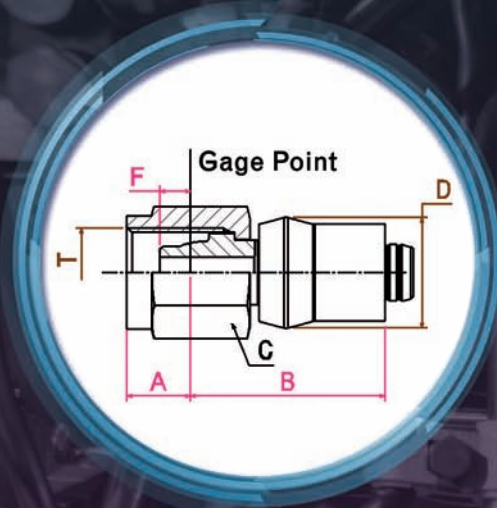
HOSE SIZE	PART NUMBER	NUT THREAD SIZE (T)	NUT ENGAGEMENT LENGTH (A)	REACH MAX (B)	NUT SIZE (C)	COLLAR HEX SIZE (D)	DROP (E)	GAGE POINT (F)	WEIGHT (LB) CRES	WEIGHT (LB) ALUM
4	Y40204-83	.4375-20	9.4	34.5	14.3	14.0	16.3	NA	27.5	18.1
6	Y40206-83	.5625-18	9.5	39.6	17.5	17.3	22.6	NA	54.4	17.5
8	Y40208-83	.7500-16	11.1	47.0	22.2	21.8	28.1	NA	85.0	29.5
10	Y40210-83	.8750-14	13.1	55.6	25.4	24.1	32.5	NA	134.0	49.9
12	Y40212-83	1.0625-12	14.3	67.8	31.8	32.5	35.7	NA	190.0	68.0
16	Y40216-83	1.3125-12	15.7	72.9	38.1	37.3	43.4	NA	298.0	117.9
20	Y40220-83	1.6250-12	15.7	86.1	46.0	43.2	52.1	NA	453.0	181.4
24	Y40224-83	1.8750-12	19.4	92.7	54.0	50.8	60.2	NA	639.6	449.1



TITEFLEX R367 (480 SERIES) FLARELESS (NAS) FITTINGS

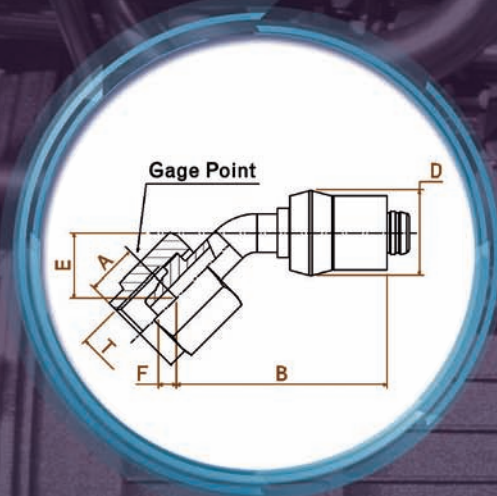
ENGLISH - INCHES

STRAIGHT FLARELESS FITTINGS - MATES WITH AS33514 / AS33515 AND AS4375 / AS4377



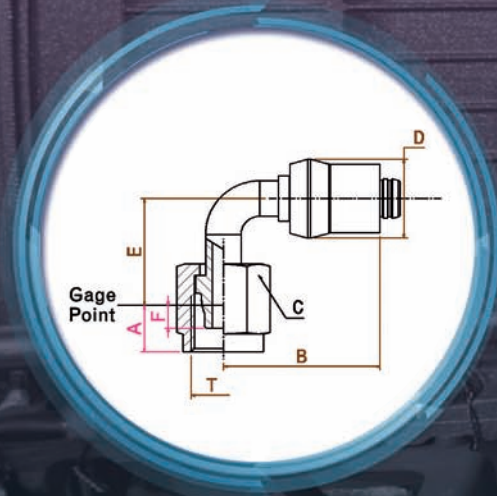
HOSE SIZE	PART NUMBER	NUT THREAD SIZE (T)	NUT ENGAGEMENT LENGTH (A)	REACH MAX (B)	NUT SIZE (C)	COLLAR HEX SIZE (D)	DROP (E)	GAGE POINT (F)	WEIGHT (LB) CRES	WEIGHT (LB) ALUM
4	Y40404-83	.4375-20	0.320	1.260	0.562	0.550	NA	0.155	0.07	0.02
6	Y40406-83	.5625-18	0.326	1.340	0.688	0.680	NA	0.164	0.11	0.04
8	Y40408-83	.7500-16	0.368	1.520	0.875	0.860	NA	0.189	0.18	0.06
10	Y40410-83	.8750-14	0.396	1.710	1.000	0.950	NA	0.201	0.27	0.09
12	Y40412-83	1.0625-12	0.421	1.890	1.250	1.280	NA	0.228	0.37	0.13
16	Y40416-83	1.3125-12	0.425	2.000	1.500	1.470	NA	0.297	0.56	0.19
20	Y40420-83	1.6250-12	0.452	2.530	1.812	1.700	NA	0.300	0.98	0.35
24	Y40424-83	1.8750-12	0.447	2.690	2.125	2.000	NA	0.365	1.48	0.52

45° ELBOW FLARELESS FITTINGS - MATES WITH AS33514 / AS33515 AND AS4375 / AS4377



HOSE SIZE	PART NUMBER	NUT THREAD SIZE (T)	NUT ENGAGEMENT LENGTH (A)	REACH MAX (B)	NUT SIZE (C)	COLLAR HEX SIZE (D)	DROP (E)	GAGE POINT (F)	WEIGHT (LB) CRES	WEIGHT (LB) ALUM
4	Y40504-83	.4375-20	0.320	1.660	0.562	0.550	0.418	0.110	0.07	0.03
6	Y40506-83	.5625-18	0.326	1.930	0.688	0.680	0.544	0.116	0.11	0.04
8	Y40508-83	.7500-16	0.368	2.160	0.875	0.860	0.602	0.134	0.18	0.07
10	Y40510-83	.8750-14	0.396	2.550	1.000	0.950	0.735	0.142	0.29	0.10
12	Y40512-83	1.0625-12	0.421	2.870	1.250	1.280	0.735	0.161	0.43	0.15
16	Y40516-83	1.3125-12	0.425	3.190	1.500	1.470	0.936	0.210	0.65	0.20
20	Y40520-83	1.6250-12	0.452	4.020	1.812	1.700	1.056	0.210	1.09	0.38
24	Y40524-83	1.8750-12	0.447	4.570	2.125	2.000	1.276	0.258	1.63	0.57

90° ELBOW FLARELESS FITTINGS - MATES WITH AS33514 / AS33515 AND AS4375 / AS4377



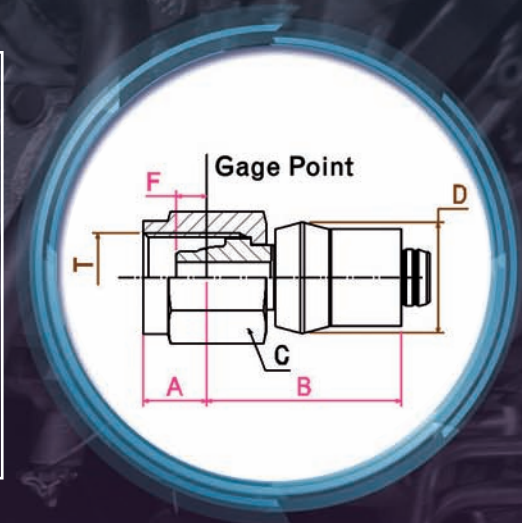
HOSE SIZE	PART NUMBER	NUT THREAD SIZE (T)	NUT ENGAGEMENT LENGTH (A)	REACH MAX (B)	NUT SIZE (C)	COLLAR HEX SIZE (D)	DROP (E)	GAGE POINT (F)	WEIGHT (LB) CRES	WEIGHT (LB) ALUM
4	Y40604-83	.4375-20	0.320	1.360	0.562	0.550	0.744	0.155	0.07	0.03
6	Y40606-83	.5625-18	0.326	1.630	0.688	0.680	0.995	0.164	0.12	0.04
8	Y40608-83	.7500-16	0.368	1.850	0.875	0.860	1.149	0.189	0.20	0.07
10	Y40610-83	.8750-14	0.396	2.200	1.000	0.950	1.411	0.201	0.31	0.11
12	Y40612-83	1.0625-12	0.421	2.670	1.250	1.280	1.485	0.228	0.45	0.16
16	Y40616-83	1.3125-12	0.425	3.030	1.500	1.470	1.915	0.297	0.74	0.22
20	Y40620-83	1.6250-12	0.452	3.890	1.812	1.700	2.222	0.300	1.20	0.40
24	Y40624-83	1.8750-12	0.447	4.150	2.125	2.000	2.690	0.365	1.74	0.60

TITEFLEX R367 (480 SERIES) FLARELESS (NAS) FITTINGS

METRIC - MILLIMETERS

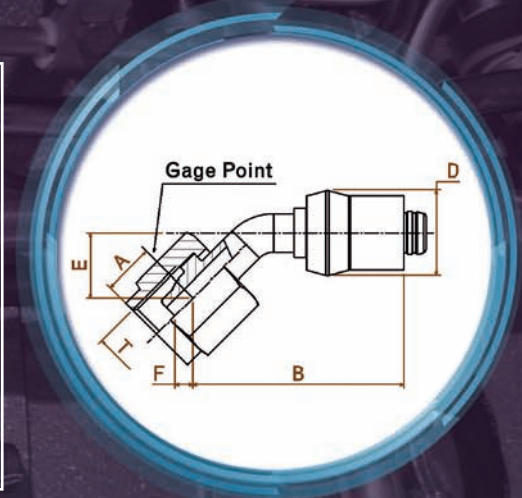
STRAIGHT FLARELESS FITTINGS - MATES WITH AS33514/AS33515 & AS4375/AS4377

HOSE SIZE	PART NUMBER	NUT THREAD SIZE (T)	NUT ENGAGEMENT LENGTH (A)	REACH MAX (B)	NUT SIZE (C)	COLLAR HEX SIZE (D)	DROP (E)	GAGE POINT (F)	WEIGHT (GRAMS) CRES	WEIGHT (GRAMS) ALUM
4	Y40404-83	.4375-20	9.4	30.5	14.3	14.0	NA	3.937	31.8	9.1
6	Y40406-83	.5625-18	9.5	32.5	17.5	17.3	NA	4.166	49.9	18.1
8	Y40408-83	.7500-16	11.1	36.6	22.2	21.8	NA	4.801	81.6	27.2
10	Y40410-83	.8750-14	13.1	40.1	25.4	24.1	NA	5.105	122.5	40.8
12	Y40412-83	1.0625-12	14.3	44.2	31.8	32.5	NA	5.791	167.8	59.0
16	Y40416-83	1.3125-12	15.7	45.5	38.1	37.3	NA	7.544	254.0	86.2
20	Y40420-83	1.6250-12	15.7	58.2	46.0	43.2	NA	7.620	444.5	158.8
24	Y40424-83	1.8750-12	19.4	60.5	54.0	50.8	NA	9.271	671.3	235.9



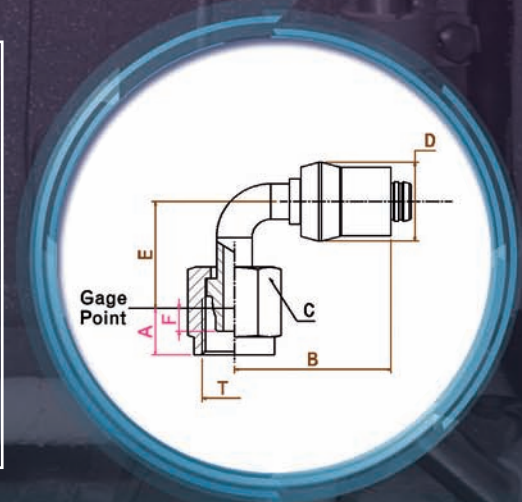
45° ELBOW FLARELESS FITTINGS - MATES WITH AS33514 / AS33515 AND AS4375 /AS4377

HOSE SIZE	PART NUMBER	NUT THREAD SIZE (T)	NUT ENGAGEMENT LENGTH (A)	REACH MAX (B)	NUT SIZE (C)	COLLAR HEX SIZE (D)	DROP (E)	GAGE POINT (F)	WEIGHT (LB) CRES	WEIGHT (LB) ALUM
4	Y40504-83	.4375-20	8.1	42.2	14.3	14.0	10.6	2.794	31.8	13.6
6	Y40506-83	.5625-18	8.3	49.0	17.5	17.3	13.8	2.946	49.9	18.1
8	Y40508-83	.7500-16	9.3	54.9	22.2	21.8	15.3	3.404	81.6	31.8
10	Y40510-83	.8750-14	10.1	64.8	25.4	24.1	18.7	3.607	131.5	45.4
12	Y40512-83	1.0625-12	10.7	72.9	31.8	32.5	18.7	4.089	195.0	68.0
16	Y40516-83	1.3125-12	10.8	81.0	38.1	37.3	23.8	5.334	294.8	90.7
20	Y40520-83	1.6250-12	11.5	102.1	46.0	43.2	26.8	5.334	494.4	172.4
24	Y40524-83	1.8750-12	11.4	116.1	54.0	50.8	32.4	6.553	739.4	258.5



90° ELBOW FLARELESS FITTINGS - MATES WITH AS33514 / AS33515 AND AS4375 /AS4377

HOSE SIZE	PART NUMBER	NUT THREAD SIZE (T)	NUT ENGAGEMENT LENGTH (A)	REACH MAX (B)	NUT SIZE (C)	COLLAR HEX SIZE (D)	DROP (E)	GAGE POINT (F)	WEIGHT (LB) CRES	WEIGHT (LB) ALUM
4	Y40604-83	.4375-20	8.1	34.5	14.3	14.0	18.9	3.937	31.8	13.6
6	Y40606-83	.5625-18	8.3	41.4	17.5	17.3	25.3	4.166	54.5	18.1
8	Y40608-83	.7500-16	9.3	47.0	22.2	21.8	29.2	4.801	90.7	31.8
10	Y40610-83	.8750-14	10.1	55.9	25.4	24.1	35.8	5.105	140.6	49.9
12	Y40612-83	1.0625-12	10.7	67.8	31.8	32.5	37.7	5.791	204.1	72.6
16	Y40616-83	1.3125-12	10.8	77.0	38.1	37.3	48.6	7.544	335.7	99.8
20	Y40620-83	1.6250-12	11.5	98.8	46.0	43.2	56.4	7.620	544.3	181.4
24	Y40624-83	1.8750-12	11.4	105.4	54.0	50.8	68.3	9.271	789.3	272.2



SERIES: 510
SPECIFICATION: None
BRAID: Nomex®
INNERCORE: PTFE Convoluted
QUALIFICATIONS: Qualified to numerous aerospace application specific requirements.

R270 (510 SERIES):

510 Series: low-pressure PTFE hose with non-metallic braid for specialized aerospace applications. The hose consists of convoluted (tape wrap) PTFE innercore, similar to the 410 Series, except the 510 Series is reinforced with a braid of Nomex® instead of CRES. This construction provides an exceptionally tight bend radius, and light weight. Standard fittings are aluminum. Operating pressures range from 300 PSI (21 Bar) in the smaller diameters to 200 PSI (14 Bar) in the larger diameters. Fire protection is available with AS1055 Class A slip-on AS1072 firesleeve. Popular applications for the 510 Series include breathing oxygen, and electronic cooling fluids. Hybrid assemblies combining flex hose with multi-bend tube are a Titeflex specialty and provide improved vibration dampening, ease of installation, and maintenance over strictly rigid tube.



Hose size 8 depicted (Not to scale). Actual hose construction varies by size.

ENGLISH

HOSE SIZE	OPERATING PRESSURE	HOSE ID (MIN)	HOSE OD (MIN)	HOSE OD (MAX)	BRAIDED HOSE WT/1/	BEND RADIUS (MIN) /2/	PROOF PRESSURE	NEGATIVE PRESSURE	ROOM TEMP BURST (MIN)	HIGH TEMP BURST (MIN)
	psi	in	in	in	lb/in	in	psi	in HG	psi	psi
4	300	0.28	0.44	0.465	0.004	0.5	600	28	1,200	900
6	300	0.362	0.54	0.57	0.005	0.75	600	28	1,200	900
8	250	0.518	0.74	0.77	0.01	1	500	28	1,000	750
10	250	0.605	0.825	0.86	0.011	1.5	500	28	1,000	750
12	200	0.77	1.055	1.09	0.015	2.0	400	28	800	600
16	200	0.985	1.27	1.31	0.02	3	400	9	800	600

NOTES:
 /1/ Over minimum 12 inch length
 /2/ Inside of bend



TITFLEX R270 (510 SERIES)

METRIC

HOSE SIZE	OPERATING PRESSURE	HOSE ID (MIN)	HOSE OD (MIN)	HOSE OD (MAX)	BRAIDED HOSE WT/1/	BEND RADIUS (MIN) /2/	PROOF PRESSURE	NEGATIVE PRESSURE	ROOM TEMP BURST (MIN)	HIGH TEMP BURST (MIN)
	bar	mm	mm	mm	g/m	mm	bar	mm HG	bar	bar
4	21	7.1	11.2	11.8	67	12.7	41	711	83	63
6	21	9.2	13.7	14.5	91	19.1	41	711	83	63
8	17	13.2	18.8	19.6	185	25.4	34	711	69	52
10	17	15.4	21	21.8	202	38.1	34	711	69	52
12	14	19.6	26.8	27.7	274	50.8	28	711	55	41
16	14	25	32.3	33.3	357	76.2	28	217	55	41

NOTES:

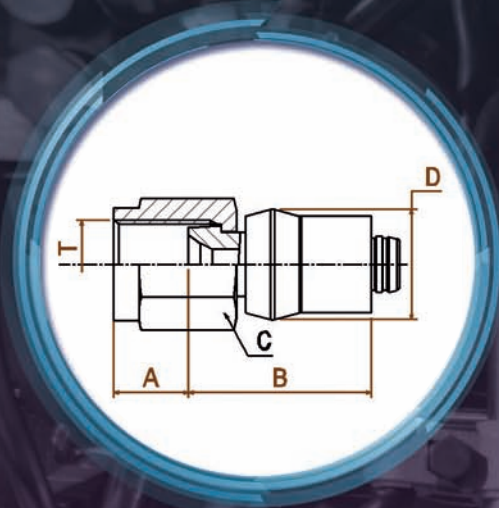
/1/ Over minimum 12 inch length

/2/ Inside of bend

TITEFLEX R270 (510 SERIES) FLARED (JIC) FITTINGS

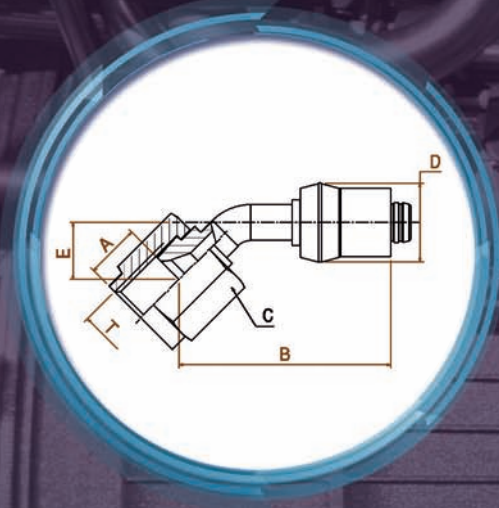
ENGLISH - INCHES

STRAIGHT FLARED FITTINGS - MATES WITH AS33656/AS33395 & AS33657/AS4396



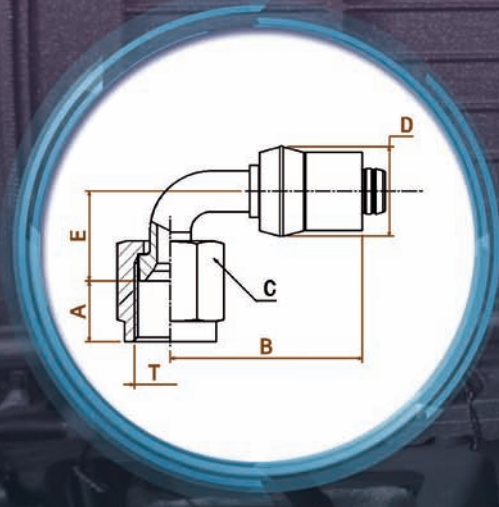
HOSE SIZE	PART NUMBER	NUT THREAD SIZE (T)	NUT ENGAGEMENT LENGTH (A)	REACH MAX (B)	NUT SIZE (C)	COLLAR HEX SIZE (D)	DROP (E)	GAGE POINT (F)	WEIGHT (LB) CRES	WEIGHT (LB) ALUM
4	Y40004-39	.4375-20	0.372	1.050	0.562	0.550	NA	NA	0.06	0.02
6	Y40006-39	.5625-18	0.375	1.280	0.688	0.650	NA	NA	0.10	0.03
8	Y40008-39	.7500-16	0.438	1.440	0.875	0.860	NA	NA	0.16	0.06
10	Y40010-39	.8750-14	0.515	1.580	1.000	0.950	NA	NA	0.25	0.09
12	Y40012-39	1.0625-12	0.562	1.740	1.250	1.280	NA	NA	0.34	0.12
16	Y40016-39	1.3125-12	0.620	1.790	1.500	1.470	NA	NA	0.49	0.17
20	Y40020-39	1.6250-12	0.620	2.295	1.812	1.700	NA	NA	0.90	0.58
24	Y40024-39	1.8750-12	0.765	2.295	2.125	2.000	NA	NA	1.28	0.76
32	Y40032-39	2.5000-12	0.937	2.970	2.750	2.560	NA	NA	2.00	1.21

45° ELBOW FLARED FITTINGS - MATES WITH AS33656/AS33395 & AS33657/AS4396



HOSE SIZE	PART NUMBER	NUT THREAD SIZE (T)	NUT ENGAGEMENT LENGTH (A)	REACH MAX (B)	NUT SIZE (C)	COLLAR HEX SIZE (D)	DROP (E)	GAGE POINT (F)	WEIGHT (LB) CRES	WEIGHT (LB) ALUM
4	Y40104-39	.4375-20	0.372	1.440	0.562	0.550	0.347	NA	0.06	0.02
6	Y40106-39	.5625-18	0.375	1.860	0.688	0.650	0.471	NA	0.10	0.03
8	Y40108-39	.7500-16	0.438	2.180	0.875	0.860	0.572	NA	0.18	0.06
10	Y40110-39	.8750-14	0.515	2.420	1.000	0.950	0.643	NA	0.28	0.10
12	Y40112-39	1.0625-12	0.562	2.770	1.250	1.280	0.680	NA	0.40	0.14
16	Y40116-39	1.3125-12	0.620	3.050	1.500	1.470	0.790	NA	0.60	0.21
20	Y40120-39	1.6250-12	0.620	3.605	1.812	1.700	0.929	NA	0.96	0.64
24	Y40124-39	1.8750-12	0.765	3.945	2.125	2.000	1.051	NA	1.33	0.90
32	Y40132-39	2.5000-12	0.937	4.845	2.750	2.560	1.314	NA	2.31	1.51

90° ELBOW FLARED FITTINGS - MATES WITH AS33656/AS33395 A & AS33657/AS4396



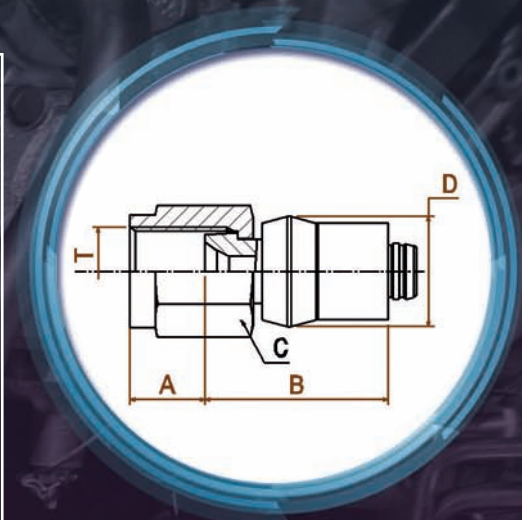
HOSE SIZE	PART NUMBER	NUT THREAD SIZE (T)	NUT ENGAGEMENT LENGTH (A)	REACH MAX (B)	NUT SIZE (C)	COLLAR HEX SIZE (D)	DROP (E)	GAGE POINT (F)	WEIGHT (LB) CRES	WEIGHT (LB) ALUM
4	Y40204-39	.4375-20	0.372	1.240	0.562	0.550	0.642	NA	0.06	0.02
6	Y40206-39	.5625-18	0.375	1.560	0.688	0.650	0.890	NA	0.11	0.04
8	Y40208-39	.7500-16	0.438	1.850	0.875	0.860	1.107	NA	0.19	0.07
10	Y40210-39	.8750-14	0.515	2.000	1.000	0.950	1.281	NA	0.30	0.10
12	Y40212-39	1.0625-12	0.562	2.530	1.250	1.280	1.405	NA	0.42	0.14
16	Y40216-39	1.3125-12	0.620	2.870	1.500	1.470	1.708	NA	0.66	0.23
20	Y40220-39	1.6250-12	0.620	3.395	1.812	1.700	2.042	NA	1.00	0.68
24	Y40224-39	1.8750-12	0.765	3.655	2.125	2.000	2.362	NA	1.40	0.98
32	Y40232-39	2.5000-12	0.937	4.690	2.750	2.560	3.033	NA	2.44	1.65

TITEFLEX R270 (510 SERIES) FLARED (JIC) FITTINGS

METRIC - MILLIMETERS

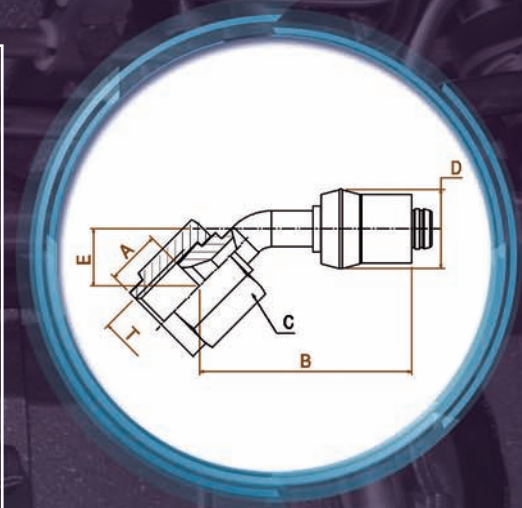
STRAIGHT FLARED FITTINGS - MATES WITH AS33656/AS33395 & AS33657/AS4396

HOSE SIZE	PART NUMBER	NUT THREAD SIZE (T)	NUT ENGAGEMENT LENGTH (A)	REACH MAX (B)	NUT SIZE (C)	COLLAR HEX SIZE (D)	DROP (E)	GAGE POINT (F)	WEIGHT (GRAMS) CRES	WEIGHT (GRAMS) ALUM
4	Y40004-39	.4375-20	9.4	26.7	14.3	14.0	NA	NA	26.0	9.0
6	Y40006-39	.5625-18	9.5	32.5	17.5	16.5	NA	NA	45.0	15.5
8	Y40008-39	.7500-16	11.1	36.6	22.2	21.8	NA	NA	73.0	25.5
10	Y40010-39	.8750-14	13.1	40.1	25.4	24.1	NA	NA	114.0	39.5
12	Y40012-39	1.0625-12	14.3	44.2	31.8	32.5	NA	NA	155.0	53.5
16	Y40016-39	1.3125-12	15.7	45.5	38.1	37.3	NA	NA	222.0	76.5
20	Y40020-39	1.6250-12	15.7	58.3	46.0	43.2	NA	NA	407.0	261.0
24	Y40024-39	1.8750-12	19.4	58.3	54.0	50.8	NA	NA	580.0	344.7
32	Y40032-39	2.5000-12	23.8	75.4	69.9	64.9	NA	NA	906.0	549.0



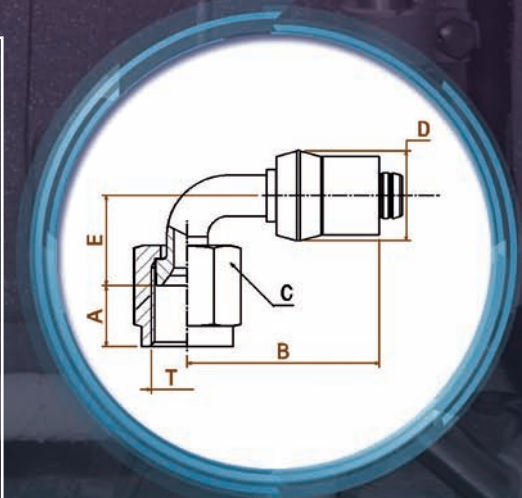
45° ELBOW FLARED FITTINGS - MATES WITH AS33656/AS33395 & AS33657/AS4396

HOSE SIZE	PART NUMBER	NUT THREAD SIZE (T)	NUT ENGAGEMENT LENGTH (A)	REACH MAX (B)	NUT SIZE (C)	COLLAR HEX SIZE (D)	DROP (E)	GAGE POINT (F)	WEIGHT (GRAMS) CRES	WEIGHT (GRAMS) ALUM
4	Y40104-39	.4375-20	9.4	36.6	14.3	14.0	8.8	NA	27.5	9.5
6	Y40106-39	.5625-18	9.5	47.2	17.5	16.5	12.0	NA	45.5	15.8
8	Y40108-39	.7500-16	11.1	55.4	22.2	21.8	14.5	NA	80.0	27.5
10	Y40110-39	.8750-14	13.1	61.5	25.4	24.1	16.3	NA	127.0	44.0
12	Y40112-39	1.0625-12	14.3	70.4	31.8	32.5	17.3	NA	180.0	62.0
16	Y40116-39	1.3125-12	15.7	77.5	38.1	37.3	20.1	NA	272.0	93.5
20	Y40120-39	1.6250-12	15.7	91.6	46.0	43.2	23.6	NA	435.0	290.0
24	Y40124-39	1.8750-12	19.4	100.2	54.0	50.8	26.7	NA	604.0	410.0
32	Y40132-39	2.5000-12	23.8	123.1	69.9	64.9	33.4	NA	1046.0	687.0



90° ELBOW FLARED FITTINGS - MATES WITH AS33656/AS33395 & AS33657/AS4396

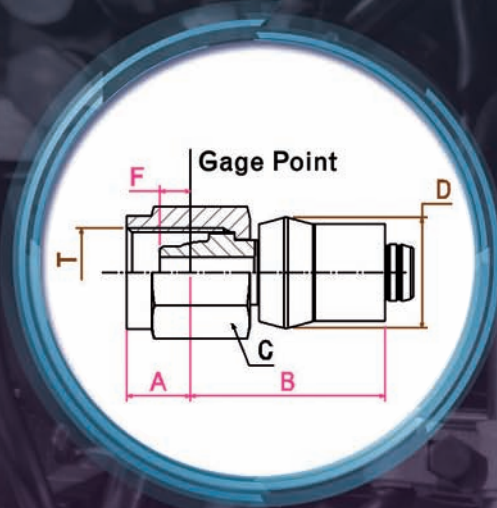
HOSE SIZE	PART NUMBER	NUT THREAD SIZE (T)	NUT ENGAGEMENT LENGTH (A)	REACH MAX (B)	NUT SIZE (C)	COLLAR HEX SIZE (D)	DROP (E)	GAGE POINT (F)	WEIGHT (GRAMS) CRES	WEIGHT (GRAMS) ALUM
4	Y40204-39	.4375-20	9.4	31.5	14.3	14.0	16.3	NA	27.5	9.5
6	Y40206-39	.5625-18	9.5	39.6	17.5	16.5	22.6	NA	51.0	17.5
8	Y40208-39	.7500-16	11.1	47.0	22.2	21.8	28.1	NA	85.0	29.5
10	Y40210-39	.8750-14	13.1	50.8	25.4	24.1	32.5	NA	134.0	46.0
12	Y40212-39	1.0625-12	14.3	64.3	31.8	32.5	35.7	NA	190.0	65.5
16	Y40216-39	1.3125-12	15.7	72.9	38.1	37.3	43.4	NA	298.0	102.5
20	Y40220-39	1.6250-12	15.7	86.2	46.0	43.2	51.9	NA	453.0	307.0
24	Y40224-39	1.8750-12	19.4	92.8	54.0	50.8	60.0	NA	637.0	444.0
32	Y40232-39	2.5000-12	23.8	119.1	69.9	64.9	77.0	NA	1107.0	748.0



TITFLEX R270 (510 SERIES) FLARELESS (NAS) FITTINGS

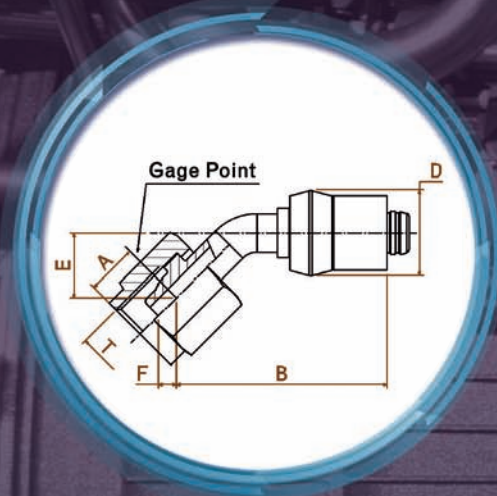
ENGLISH - INCHES

STRAIGHT FLARELESS FITTINGS - MATES WITH AS33514/AS33515 & AS4375/AS4377



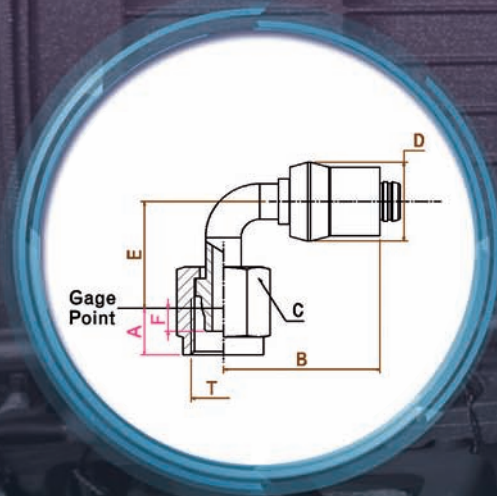
HOSE SIZE	PART NUMBER	NUT THREAD SIZE (T)	NUT ENGAGEMENT LENGTH (A)	REACH MAX (B)	NUT SIZE (C)	COLLAR HEX SIZE (D)	DROP (E)	GAGE POINT (F)	WEIGHT (LB) CRES	WEIGHT (LB) ALUM
4	Y40404-30	.4375-20	0.320	1.110	0.562	0.550	NA	0.155	0.06	0.02
6	Y40406-30	.5625-18	0.326	1.330	0.688	0.650	NA	0.164	0.10	0.04
8	Y40408-30	.7500-16	0.368	1.520	0.875	0.860	NA	0.189	0.17	0.06
10	Y40410-30	.8750-14	0.396	1.710	1.000	0.950	NA	0.201	0.27	0.09
12	Y40412-30	1.0625-12	0.421	1.890	1.250	1.280	NA	0.228	0.37	0.13
16	Y40416-30	1.3125-12	0.425	2.000	1.500	1.470	NA	0.297	0.55	0.19
20	Y40420-30	1.6250-12	0.446	2.475	1.812	1.700	NA	0.300	0.99	0.35
24	Y40424-30	1.8750-12	0.441	2.625	2.125	2.000	NA	0.365	1.36	0.48

45° ELBOW FLARELESS FITTINGS - MATES WITH AS33514/AS33515 & AS4375/AS4377



HOSE SIZE	PART NUMBER	NUT THREAD SIZE (T)	NUT ENGAGEMENT LENGTH (A)	REACH MAX (B)	NUT SIZE (C)	COLLAR HEX SIZE (D)	DROP (E)	GAGE POINT (F)	WEIGHT (LB) CRES	WEIGHT (LB) ALUM
4	Y40504-30	.4375-20	0.320	1.520	0.562	0.550	0.419	0.110	0.07	0.03
6	Y40506-30	.5625-18	0.326	1.930	0.688	0.650	0.544	0.116	0.11	0.04
8	Y40508-30	.7500-16	0.368	2.160	0.875	0.860	0.602	0.134	0.18	0.07
10	Y40510-30	.8750-14	0.396	2.540	1.000	0.950	0.735	0.142	0.28	0.10
12	Y40512-30	1.0625-12	0.421	2.870	1.250	1.280	0.735	0.161	0.43	0.15
16	Y40516-30	1.3125-12	0.425	3.190	1.500	1.470	0.936	0.210	0.65	0.22
20	Y40520-30	1.6250-12	0.446	3.700	1.812	1.700	1.050	0.212	1.03	0.37
24	Y40524-30	1.8750-12	0.441	4.030	2.125	2.000	1.277	0.258	1.46	0.53

90° ELBOW FLARELESS FITTINGS - MATES WITH AS33514/AS33515 & AS4375/AS4377



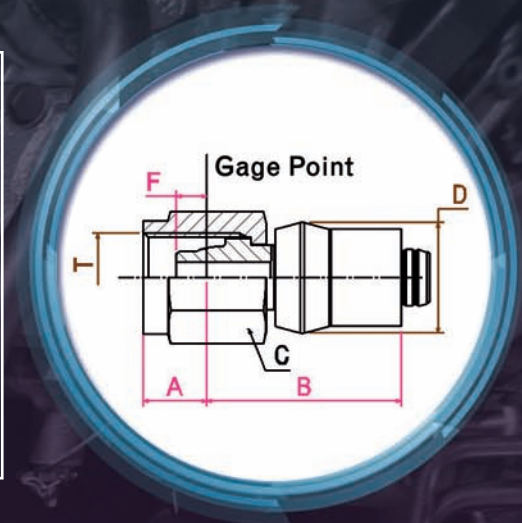
HOSE SIZE	PART NUMBER	NUT THREAD SIZE (T)	NUT ENGAGEMENT LENGTH (A)	REACH MAX (B)	NUT SIZE (C)	COLLAR HEX SIZE (D)	DROP (E)	GAGE POINT (F)	WEIGHT (LB) CRES	WEIGHT (LB) ALUM
4	Y40604-30	.4375-20	0.320	1.240	0.562	0.550	0.744	0.155	0.07	0.03
6	Y40606-30	.5625-18	0.326	1.630	0.688	0.650	0.995	0.164	0.12	0.04
8	Y40608-30	.7500-16	0.368	1.850	0.875	0.860	1.149	0.189	0.20	0.07
10	Y40610-30	.8750-14	0.396	2.190	1.000	0.950	1.411	0.201	0.31	0.11
12	Y40612-30	1.0625-12	0.421	2.610	1.250	1.280	1.485	0.228	0.45	0.15
16	Y40616-30	1.3125-12	0.425	3.030	1.500	1.470	1.914	0.297	0.73	0.25
20	Y40620-30	1.6250-12	0.446	3.400	1.812	1.700	2.222	0.300	1.07	0.42
24	Y40624-30	1.8750-12	0.441	3.660	2.125	2.000	2.690	0.365	1.51	0.57

TITEFLEX R270 (510 SERIES) FLARELESS (NAS) FITTINGS

METRIC - MILLIMETERS

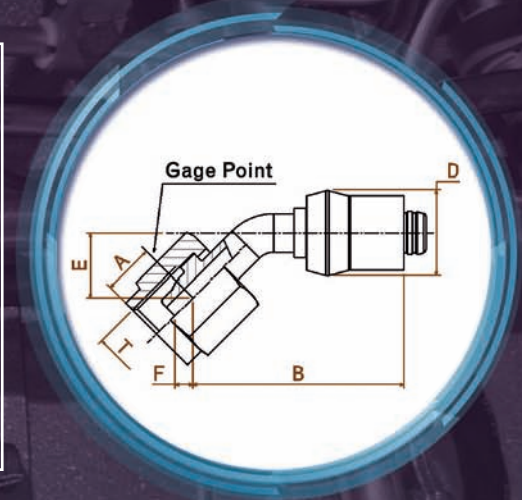
STRAIGHT FLARELESS FITTINGS - MATES WITH AS33514/AS33515 & AS4375/AS4377

HOSE SIZE	PART NUMBER	NUT THREAD SIZE (T)	NUT ENGAGEMENT LENGTH (A)	REACH MAX (B)	NUT SIZE (C)	COLLAR HEX SIZE (D)	DROP (E)	GAGE POINT (F)	WEIGHT (GRAMS) CRES	WEIGHT (GRAMS) ALUM
4	Y40404-30	.4375-20	8.1	28.2	14.3	14.0	NA	3.937	28.0	9.0
6	Y40406-30	.5625-18	8.3	33.8	17.5	16.5	NA	4.166	47.5	16.0
8	Y40408-30	.7500-16	9.3	38.6	22.2	21.8	NA	4.801	79.0	27.0
10	Y40410-30	.8750-14	10.1	43.4	25.4	24.1	NA	5.105	122.5	40.5
12	Y40412-30	1.0625-12	10.7	48.0	31.8	32.5	NA	5.791	167.5	59.0
16	Y40416-30	1.3125-12	10.8	50.8	38.1	37.3	NA	7.544	251.0	86.0
20	Y40420-30	1.6250-12	11.3	62.9	46.0	43.2	NA	7.620	447.0	157.0
24	Y40424-30	1.8750-12	11.2	66.7	54.0	50.8	NA	9.271	618.0	218.0



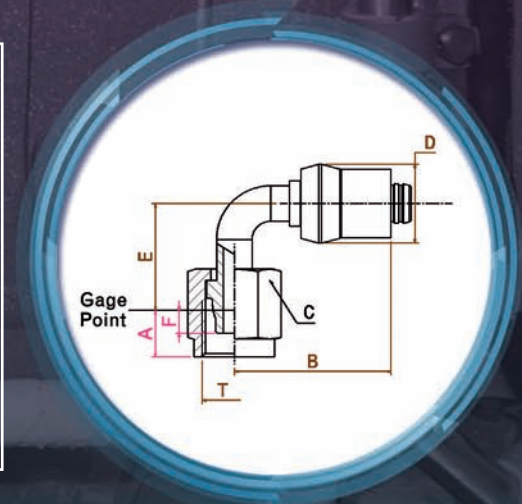
45° ELBOW FLARELESS FITTINGS - MATES WITH AS33514/AS33515 & AS4375/AS4377

HOSE SIZE	PART NUMBER	NUT THREAD SIZE (T)	NUT ENGAGEMENT LENGTH (A)	REACH MAX (B)	NUT SIZE (C)	COLLAR HEX SIZE (D)	DROP (E)	GAGE POINT (F)	WEIGHT (GRAMS) CRES	WEIGHT (GRAMS) ALUM
4	Y40504-30	.4375-20	8.1	38.6	14.3	14.0	10.6	2.794	31.5	11.5
6	Y40506-30	.5625-18	8.3	49.0	17.5	16.5	13.8	2.946	50.0	18.0
8	Y40508-30	.7500-16	9.3	54.9	22.2	21.8	15.3	3.404	81.5	29.5
10	Y40510-30	.8750-14	10.1	64.5	25.4	24.1	18.7	3.607	129.0	45.5
12	Y40512-30	1.0625-12	10.7	72.9	31.8	32.5	18.7	4.089	195.0	68.0
16	Y40516-30	1.3125-12	10.8	81.0	38.1	37.3	23.8	5.334	295.4	102.0
20	Y40520-30	1.6250-12	11.3	94.0	46.0	43.2	26.7	5.385	465.0	170.0
24	Y40524-30	1.8750-12	11.2	102.4	54.0	50.8	32.4	6.553	660.0	240.0



90° ELBOW FLARELESS FITTINGS - MATES WITH AS33514/AS33515 & AS4375/AS4377

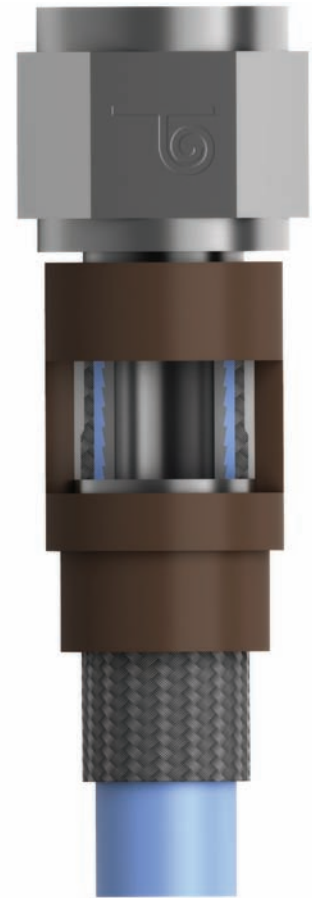
HOSE SIZE	PART NUMBER	NUT THREAD SIZE (T)	NUT ENGAGEMENT LENGTH (A)	REACH MAX (B)	NUT SIZE (C)	COLLAR HEX SIZE (D)	DROP (E)	GAGE POINT (F)	WEIGHT (GRAMS) CRES	WEIGHT (GRAMS) ALUM
4	Y40604-30	.4375-20	8.1	31.5	14.3	14.0	18.9	3.937	31.5	11.5
6	Y40606-30	.5625-18	8.3	41.4	17.5	16.5	25.3	4.166	54.5	18.0
8	Y40608-30	.7500-16	9.3	47.0	22.2	21.8	29.2	4.801	88.5	31.5
10	Y40610-30	.8750-14	10.1	55.6	25.4	24.1	35.8	5.105	140.0	50.0
12	Y40612-30	1.0625-12	10.7	66.3	31.8	32.5	37.7	5.791	204.0	70.0
16	Y40616-30	1.3125-12	10.8	77.0	38.1	37.3	48.6	7.544	333.0	115.5
20	Y40620-30	1.6250-12	11.3	86.4	46.0	43.2	56.4	7.620	485.0	190.0
24	Y40624-30	1.8750-12	11.2	66.7	54.0	50.8	68.3	9.271	685.0	260.0



SERIES: 190
SPECIFICATION: SAE AS4897
BRAID: CRES
INNERCORE: PTFE Smoothbore
QUALIFICATIONS: SAE AS4897,
 AS1055 Type IIa, Class A & B,
 Integral Firesleeve

RM190 (190 SERIES):

Aerospace low pressure smooth bore hose qualified to AS4897. The 190 Series is designed to answer the aerospace industry's need for a weight-saving low-pressure smooth bore PTFE hose. Operating pressures range from 1000 PSI (69 Bar) in the smaller diameters to 750 PSI (52 Bar) in the largest diameter. The hose consists of an extruded smoothbore PTFE innercore, reinforced with a single layer of CRES 304 wire braid. PTFE provides excellent chemical resistance over a temperature range of -65°F to +450°F (-54°C to +232°C) with unlimited shelf life. All 190 Series hose assemblies are furnished with AS1055 Class A & B integral firesleeve. Qualified standard fittings are CRES. Hybrid assemblies combining flex hose with multi-bend tube are a Titeflex specialty and provide improved vibration dampening, ease of installation, and maintenance over strictly rigid tube.



Hose size 8 depicted (Not to scale). Actual hose construction varies by size.

ENGLISH

HOSE SIZE	OPERATING PRESSURE	HOSE ID (MIN)	HOSE OD (MIN)	HOSE OD (MAX)	BRAIDED HOSE WT/1/	BEND RADIUS (MIN) /2/	PROOF PRESSURE	NEGATIVE PRESSURE	ROOM TEMP BURST (MIN)	HIGH TEMP BURST (MIN)
	psi	in	in	in	lb/in	in	psi	in HG	psi	psi
4	1,000	0.173	0.46	0.5	0.01	1	2,000	28	4,000	3,200
6	750	0.298	0.575	0.615	0.014	2	1,500	28	3,000	2,400
8	750	0.391	0.665	0.705	0.017	2	1,500	28	3,000	2,250

NOTES:
 /1/ Over minimum 12 inch length
 /2/ Inside of bend



TITFLEX RM 190 (190 SERIES)

METRIC

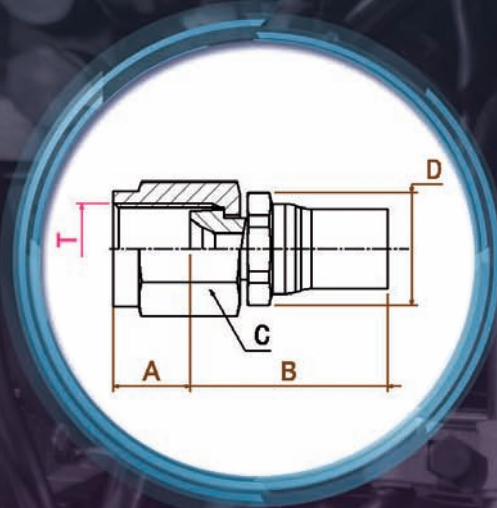
HOSE SIZE	OPERATING PRESSURE	HOSE ID (MIN)	HOSE OD (MIN)	HOSE OD (MAX)	BRAIDED HOSE WT/1/	BEND RADIUS (MIN) /2/	PROOF PRESSURE	NEGATIVE PRESSURE	ROOM TEMP BURST (MIN)	HIGH TEMP BURST (MIN)
	bar	mm	mm	mm	g/m	mm	bar	mm Hg	bar	bar
4	69	4.4	11.7	12.7	179	25.4	138	711.2	276	221
6	52	7.6	14.6	15.6	250	50.8	103	711.2	207	165
8	52	9.9	16.9	17.9	304	50.8	103	711.2	207	155

NOTES:
 /1/ Over minimum 12 inch length
 /2/ Inside of bend

TITEFLEX RM 190 (190 SERIES) FLARED (JIC) FITTINGS

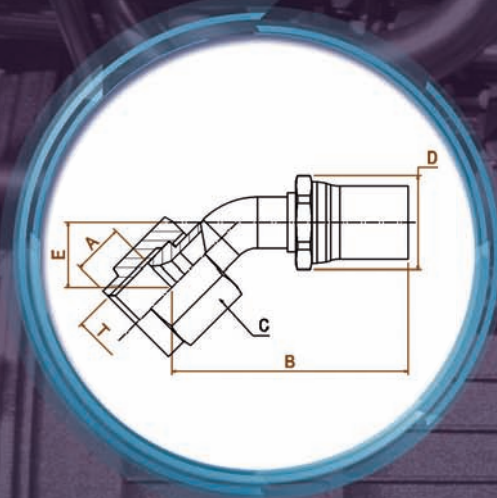
ENGLISH - INCHES

STRAIGHT FLARED FITTINGS - MATES WITH AS33656 / AS4395 AND AS33657 / AS4396



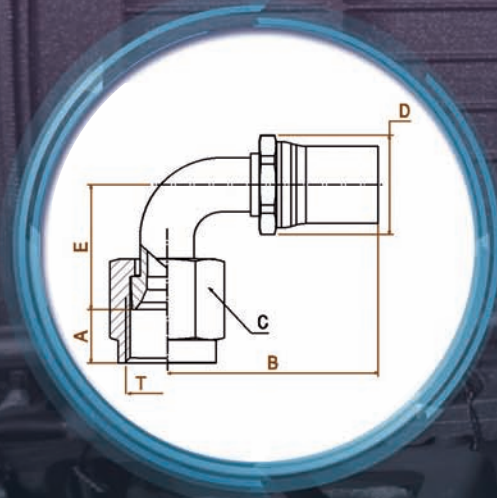
HOSE SIZE	PART NUMBER	NUT THREAD SIZE (T)	NUT ENGAGEMENT LENGTH (A)	REACH MAX (B)	NUT SIZE (C)	COLLAR HEX SIZE (D)	DROP (E)	GAGE POINT (F)	WEIGHT (LB) CRES
4	Y20304-10	.4375-24	0.372	.950	0.562	0.550	NA	NA	0.050
6	Y20306-10	.5625-18	0.369	1.185	0.687	1.700	NA	NA	0.081
8	Y20308-10	.7500-16	0.438	1.300	0.875	1.830	NA	NA	0.115

45° ELBOW FLARED FITTINGS - MATES WITH AS33656 / AS4395 AND AS33657 / AS4396



HOSE SIZE	PART NUMBER	NUT THREAD SIZE (T)	NUT ENGAGEMENT LENGTH (A)	REACH MAX (B)	NUT SIZE (C)	COLLAR HEX SIZE (D)	DROP (E)	GAGE POINT (F)	WEIGHT (LB) CRES
4	Y44104-88	.4375-24	0.372	1.445	0.562	0.550	0.347	NA	0.054
6	Y44106-88	.5625-18	0.369	1.841	0.687	0.700	0.471	NA	0.093
8	Y44108-88	.7500-16	0.438	2.191	0.875	0.830	0.572	NA	0.130

90° ELBOW FLARED FITTINGS - MATES WITH AS33656 / AS4395 AND AS33657 / AS4396



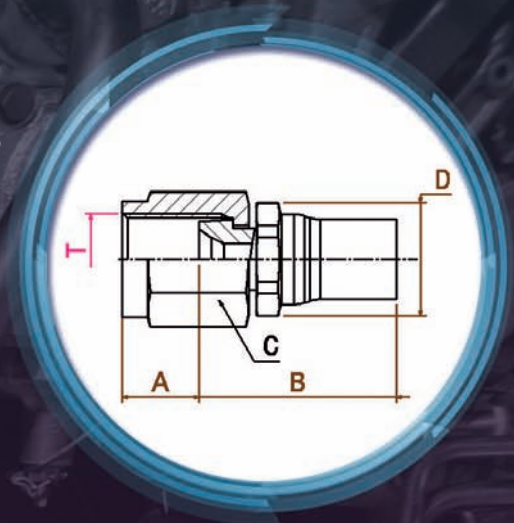
HOSE SIZE	PART NUMBER	NUT THREAD SIZE (T)	NUT ENGAGEMENT LENGTH (A)	REACH MAX (B)	NUT SIZE (C)	COLLAR HEX SIZE (D)	DROP (E)	GAGE POINT (F)	WEIGHT (LB) CRES
4	Y44204-88	.4375-24	0.372	1.165	0.562	0.550	0.642	NA	0.056
6	Y44206-88	.5625-18	0.369	1.511	0.687	0.700	0.882	NA	0.096
8	Y44208-88	.7500-16	0.438	1.781	0.875	0.830	1.037	NA	0.136

TITEFLEX RM 190 (190 SERIES) FLARED (JIC) FITTINGS

METRIC - MILLIMETERS

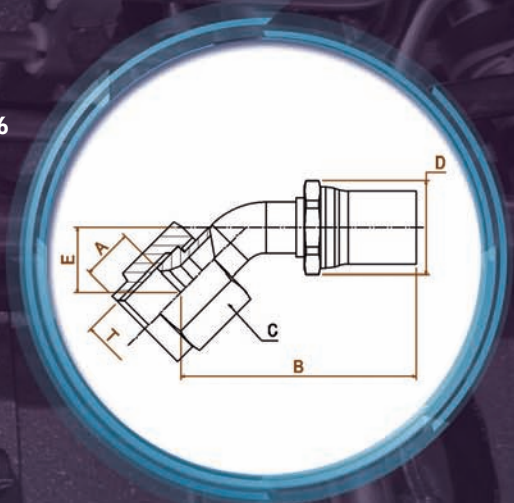
STRAIGHT FLARED FITTINGS - MATES WITH AS33656 / AS4395 AND AS33657 / AS4396

HOSE SIZE	PART NUMBER	NUT THREAD SIZE (T)	NUT ENGAGEMENT LENGTH (A)	REACH MAX (B)	NUT SIZE (C)	COLLAR HEX SIZE (D)	DROP (E)	GAGE POINT (F)	WEIGHT (LB) CRES
4	Y20304-10	.4375-24	9.4	24.1	14.3	14.0	NA	NA	22.6796
6	Y20306-10	.5625-18	9.4	30.1	17.4	17.8	NA	NA	36.741
8	Y20308-10	.7500-16	11.1	33.0	22.2	21.1	NA	NA	52.1631



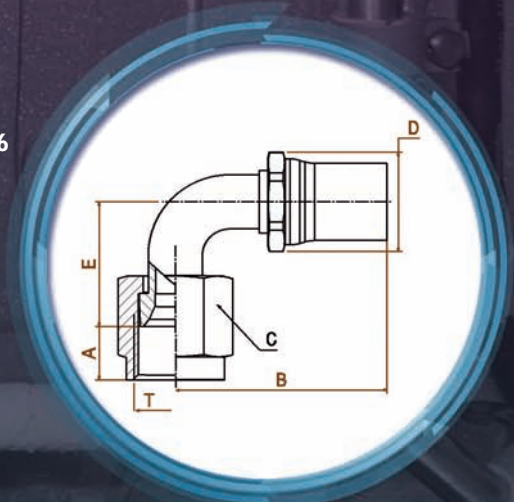
45° ELBOW FLARED FITTINGS - MATES WITH AS33656 / AS4395 AND AS33657 / AS4396

HOSE SIZE	PART NUMBER	NUT THREAD SIZE (T)	NUT ENGAGEMENT LENGTH (A)	REACH MAX (B)	NUT SIZE (C)	COLLAR HEX SIZE (D)	DROP (E)	GAGE POINT (F)	WEIGHT (LB) CRES
4	Y44104-88	.4375-24	9.4	36.7	14.3	14.0	8.8	NA	24.494
6	Y44106-88	.5625-18	9.4	46.8	17.4	17.8	12.0	NA	42.1841
8	Y44108-88	.7500-16	11.1	55.7	22.2	21.1	14.5	NA	58.967



90° ELBOW FLARED FITTINGS - MATES WITH AS33656 / AS4395 AND AS33657 / AS4396

HOSE SIZE	PART NUMBER	NUT THREAD SIZE (T)	NUT ENGAGEMENT LENGTH (A)	REACH MAX (B)	NUT SIZE (C)	COLLAR HEX SIZE (D)	DROP (E)	GAGE POINT (F)	WEIGHT (LB) CRES
4	Y44204-88	.4375-24	29.6	36.7	14.3	14.0	16.3	NA	25.4012
6	Y44206-88	.5625-18	38.4	46.8	17.4	17.8	22.4	NA	43.5449
8	Y44208-88	.7500-16	45.2	55.7	22.2	21.1	26.3	NA	61.6886



SERIES: S145
SPECIFICATION: SAE AS1424
BRAID: CRES
INNERCORE: Metallic Convoluted
QUALIFICATIONS: SAE AS1424

S145 SERIES:

The premier and proven all-metallic aerospace hose, qualified to AS1424. S145 performs in extreme hot and cold, beyond the range of all thermoplastic hoses. It is used extensively on Space Vehicle and Launch Vehicle applications as well as hot sections of turbine engines where performance and reliability are critical. The hose consists of a convoluted innercore formed of CRES or Inconel® tubing, reinforced with a layer of CRES 304 wire braid. Operating pressures range from 2000 PSI (138 Bar) in small diameters to 800 PSI (55 Bar) in large diameters. S145 hose operates at temperatures up to 1200°F without the need for firesleeve. Standard fittings are available in CRES or Inconel®. Hybrid assemblies combining flex hose with multi-bend tube are a Titeflex specialty and provide improved vibration dampening, ease of installation and maintenance over strictly rigid tubing. Titeflex can mold a proprietary silicone on S145 hose assemblies, encapsulating braid and innercore, for service in severe vibration applications. Where greater flexibility and tighter bend radius is required, in a less dynamic environment, Titeflex offers S245 hose. S245 is available in the same alloys as S145.



Hose size 8 depicted (Not to scale). Actual hose construction varies by size.

ENGLISH

HOSE SIZE	OPERATING PRESSURE	HOSE ID (MIN)	HOSE OD (MAX)	BRAIDED HOSE WT/1/	PROOF PRESSURE	ROOM TEMP BURST (MIN)	BEND RADIUS (MIN) /2/, /3/	BEND RADIUS (MIN) /2/, /4/
	psi	in	in	lb/in	psi	psi	in	in
4	2,000	0.23	0.56	0.016	3,000	8,000	2	4
5	1,800	0.28	0.63	0.018	2,700	7,200	2.5	5
6	1,800	0.34	0.7	0.02	2,400	6,400	2.5	5
8	1,800	0.45	0.86	0.028	2,100	5,600	3	6
10	1,200	0.57	1	0.038	1,800	4,800	4	8
12	1,050	0.7	1.15	0.042	1,600	4,200	4.5	9
16	800	0.95	1.45	0.058	1,200	3,200	5	10

NOTES:
 /1/ Over minimum 12 inch length
 /2/ Measured from centerline
 /3/ Static
 /4/ Flexing

Inconel® is a trademark of Special Metals Corporation.



TITFLEX S145 (S145 SERIES)

METRIC

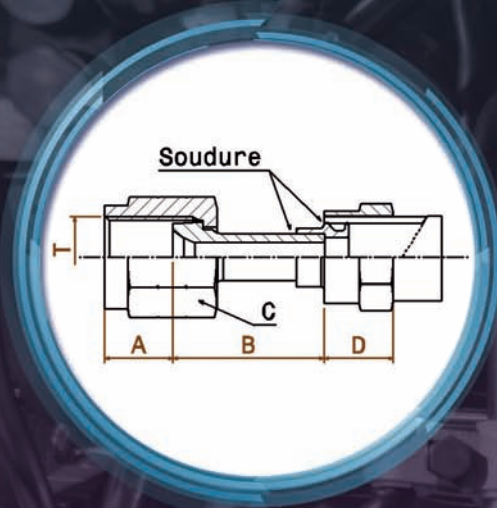
HOSE SIZE	OPERATING PRESSURE	HOSE ID (MIN)	HOSE OD (MAX)	BRAIDED HOSE WT/1/	PROOF PRESSURE	ROOM TEMP BURST (MIN)	BEND RADIUS (MIN) /2/, /3/	BEND RADIUS (MIN) /2/, /4/
	bar	mm	mm	g/m	bar	bar	mm	mm
4	140	5.8	14	286	200	550	51	51
5	124	7.11	16	321	186	496	64	127
6	120	8.6	18	357	160	440	64	127
8	96	11	22	500	140	380	76	152
10	82	14	25	679	120	330	102	203
12	72	18	29	750	110	290	114	229
16	55	24	37	1036	82	220	127	254

NOTES:
 /1/ Over minimum 12 inch length
 /2/ Measured from centerline
 /3/ Static
 /4/ Flexing

TITFLEX S145 (S145 SERIES) FLARED (JIC) FITTINGS

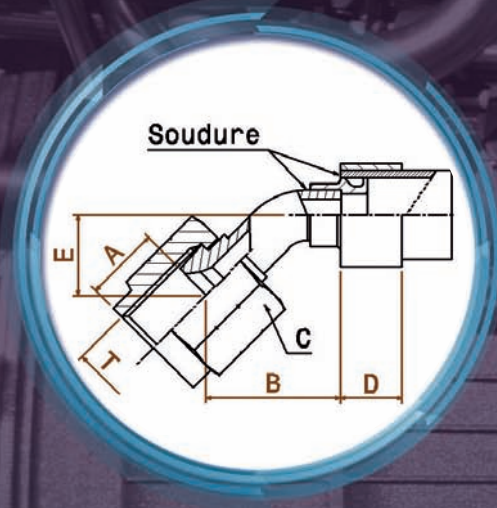
ENGLISH - INCHES

STRAIGHT FLARED FITTINGS - MATES WITH AS33656/AS4395 & AS33657/AS4396



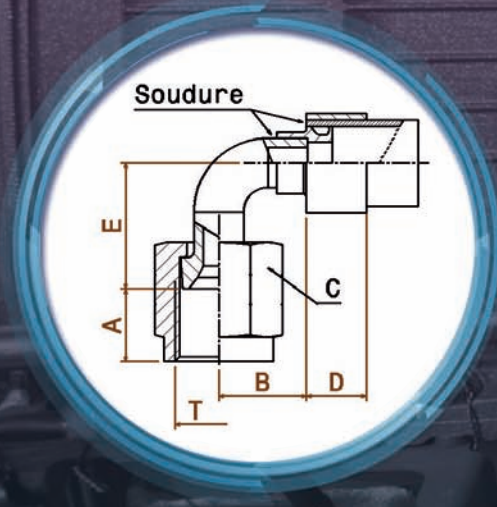
HOSE SIZE	PART NUMBER	NUT THREAD SIZE (T)	NUT ENGAGEMENT LENGTH (A)	REACH MAX (B)	NUT SIZE (C)	COLLAR HEX SIZE (D)	DROP (E)	GAGE POINT (F)	WEIGHT (LB) CRES
4	Y60004-51	.4375-20	0.372	1.340	0.562	0.900	NA	NA	0.040
5	Y60005-51	.5000-20	0.375	1.400	0.625	1.100	NA	NA	0.060
6	Y60006-51	.5625-18	0.375	1.480	0.688	1.200	NA	NA	0.065
8	Y60008-51	.7500-16	0.438	1.580	0.875	1.300	NA	NA	0.110
10	Y60010-51	.8750-14	0.515	1.710	1.000	1.500	NA	NA	0.144
12	Y60012-51	1.0625-12	0.562	1.830	1.250	1.740	NA	NA	0.255
16	Y60016-51	1.3125-12	0.620	2.020	1.500	2.30	NA	NA	0.394
20	Y60020-51	1.6250-12	0.620	2.170	1.812	2.850	NA	NA	0.747
24	Y60024-51	1.8750-12	0.765	2.620	2.125	*	NA	NA	1.069

45° ELBOW FLARED FITTINGS - MATES WITH AS33656/AS4395 & AS33657/AS4396



HOSE SIZE	PART NUMBER	NUT THREAD SIZE (T)	NUT ENGAGEMENT LENGTH (A)	REACH MAX (B)	NUT SIZE (C)	COLLAR HEX SIZE (D)	DROP (E)	GAGE POINT (F)	WEIGHT (LB) CRES
4	Y60104-51	.4375-20	0.372	1.340	0.562	0.900	0.347	NA	0.050
5	Y60105-51	.5000-20	0.375	1.410	0.625	1.100	0.414	NA	0.065
6	Y60106-51	.5625-18	0.375	1.500	0.688	1.200	0.471	NA	0.075
8	Y60108-51	.7500-16	0.438	1.710	0.875	1.300	0.572	NA	0.120
10	Y60110-51	.8750-14	0.515	1.930	1.000	1.500	0.643	NA	0.180
12	Y60112-51	1.0625-12	0.562	2.250	1.250	1.740	0.680	NA	0.300
16	Y60116-51	1.3125-12	0.620	2.840	1.500	2.30	0.790	NA	0.500
20	Y60120-51	1.6250-12	0.620	3.160	1.812	2.850	0.930	NA	0.769
24	Y60124-51	1.8750-12	0.765	3.460	2.125	*	1.051	NA	1.089

90° ELBOW FLARED FITTINGS - MATES WITH AS33656/AS4395 A & AS33657/AS4396



HOSE SIZE	PART NUMBER	NUT THREAD SIZE (T)	NUT ENGAGEMENT LENGTH (A)	REACH MAX (B)	NUT SIZE (C)	COLLAR HEX SIZE (D)	DROP (E)	GAGE POINT (F)	WEIGHT (LB) CRES
4	Y60204-51	.4375-20	0.372	1.130	0.562	0.900	0.642	NA	0.050
5	Y60205-51	.5000-20	0.375	1.180	0.625	1.100	0.773	NA	0.065
6	Y60206-51	.5625-18	0.375	1.240	0.688	1.200	0.890	NA	0.075
8	Y60208-51	.7500-16	0.438	1.420	0.875	1.300	1.107	NA	0.130
10	Y60210-51	.8750-14	0.515	1.640	1.000	1.500	1.281	NA	0.190
12	Y60212-51	1.0625-12	0.562	1.920	1.250	1.740	1.405	NA	0.300
16	Y60216-51	1.3125-12	0.620	2.620	1.500	2.30	1.708	NA	0.569
20	Y60220-51	1.6250-12	0.620	2.950	1.812	2.850	2.050	NA	0.807
24	Y60224-51	1.8750-12	0.765	3.280	2.125	*	2.370	NA	1.312

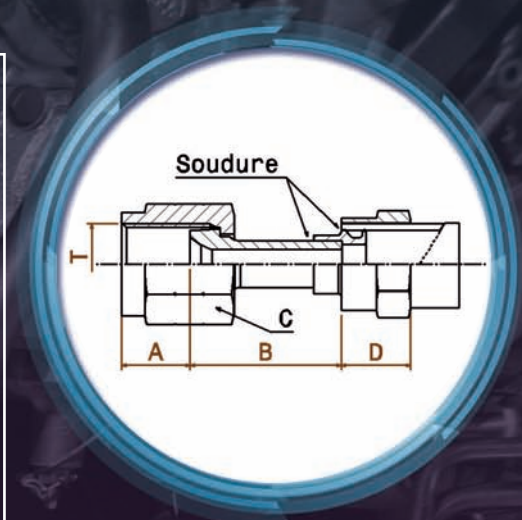
* Contact Titeflex for details.

TITEFLEX S145 (S145 SERIES) FLARED (JIC) FITTINGS

METRIC - MILLIMETERS

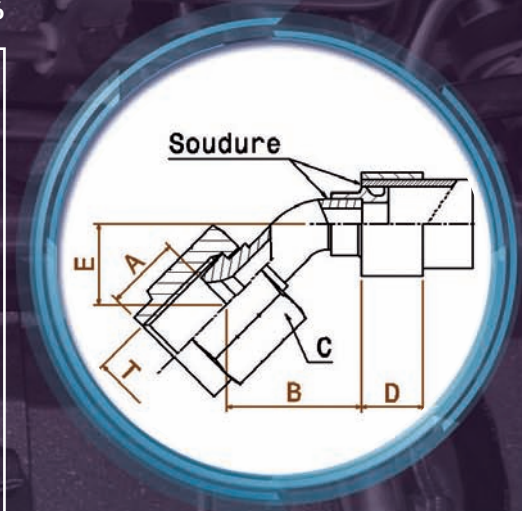
STRAIGHT FLARED FITTINGS - MATES WITH AS33656/AS4395 & AS33657/AS4396

HOSE SIZE	PART NUMBER	NUT THREAD SIZE (T)	NUT ENGAGEMENT LENGTH (A)	REACH MAX (B)	NUT SIZE (C)	COLLAR HEX SIZE (D)	DROP (E)	GAGE POINT (F)	WEIGHT (GRAMS) CRES
4	Y60004-51	.4375-20	9.4	34.0	14.3	22.9	NA	NA	18
5	Y60005-51	.5000-20	9.5	35.6	15.9	27.9	NA	NA	27
6	Y60006-51	.5625-18	9.5	37.6	17.5	30.5	NA	NA	29.5
8	Y60008-51	.7500-16	11.1	40.1	22.2	33.0	NA	NA	50
10	Y60010-51	.8750-14	13.1	43.4	25.4	38.1	NA	NA	65.5
12	Y60012-51	1.0625-12	14.3	46.5	31.8	44.2	NA	NA	115.5
16	Y60016-51	1.3125-12	15.7	51.3	38.1	58.4	NA	NA	178.5
20	Y60020-51	1.6250-12	15.7	55.1	46.0	72.4	NA	NA	339
24	Y60024-51	1.8750-12	19.4	66.5	54.0	*	NA	NA	485



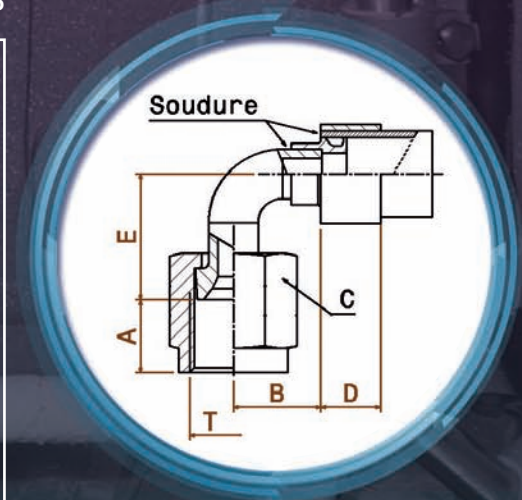
45° ELBOW FLARED FITTINGS - MATES WITH AS33656/AS4395 & AS33657/AS4396

HOSE SIZE	PART NUMBER	NUT THREAD SIZE (T)	NUT ENGAGEMENT LENGTH (A)	REACH MAX (B)	NUT SIZE (C)	COLLAR HEX SIZE (D)	DROP (E)	GAGE POINT (F)	WEIGHT (GRAMS) CRES
4	Y60104-51	.4375-20	9.4	34.0	14.3	22.9	8.8	NA	22.5
5	Y60105-51	.5000-20	9.5	35.8	15.9	27.9	10.5	NA	29.5
6	Y60106-51	.5625-18	9.5	38.1	17.5	30.5	12.0	NA	34
8	Y60108-51	.7500-16	11.1	43.4	22.2	33.0	14.5	NA	54.5
10	Y60110-51	.8750-14	13.1	49.0	25.4	38.1	16.3	NA	81.5
12	Y60112-51	1.0625-12	14.3	57.2	31.8	44.2	17.3	NA	136
16	Y60116-51	1.3125-12	15.7	72.1	38.1	58.4	20.1	NA	227
20	Y60120-51	1.6250-12	15.7	80.3	46.0	72.4	23.6	NA	349
24	Y60124-51	1.8750-12	19.4	87.9	54.0	*	26.7	NA	494



90° ELBOW FLARED FITTINGS - MATES WITH AS33656/AS4395 & AS33657/AS4396

HOSE SIZE	PART NUMBER	NUT THREAD SIZE (T)	NUT ENGAGEMENT LENGTH (A)	REACH MAX (B)	NUT SIZE (C)	COLLAR HEX SIZE (D)	DROP (E)	GAGE POINT (F)	WEIGHT (GRAMS) CRES
4	Y60204-51	.4375-20	9.4	28.7	14.3	22.9	16.3	NA	22.5
5	Y60205-51	.5000-20	9.5	30.0	15.9	27.9	19.6	NA	29.5
6	Y60206-51	.5625-18	9.5	31.5	17.5	30.5	22.6	NA	34
8	Y60208-51	.7500-16	11.1	36.1	22.2	33.0	28.1	NA	59
10	Y60210-51	.8750-14	13.1	41.7	25.4	38.1	32.5	NA	86
12	Y60212-51	1.0625-12	14.3	48.8	31.8	44.2	35.7	NA	136
16	Y60216-51	1.3125-12	15.7	66.5	38.1	58.4	43.4	NA	258
20	Y60220-51	1.6250-12	15.7	74.9	46.0	72.4	52.1	NA	366
24	Y60224-51	1.8750-12	19.4	83.3	54.0	*	60.2	NA	595

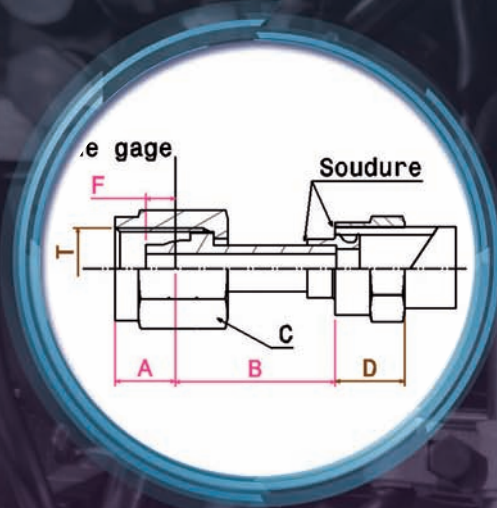


* Contact Titeflex for details.

TITEFLEX S145 (S145 SERIES) FLARELESS (NAS) FITTINGS

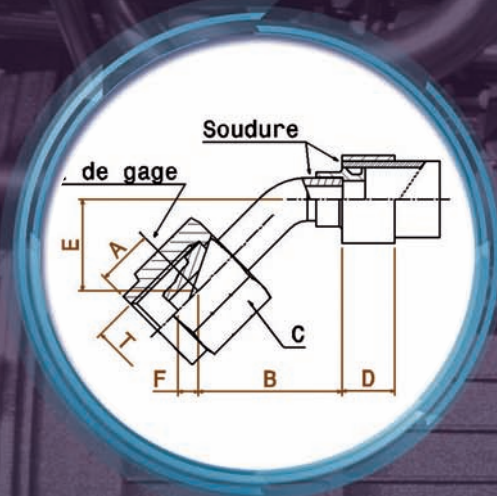
ENGLISH - INCHES

STRAIGHT FLARELESS FITTINGS - MATES WITH AS33514/AS33515 & AS4375/AS4377



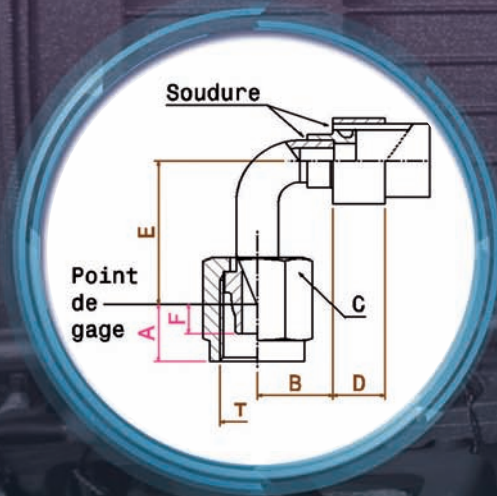
HOSE SIZE	PART NUMBER	NUT THREAD SIZE (T)	NUT ENGAGEMENT LENGTH (A)	REACH MAX (B)	NUT SIZE (C)	COLLAR HEX SIZE (D)	DROP (E)	GAGE POINT (F)	WEIGHT (LB) CRES
4	Y60404-51	.4375-20	0.320	1.340	0.562	0.900	NA	0.155	0.050
5	Y60405-51	.5000-20	0.310	1.400	0.625	1.100	NA	0.157	0.060
6	Y60406-51	.5625-18	0.327	1.480	0.688	1.200	NA	0.164	0.070
8	Y60408-51	.7500-16	0.368	1.580	0.875	1.300	NA	0.189	0.120
10	Y60410-51	.8750-14	0.396	1.710	1.000	1.500	NA	0.201	0.180
12	Y60412-51	1.0625-12	0.421	1.830	1.250	1.740	NA	0.228	0.360
16	Y60416-51	1.3125-12	0.425	2.020	1.500	2.30	NA	0.297	0.480
20	Y60420-51	1.6250-12	0.452	2.170	1.812	2.850	NA	0.300	0.789

45° ELBOW FLARELESS FITTINGS - MATES WITH AS33514/AS33515 & AS4375/AS4377



HOSE SIZE	PART NUMBER	NUT THREAD SIZE (T)	NUT ENGAGEMENT LENGTH (A)	REACH MAX (B)	NUT SIZE (C)	COLLAR HEX SIZE (D)	DROP (E)	GAGE POINT (F)	WEIGHT (LB) CRES
4	Y60504-51	.4375-20	0.320	1.62	0.562	0.900	0.530	0.110	0.050
5	Y60505-51	.5000-20	0.310	1.750	0.625	1.100	0.554	0.111	0.070
6	Y60506-51	.5625-18	0.327	1.880	0.688	1.200	0.580	0.116	0.080
8	Y60508-51	.7500-16	0.368	1.120	0.875	1.300	0.710	0.134	0.130
10	Y60510-51	.8750-14	0.396	2.380	1.000	1.500	0.912	0.142	0.200
12	Y60512-51	1.0625-12	0.421	2.690	1.250	1.740	0.984	0.161	0.390
16	Y60516-51	1.3125-12	0.425	3.190	1.500	2.30	1.025	0.210	0.570
20	Y60520-51	1.6250-12	0.452	3.690	1.812	2.850	1.130	0.212	0.910

90° ELBOW FLARELESS FITTINGS - MATES WITH AS33514/AS33515 & AS4375/AS4377



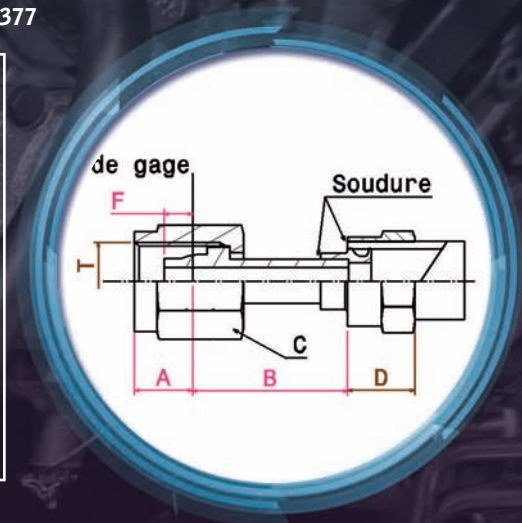
HOSE SIZE	PART NUMBER	NUT THREAD SIZE (T)	NUT ENGAGEMENT LENGTH (A)	REACH MAX (B)	NUT SIZE (C)	COLLAR HEX SIZE (D)	DROP (E)	GAGE POINT (F)	WEIGHT (LB) CRES
4	Y60604-51	.4375-20	0.320	1.180	0.562	0.900	0.860	0.155	0.050
5	Y60605-51	.5000-20	0.310	1.240	0.625	1.100	0.873	0.157	0.070
6	Y60606-51	.5625-18	0.327	1.310	0.688	1.200	1.010	0.164	0.080
8	Y60608-51	.7500-16	0.368	1.500	0.875	1.300	1.265	0.189	0.140
10	Y60610-51	.8750-14	0.396	1.750	1.000	1.500	1.671	0.201	0.220
12	Y60612-51	1.0625-12	0.421	2.060	1.250	1.740	1.840	0.228	0.410
16	Y60616-51	1.3125-12	0.425	2.500	1.500	2.30	2.030	0.297	0.640
20	Y60620-51	1.6250-12	0.452	2.970	1.812	2.850	2.340	0.300	0.990

TITEFLEX S145 (S145 SERIES) FLARELESS (NAS) FITTINGS

METRIC - MILLIMETERS

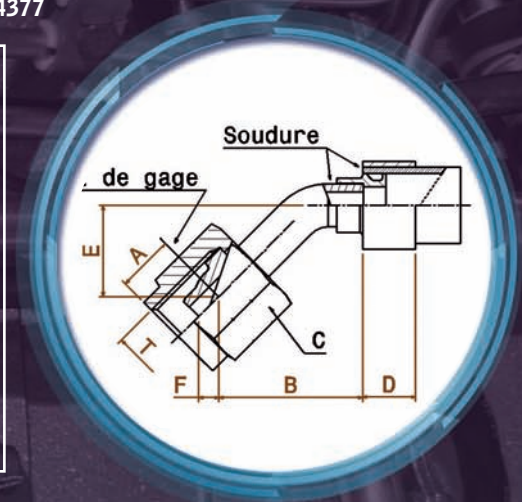
STRAIGHT FLARELESS FITTINGS - MATES WITH AS33514/AS33515 & AS4375/AS4377

HOSE SIZE	PART NUMBER	NUT THREAD SIZE (T)	NUT ENGAGEMENT LENGTH (A)	REACH MAX (B)	NUT SIZE (C)	COLLAR HEX SIZE (D)	DROP (E)	GAGE POINT (F)	WEIGHT (GRAMS) CRES
4	Y60404-51	.4375-20	8.1	31.8	14.3	22.9	NA	3.94	22.7
5	Y60405-51	.5000-20	7.9	35.1	15.9	27.9	NA	3.99	27.2
6	Y60406-51	.5625-18	8.3	35.1	17.5	30.5	NA	4.17	31.7
8	Y60408-51	.7500-16	9.3	39.6	22.2	33.0	NA	4.80	54.4
10	Y60410-51	.8750-14	10.1	44.5	25.4	38.1	NA	5.11	81.6
12	Y60412-51	1.0625-12	10.7	49.3	31.8	44.2	NA	5.79	163.3
16	Y60416-51	1.3125-12	10.8	53.8	38.1	58.4	NA	7.54	217.7
20	Y60420-51	1.6250-12	11.5	60.5	46.0	72.4	NA	7.62	358



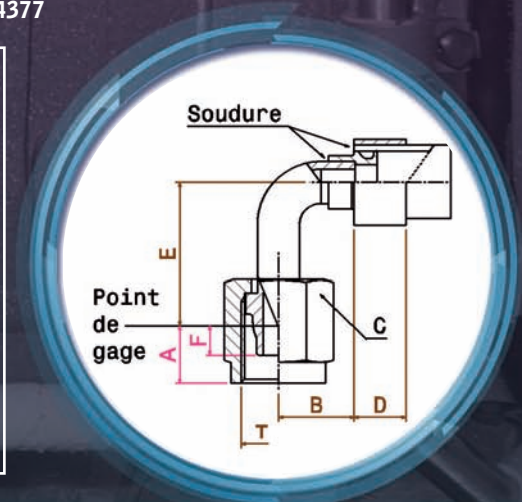
45° ELBOW FLARELESS FITTINGS - MATES WITH AS33514/AS33515 & AS4375/AS4377

HOSE SIZE	PART NUMBER	NUT THREAD SIZE (T)	NUT ENGAGEMENT LENGTH (A)	REACH MAX (B)	NUT SIZE (C)	COLLAR HEX SIZE (D)	DROP (E)	GAGE POINT (F)	WEIGHT (GRAMS) CRES
4	Y60404-51	.4375-20	8.1	41.1	14.3	22.9	13.5	2.79	22.7
5	Y60405-51	.5000-20	7.9	44.5	15.9	27.9	14.1	2.82	31.7
6	Y60406-51	.5625-18	8.3	47.8	17.5	30.5	14.7	2.95	36.3
8	Y60408-51	.7500-16	9.3	53.8	22.2	33.0	18.0	3.40	59
10	Y60410-51	.8750-14	10.1	60.5	25.4	38.1	23.2	3.61	90.7
12	Y60412-51	1.0625-12	10.7	68.3	31.8	44.2	25.0	4.09	176.9
16	Y60416-51	1.3125-12	10.8	81.0	38.1	58.4	26.0	5.33	258.5
20	Y60420-51	1.6250-12	11.5	93.7	46.0	72.4	28.7	5.38	412.7



90° ELBOW FLARELESS FITTINGS - MATES WITH AS33514/AS33515 & AS4375/AS4377

HOSE SIZE	PART NUMBER	NUT THREAD SIZE (T)	NUT ENGAGEMENT LENGTH (A)	REACH MAX (B)	NUT SIZE (C)	COLLAR HEX SIZE (D)	DROP (E)	GAGE POINT (F)	WEIGHT (GRAMS) CRES
4	Y60404-51	.4375-20	8.1	30.0	14.3	22.9	21.8	3.94	22.7
5	Y60405-51	.5000-20	7.9	31.5	15.9	27.9	22.2	3.99	31.7
6	Y60406-51	.5625-18	8.3	33.3	17.5	30.5	25.7	4.17	36.3
8	Y60408-51	.7500-16	9.3	38.1	22.2	33.0	32.1	4.80	63.5
10	Y60410-51	.8750-14	10.1	44.5	25.4	38.1	42.4	5.11	99.7
12	Y60412-51	1.0625-12	10.7	52.3	31.8	44.2	46.7	5.79	186
16	Y60416-51	1.3125-12	10.8	63.2	38.1	58.4	51.6	7.54	290.3
20	Y60420-51	1.6250-12	11.5	75.4	46.0	72.4	59.4	7.62	449



SERIES: 130/180

SPECIFICATION: SAE AS1946, Mil-Dtl-25579, Mil-Dtl-27267

BRAID: CRES

INNERCORE: PTFE Smoothbore

QUALIFICATIONS: SAE AS1946, Mil-Dtl-25579, Mil-Dtl-27267
TSO C53a, TSO C75,
AS1055 Type IIa & IIb, Class A & B,
Integral and Slip-on Firesleeve

R101 (130/180 SERIES):

A medium pressure aerospace hose assembly qualified to to AS1946 and MIL-DTL-25579. The hose consists of an extruded smoothbore PTFE innercore, reinforced with CRES 304 wire braid in a single layer on sizes 04 - 12, and a double layer (Z) on sizes 16 - 24. Operating pressures range from 1500 PSI (104 Bar) in the small diameters to 1000 PSI (69 Bar) in the largest diameters. Titeflex also offers a special small diameter not listed in AS1946: size -03. PTFE provides excellent chemical resistance over a temperature range of -65°F to +450°F (-54°C to +232°C) with an unlimited shelf life. Standard fittings are CRES (Class I) or aluminum (Class II). Fire protection per AS1055 Class A & B can be either integral, or slip-on AS1072 firesleeve. Chafe sleeves are available in a variety of integral or slip-on materials. Hybrid assemblies combining flex hose with multi-bend tube are a Titeflex specialty and provide improved vibration dampening, ease of installation, and maintenance over strictly rigid tube.



Size 8 depicted (Not to scale). Actual construction varies by size.

ENGLISH

HOSE SIZE	OPERATING PRESSURE	HOSE ID (MIN)	HOSE OD (MIN)	HOSE OD (MAX)	BRAIDED HOSE WT/1/	BEND RADIUS (MIN) /2/	PROOF PRESSURE	NEGATIVE PRESSURE	ROOM TEMP BURST (MIN)	HIGH TEMP BURST (MIN)
	psi	in	in	in	lb/in	in	psi	in HG	psi	psi
3	1,500	0.11	0.234	0.285	0.005	2	3,000	28	12,000	7,000
4	1,500	0.173	0.304	0.374	0.007	2	3,000	28	12,000	7,000
5	1,500	0.235	0.367	0.417	0.008	2	3,000	28	10,000	6,500
6	1,500	0.298	0.43	0.5	0.01	4	3,000	28	9,000	6,500
8	1,500	0.391	0.546	0.614	0.013	4.63	3,000	28	8,000	6,000
10	1,500	0.485	0.641	0.799	0.017	5.5	3,000	28	7,000	5,500
12	1,000	0.615	0.766	0.906	0.027	6.5	2,000	20	5,000	3,500
16Z	1,250	0.851	1.078	1.14	0.048	7.38	2,500	14	5,000	3,500
20Z	1,000	1.101	1.328	1.39	0.062	11	2,000	10	4,000	3,000
24Z	1,000	1.344	1.637	1.707	0.084	14	2,000	8	4,000	3,000

NOTES:

/1/ Over minimum 12 inch length

/2/ Inside of bend



TITFLEX R101 (130/180 SERIES)

METRIC

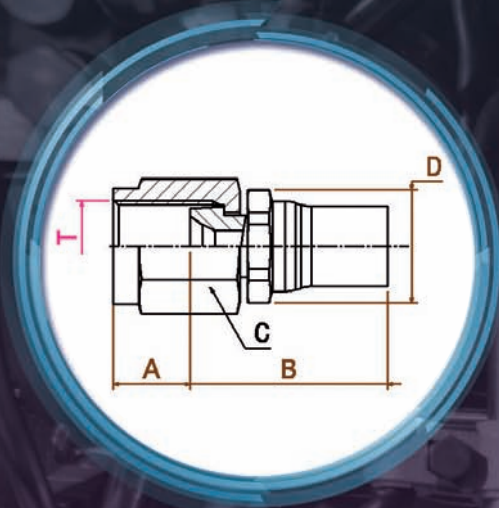
HOSE SIZE	OPERATING PRESSURE	HOSE ID (MIN)	HOSE OD (MIN)	HOSE OD (MAX)	BRAIDED HOSE WT/1/	BEND RADIUS (MIN) /2/	PROOF PRESSURE	NEGATIVE PRESSURE	ROOM TEMP BURST (MIN)	HIGH TEMP BURST (MIN)
	bar	mm	mm	mm	g/mm	mm	bar	mm Hg	bar	bar
3	103	2.79	5.9	7.2	89	51	207	711	827	483
4	103	4.8	7.7	8.7	125	51	207	711	827	483
5	103	5.97	9.3	10.3	143	51	207	711	689	448
6	103	7.87	11.2	11.91	179	102	207	711	621	448
8	103	9.93	13.9	14.86	232	117	207	711	552	414
10	103	12.32	16.3	17.45	304	140	207	711	483	379
12	69	15.62	19.5	20.62	482	165	138	508	345	241
16Z	86	21.62	27.4	28.96	857	185	172	356	345	241
20Z	69	27.97	33.7	35.31	1 107	279	138	254	276	207
24Z	69	34.14	41.6	43.36	1 500	356	138	203	276	207

NOTES:
 /1/ Over minimum 12 inch length
 /2/ Inside of bend

TITEFLEX R101 (130/180 SERIES) FLARED (JIC) FITTINGS

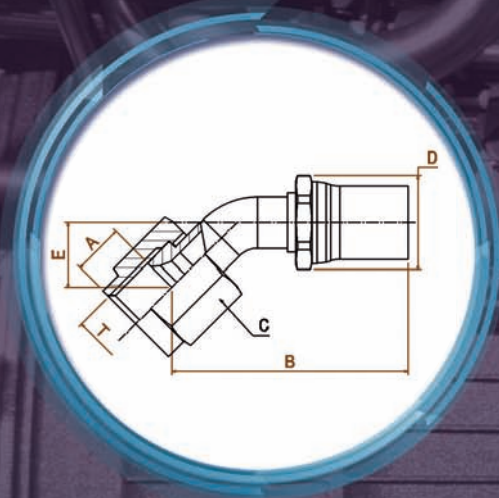
ENGLISH - INCHES

STRAIGHT FLARED FITTINGS - MATES WITH AS33656/AS4395 & AS33657/AS4396



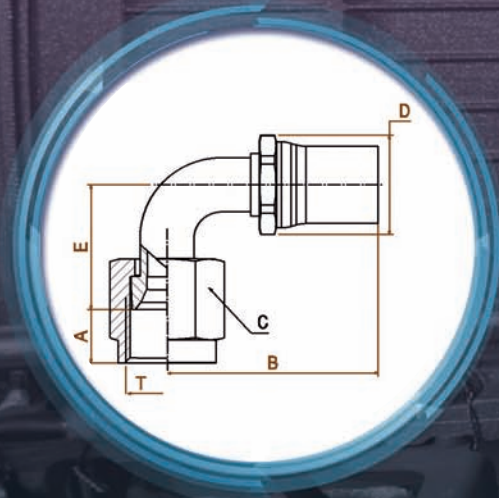
HOSE SIZE	PART NUMBER	NUT THREAD SIZE (T)	NUT ENGAGEMENT LENGTH (A)	REACH MAX (B)	NUT SIZE (C)	COLLAR HEX SIZE (D)	DROP (E)	GAGE POINT (F)	WEIGHT (LB) CRES	WEIGHT (LB) ALUM
3	Y40003-9	.3750-24	0.372	1.030	0.500	0.490	NA	NA	0.04	*
4	Y40004-50	.4375-20	0.372	1.115	0.562	0.550	NA	NA	0.05	*
5	Y40005-50	.5000-20	0.375	1.175	0.625	0.630	NA	NA	0.07	*
6	Y40006-9	.5625-18	0.375	1.310	0.688	0.700	NA	NA	0.08	0.04
8	Y40008-9	.7500-16	0.438	1.470	0.875	0.830	NA	NA	0.13	0.07
10	Y40010-9	.8750-14	0.515	1.570	1.000	0.970	NA	NA	0.18	0.08
12	Y40012-9	1.6250-12	0.562	1.730	1.250	1.170	NA	NA	0.28	0.13
16	Y40016Z-9	1.3125-12	0.620	2.110	1.500	1.520	NA	NA	0.46	0.22
20	Y40020Z-9	1.6250-12	0.620	2.260	1.812	2.000	NA	NA	0.84	0.36
24	Y40024Z-9	1.8750-12	0.765	2.180	2.125	2.280	NA	NA	1.11	0.48

45° ELBOW FLARED FITTINGS - MATES WITH AS33656/AS4395 & AS33657/AS4396



HOSE SIZE	PART NUMBER	NUT THREAD SIZE (T)	NUT ENGAGEMENT LENGTH (A)	REACH MAX (B)	NUT SIZE (C)	COLLAR HEX SIZE (D)	DROP (E)	GAGE POINT (F)	WEIGHT (LB) CRES	WEIGHT (LB) ALUM
3	Y40103-9	.3750-24	0.372	1.470	0.500	0.490	0.328	NA	0.05	*
4	Y40104-50	.4375-20	0.372	1.405	0.562	0.550	0.347	NA	0.06	*
5	Y40105-50	.5000-20	0.375	1.575	0.625	0.630	0.414	NA	0.07	*
6	Y40106-9	.5625-18	0.375	1.890	0.688	0.700	0.471	NA	0.09	0.05
8	Y40108-9	.7500-16	0.438	2.190	0.875	0.830	0.572	NA	0.15	0.07
10	Y40110-9	.8750-14	0.515	2.410	1.000	0.970	0.643	NA	0.20	0.10
12	Y40112-9	1.6250-12	0.562	2.750	1.250	1.170	0.680	NA	0.31	0.15
16	Y40116Z-9	1.3125-12	0.620	3.350	1.500	1.520	0.790	NA	0.50	0.24
20	Y40120Z-9	1.6250-12	0.620	3.870	1.812	2.000	2.000	NA	0.93	0.32
24	Y40124Z-9	1.8750-12	0.765	4.540	2.125	2.280	2.280	NA	1.31	0.56

90° ELBOW FLARED FITTINGS - MATES WITH AS33656/AS4395 & AS33657/AS4396



HOSE SIZE	PART NUMBER	NUT THREAD SIZE (T)	NUT ENGAGEMENT LENGTH (A)	REACH MAX (B)	NUT SIZE (C)	COLLAR HEX SIZE (D)	DROP (E)	GAGE POINT (F)	WEIGHT (LB) CRES	WEIGHT (LB) ALUM
3	Y40203-9	.3750-24	0.372	1.250	0.500	0.490	0.580	NA	0.05	*
4	Y40204-50	.4375-20	0.372	1.265	0.562	0.550	0.642	NA	0.06	*
5	Y40205-50	.5000-20	0.375	1.320	0.625	0.630	0.773	NA	0.08	*
6	Y40206-9	.5625-18	0.375	1.630	0.688	0.700	0.862	NA	0.09	0.05
8	Y40208-9	.7500-16	0.438	1.890	0.875	0.830	1.037	NA	0.15	0.08
10	Y40210-9	.8750-14	0.515	2.060	1.000	0.970	1.281	NA	0.21	0.10
12	Y40212-9	1.6250-12	0.562	2.520	1.250	1.170	1.405	NA	0.33	0.16
16	Y40216Z-9	1.3125-12	0.620	3.290	1.500	1.520	1.708	NA	0.52	0.29
20	Y40220Z-9	1.6250-12	0.620	3.430	1.812	2.000	2.050	NA	1.06	0.34
24	Y40224Z-9	1.8750-12	0.765	4.360	2.125	2.280	2.370	NA	1.45	0.61

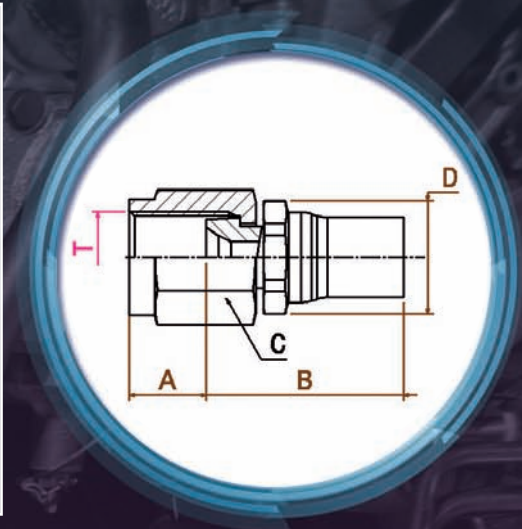
* Contact Titeflex for details.

TITEFLEX R101 (130/180 SERIES) FLARED (JIC) FITTINGS

METRIC - MILLIMETERS

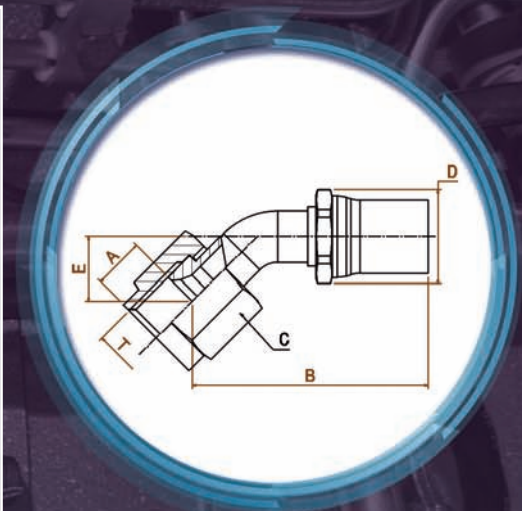
STRAIGHT FLARELESS FITTINGS - MATES WITH AS33656/AS4395 AND AS33657/AS4396

HOSE SIZE	PART NUMBER	NUT THREAD SIZE (T)	NUT ENGAGEMENT LENGTH (A)	REACH MAX (B)	NUT SIZE (C)	COLLAR HEX SIZE (D)	DROP (E)	GAGE POINT (F)	WEIGHT (GRAMS) CRES	WEIGHT (GRAMS) LW.
3	Y40003-9	.3750-24	9.4	26.2	12.7	12.4	NA	NA	20.3	*
4	Y40004-50	.4375-20	9.4	28.3	14.3	14.0	NA	NA	20.7	*
5	Y40005-50	.5000-20	9.5	29.8	15.9	16.0	NA	NA	29.5	*
6	Y40006-9	.5625-18	9.5	33.3	17.5	17.8	NA	NA	36.0	18.5
8	Y40008-9	.7500-16	11.1	37.3	22.2	21.1	NA	NA	59.5	30.5
10	Y40010-9	.8750-14	13.1	39.9	25.4	24.6	NA	NA	82.0	37.5
12	Y40012-9	1.6250-12	14.3	43.9	31.8	29.7	NA	NA	127.0	59.5
16	Y40016Z-9	1.3125-12	15.7	53.6	38.1	38.6	NA	NA	209.0	100.0
20	Y40020Z-9	1.6250-12	15.7	57.4	46.0	50.8	NA	NA	382.0	164.0
24	Y40024Z-9	1.8750-12	15.7	55.4	54.0	57.9	NA	NA	502.0	219.0



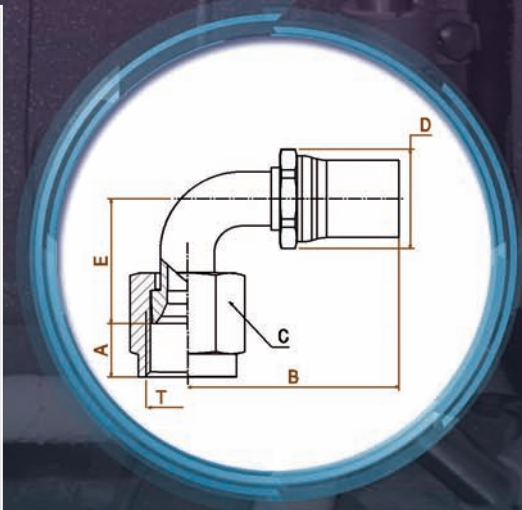
45° ELBOW FLARELESS FITTINGS - MATES WITH AS33656/AS4395 AND AS33657/AS4396

HOSE SIZE	PART NUMBER	NUT THREAD SIZE (T)	NUT ENGAGEMENT LENGTH (A)	REACH MAX (B)	NUT SIZE (C)	COLLAR HEX SIZE (D)	DROP (E)	GAGE POINT (F)	WEIGHT (GRAMS) CRES	WEIGHT (GRAMS) LW.
3	Y40103-9	.3750-24	9.4	37.3	12.7	12.4	8.3	NA	21.5	*
4	Y40104-50	.4375-20	9.4	35.7	14.3	14.0	8.8	NA	26.0	*
5	Y40105-50	.5000-20	9.5	40.0	15.9	16.0	10.5	NA	32.5	*
6	Y40106-9	.5625-18	9.5	48.0	17.5	17.8	12.0	NA	39.0	21.0
8	Y40108-9	.7500-16	11.1	55.6	22.2	21.1	14.5	NA	66.5	33.5
10	Y40110-9	.8750-14	13.1	61.2	25.4	24.6	16.3	NA	89.0	44.5
12	Y40112-9	1.6250-12	14.3	69.9	31.8	29.7	17.3	NA	142.0	69.0
16	Y40116Z-9	1.3125-12	15.7	85.1	38.1	38.6	20.1	NA	227.0	110.0
20	Y40120Z-9	1.6250-12	15.7	98.3	46.0	50.8	23.6	NA	423.0	145.0
24	Y40124Z-9	1.8750-12	15.7	115.3	54.0	57.9	26.7	NA	595.0	254.0



90° ELBOW FLARELESS FITTINGS - MATES WITH AS33656/AS4395 AND AS33657/AS4396

HOSE SIZE	PART NUMBER	NUT THREAD SIZE (T)	NUT ENGAGEMENT LENGTH (A)	REACH MAX (B)	NUT SIZE (C)	COLLAR HEX SIZE (D)	DROP (E)	GAGE POINT (F)	WEIGHT (GRAMS) CRES	WEIGHT (GRAMS) LW.
3	Y40203-9	.3750-24	9.4	31.8	12.7	12.4	14.7	NA	22.0	*
4	Y40204-50	.4375-20	9.4	32.1	14.3	14.0	16.3	NA	28.0	*
5	Y40205-50	.5000-20	9.5	33.5	15.9	16.0	19.6	NA	35.0	*
6	Y40206-9	.5625-18	9.5	41.4	17.5	17.8	21.9	NA	41.5	21.0
8	Y40208-9	.7500-16	11.1	48.0	22.2	21.1	26.3	NA	69.0	35.0
10	Y40210-9	.8750-14	13.1	52.3	25.4	24.6	32.5	NA	94.0	46.0
12	Y40212-9	1.6250-12	14.3	64.0	31.8	29.7	35.7	NA	148.0	71.0
16	Y40216Z-9	1.3125-12	15.7	83.6	38.1	38.6	43.4	NA	238.0	131.0
20	Y40220Z-9	1.6250-12	15.7	87.1	46.0	50.8	52.1	NA	480.0	156.0
24	Y40224Z-9	1.8750-12	15.7	110.7	54.0	57.9	60.2	NA	656.0	275.0



* Contact Titeflex for details.

TITEFLEX R101 (130/180 SERIES) FLARELESS (NAS) FITTINGS

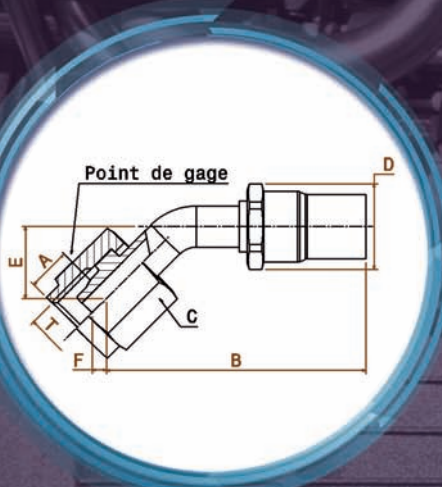
ENGLISH - INCHES

STRAIGHT FLARELESS FITTINGS - MATES WITH AS33514/AS33515 & AS4375/AS4377



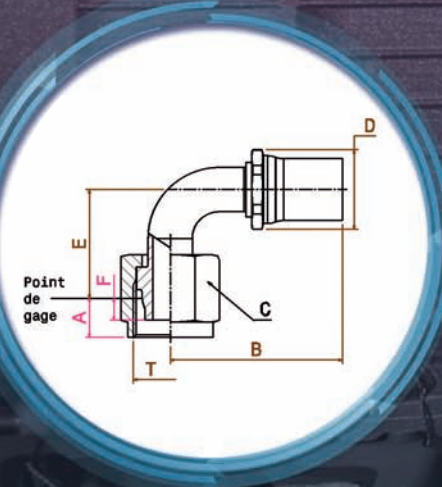
HOSE SIZE	PART NUMBER	NUT THREAD SIZE (T)	NUT ENGAGEMENT LENGTH (A)	REACH MAX (B)	NUT SIZE (C)	COLLAR HEX SIZE (D)	DROP (E)	GAGE POINT (F)	WEIGHT (LB) CRES	WEIGHT (LB) ALUM
3	Y40403-15	.3750-24	0.222	1.160	0.500	0.490	NA	0.140	0.04	*
4	Y40404-50	.4375-20	0.320	1.165	0.562	0.550	NA	0.155	0.05	*
5	Y40405-50	.5000-20	0.310	1.230	0.625	0.630	NA	0.157	0.07	*
6	Y40406-15	.5625-18	0.327	1.360	0.688	0.700	NA	0.164	0.08	0.04
8	Y40408-15	.7500-16	0.368	1.550	0.875	0.830	NA	0.189	0.11	0.06
10	Y40410-15	.8750-14	0.396	1.700	1.000	0.970	NA	0.201	0.20	0.09
12	Y40412-15	1.6250-12	0.421	1.880	1.250	1.170	NA	0.228	0.32	0.14
16	Y40416Z-15	1.3125-12	0.425	2.310	1.500	1.520	NA	0.297	0.52	0.24
20	Y40420Z-15	1.6250-12	0.452	2.430	1.812	2.000	NA	0.300	0.95	0.40
24	Y40424Z-15	1.8750-12	0.477	2.500	2.125	2.280	NA	0.365	1.30	0.55

45° ELBOW FLARELESS FITTINGS - MATES WITH AS33514/AS33515 & AS4375/AS4377



HOSE SIZE	PART NUMBER	NUT THREAD SIZE (T)	NUT ENGAGEMENT LENGTH (A)	REACH MAX (B)	NUT SIZE (C)	COLLAR HEX SIZE (D)	DROP (E)	GAGE POINT (F)	WEIGHT (LB) CRES	WEIGHT (LB) ALUM
3	Y40503-15	.3750-24	0.222	1.460	0.500	0.490	0.413	0.140	0.04	*
4	Y40504-50	.4375-20	0.320	1.585	0.562	0.550	0.419	0.155	0.06	*
5	Y40505-50	.5000-20	0.310	1.620	0.625	0.630	0.460	0.157	0.07	*
6	Y40506-15	.5625-18	0.327	2.030	0.688	0.700	0.544	0.164	0.08	0.04
8	Y40508-15	.7500-16	0.368	2.260	0.875	0.830	0.602	0.189	0.15	0.07
10	Y40510-15	.8750-14	0.396	2.600	1.000	0.970	0.735	0.201	0.20	0.09
12	Y40512-15	1.6250-12	0.421	2.940	1.250	1.170	0.735	0.228	0.35	0.15
16	Y40516Z-15	1.3125-12	0.425	3.500	1.500	1.520	0.936	0.297	0.58	0.26
20	Y40520Z-15	1.6250-12	0.452	4.070	1.812	2.000	1.056	0.300	1.09	0.45
24	Y40524Z-15	1.8750-12	0.477	4.600	2.125	2.280	1.276	0.365	1.52	0.63

90° ELBOW FLARELESS FITTINGS - MATES WITH AS33514/AS33515 & AS4375/AS4377



HOSE SIZE	PART NUMBER	NUT THREAD SIZE (T)	NUT ENGAGEMENT LENGTH (A)	REACH MAX (B)	NUT SIZE (C)	COLLAR HEX SIZE (D)	DROP (E)	GAGE POINT (F)	WEIGHT (LB) CRES	WEIGHT (LB) ALUM
3	Y40603-15	.3750-24	0.222	1.320	0.500	0.490	0.699	0.140	0.05	*
4	Y40604-50	.4375-20	0.320	1.205	0.562	0.550	0.744	0.155	0.06	*
5	Y40605-50	.5000-20	0.310	1.320	0.625	0.630	0.838	0.157	0.07	*
6	Y40606-15	.5625-18	0.327	1.700	0.688	0.700	0.995	0.164	0.09	0.04
8	Y40608-15	.7500-16	0.368	1.950	0.875	0.830	1.149	0.189	0.15	0.07
10	Y40610-15	.8750-14	0.396	2.260	1.000	0.970	1.411	0.201	0.21	0.09
12	Y40612-15	1.6250-12	0.421	2.650	1.250	1.170	1.485	0.228	0.36	0.16
16	Y40616Z-15	1.3125-12	0.425	3.340	1.500	1.520	1.914	0.297	0.60	0.27
20	Y40620Z-15	1.6250-12	0.452	3.510	1.812	2.000	2.230	0.300	1.14	0.47
24	Y40624Z-15	1.8750-12	0.477	4.190	2.125	2.280	2.688	0.365	1.63	0.66

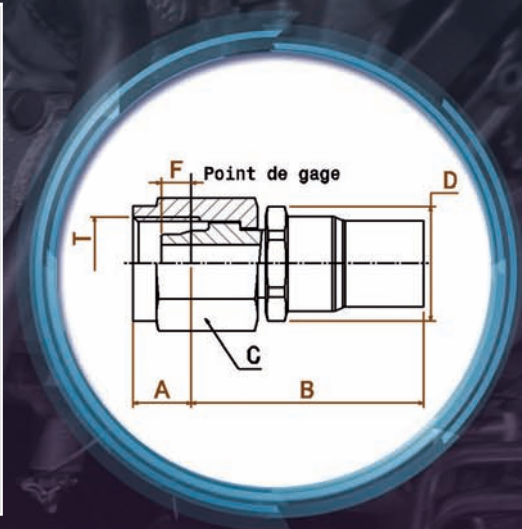
* Contact Titeflex for details.

TITEFLEX R101 (130/180 SERIES) FLARELESS (NAS) FITTINGS

METRIC - MILLIMETERS

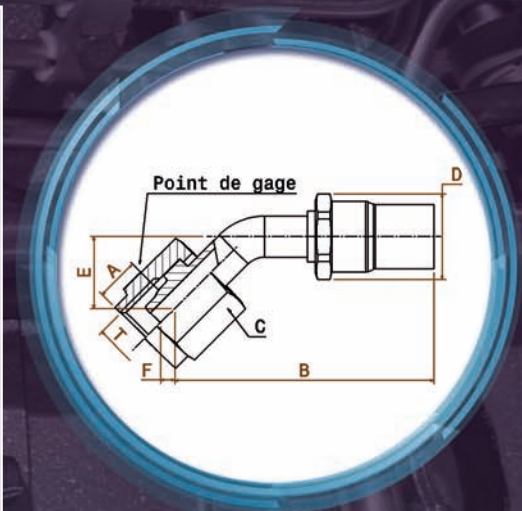
STRAIGHT FLARELESS FITTINGS - MATES WITH AS33514/AS33515 & AS4375/AS4377

HOSE SIZE	PART NUMBER	NUT THREAD SIZE (T)	NUT ENGAGEMENT LENGTH (A)	REACH MAX (B)	NUT SIZE (C)	COLLAR HEX SIZE (D)	DROP (E)	GAGE POINT (F)	WEIGHT (GRAMS) CRES	WEIGHT (GRAMS) LW.
3	Y40403-15	.3750-24	5.6	29.5	12.7	12.4	NA	3.556	18.	*
4	Y40404-50	.4375-20	8.1	29.6	14.3	14.0	NA	3.937	22.5	*
5	Y40405-50	.5000-20	7.9	31.2	15.9	16.0	NA	3.988	30.0	*
6	Y40406-15	.5625-18	8.3	34.5	17.5	17.8	NA	4.166	35.0	18.5
8	Y40408-15	.7500-16	9.3	39.4	22.2	21.1	NA	4.801	50.0	26.0
10	Y40410-15	.8750-14	10.1	43.2	25.4	24.6	NA	5.105	89.0	40.5
12	Y40412-15	1.6250-12	10.7	47.8	31.8	29.7	NA	5.791	143.0	65.0
16	Y40416Z-15	1.3125-12	10.8	58.7	38.1	38.6	NA	7.544	238.0	111.0
20	Y40420Z-15	1.6250-12	11.5	61.7	46.0	50.8	NA	7.620	429.0	183.0
24	Y40424Z-15	1.8750-12	11.4	63.5	54.0	57.9	NA	9.271	590.0	250.0



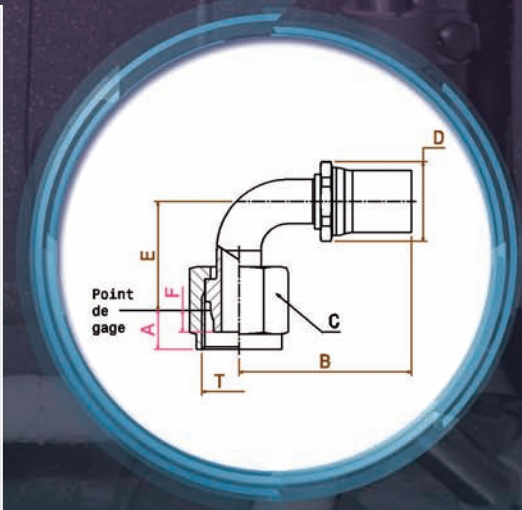
45° ELBOW FLARELESS FITTINGS - MATES WITH AS33514/AS33515 & AS4375/AS4377

HOSE SIZE	PART NUMBER	NUT THREAD SIZE (T)	NUT ENGAGEMENT LENGTH (A)	REACH MAX (B)	NUT SIZE (C)	COLLAR HEX SIZE (D)	DROP (E)	GAGE POINT (F)	WEIGHT (GRAMS) CRES	WEIGHT (GRAMS) LW.
3	Y40403-15	.3750-24	5.6	37.1	12.7	12.4	10.5	2.515	20.0	*
4	Y40404-50	.4375-20	8.1	40.3	14.3	14.0	10.6	2.794	27.0	*
5	Y40405-50	.5000-20	7.9	41.1	15.9	16.0	11.7	3.607	33.0	*
6	Y40406-15	.5625-18	8.3	51.6	17.5	17.8	13.8	2.946	38.0	19.5
8	Y40408-15	.7500-16	9.3	57.4	22.2	21.1	15.3	3.404	67.5	32.0
10	Y40410-15	.8750-14	10.1	66.0	25.4	24.6	18.7	3.607	91.0	41.0
12	Y40412-15	1.6250-12	10.7	74.7	31.8	29.7	18.7	4.089	157.0	70.0
16	Y40416Z-15	1.3125-12	10.8	88.9	38.1	38.6	23.8	5.334	262.0	119.0
20	Y40420Z-15	1.6250-12	11.5	103.4	46.0	50.8	26.8	5.385	495.0	206.0
24	Y40424Z-15	1.8750-12	11.4	116.8	54.0	57.9	32.4	6.553	690.0	284.0



90° ELBOW FLARELESS FITTINGS - MATES WITH AS33514/AS33515 & AS4375/AS4377

HOSE SIZE	PART NUMBER	NUT THREAD SIZE (T)	NUT ENGAGEMENT LENGTH (A)	REACH MAX (B)	NUT SIZE (C)	COLLAR HEX SIZE (D)	DROP (E)	GAGE POINT (F)	WEIGHT (GRAMS) CRES	WEIGHT (GRAMS) LW.
3	Y40603-15	.3750-24	5.6	33.5	12.7	12.4	17.8	3.556	22.5	*
4	Y40604-50	.4375-20	8.1	30.6	14.3	14.0	18.9	3.937	28.5	*
5	Y40605-50	.5000-20	7.9	33.5	15.9	16.0	21.3	3.988	34.0	*
6	Y40606-15	.5625-18	8.3	43.2	17.5	17.8	25.3	4.166	40.0	20.0
8	Y40608-15	.7500-16	9.3	49.5	22.2	21.1	29.2	4.801	69.0	33.0
10	Y40610-15	.8750-14	10.1	57.4	25.4	24.6	35.8	5.105	97.0	43.0
12	Y40612-15	1.6250-12	10.7	67.3	31.8	29.7	37.7	5.791	162.0	72.0
16	Y40616Z-15	1.3125-12	10.8	84.8	38.1	38.6	48.6	7.544	272.0	123.0
20	Y40620Z-15	1.6250-12	11.5	89.2	46.0	50.8	56.6	7.620	516.0	213.0
24	Y40624Z-15	1.8750-12	11.4	106.4	54.0	57.9	68.3	9.271	740.0	300.0

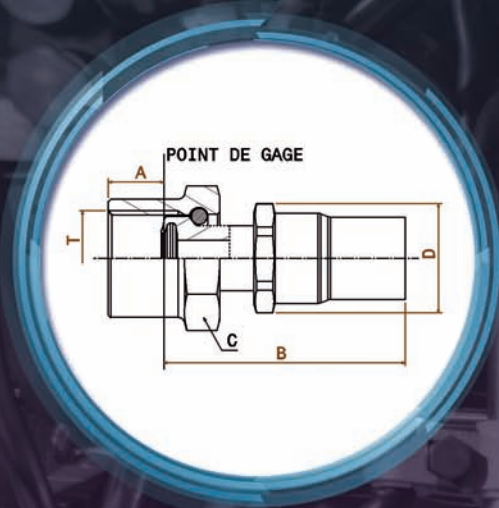


* Contact Titeflex for details.

TITEFLEX R101 (130/180 SERIES) STRAIGHT DUALSEAL FITTINGS

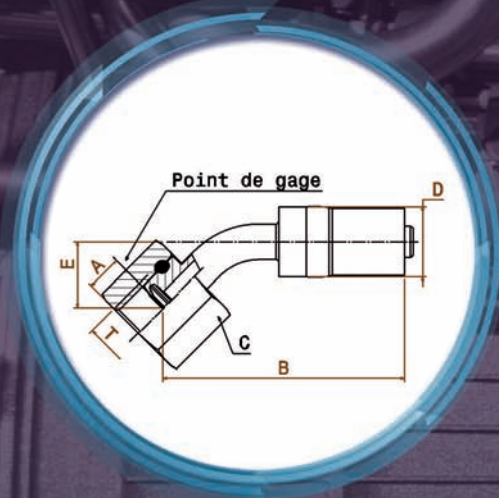
ENGLISH - INCHES

STRAIGHT DUALSEAL - MATES WITH MIL-F-85421/1 & /2 & AS4207



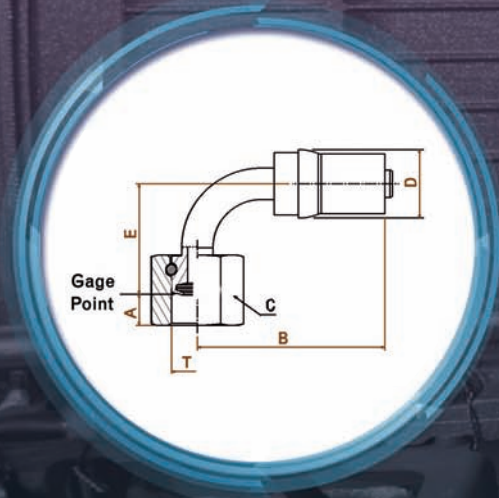
HOSE SIZE	PART NUMBER	NUT THREAD SIZE (T)	NUT ENGAGEMENT LENGTH (A)	REACH MAX (B)	NUT SIZE (C)	COLLAR HEX SIZE (D)	DROP (E)	GAGE POINT (F)	WEIGHT (LB) CRES
4	Y43004-50	.4375-24	0.215	1.290	0.562	0.550	NA	NA	0.06
5	Y43005-50	.5000-24	0.215	1.150	0.625	0.630	NA	NA	0.07
6	Y43006-47	.5625-20	0.235	1.245	0.688	0.700	NA	NA	0.09
8	Y43008-47	.7188-20	0.248	1.330	0.875	0.830	NA	NA	0.12
10	Y43010-47	.8438-18	0.312	1.380	1.000	0.970	NA	NA	0.13
12	Y43012-47	1.0000-16	0.352	1.570	1.125	1.170	NA	NA	0.20
16	Y43016-47	1.2500-14	0.380	1.975	1.375	1.520	NA	NA	0.35
20	Y43020-47	1.5781-14	0.395	2.080	1.875	2.000	NA	NA	0.48
24	Y43024-47	1.8438-14	0.482	1.970	2.125	2.280	NA	NA	0.71

45° ELBOW DUALSEAL FITTINGS - MATES WITH MIL-F-85421/1 & /2 & AS4207



HOSE SIZE	PART NUMBER	NUT THREAD SIZE (T)	NUT ENGAGEMENT LENGTH (A)	REACH MAX (B)	NUT SIZE (C)	COLLAR HEX SIZE (D)	DROP (E)	GAGE POINT (F)	WEIGHT (LB) CRES
4	Y43104-50	.4375-24	0.215	1.805	0.562	0.550	0.481	NA	0.06
5	Y43105-50	.5000-24	0.215	1.860	0.625	0.630	0.501	NA	0.08
6	Y43106-47	.5625-20	0.235	1.990	0.688	0.700	0.570	NA	0.08
8	Y43108-47	.7188-20	0.248	2.250	0.875	0.830	0.645	NA	0.13
10	Y43110-47	.8438-18	0.312	2.440	1.000	0.970	0.736	NA	0.18
12	Y43112-47	1.0000-16	0.352	2.800	1.125	1.170	0.788	NA	0.22
16	Y43116-47	1.2500-14	0.380	3.360	1.375	1.520	0.917	NA	0.35
20	Y43120-47	1.5781-14	0.395	3.780	1.875	2.000	1.144	NA	0.62
24	Y43124-47	1.8438-14	0.482	3.960	2.125	2.280	1.289	NA	0.85

90° ELBOW DUALSEAL FITTINGS - MATES WITH MIL-F-85421/1 & /2 & AS4207



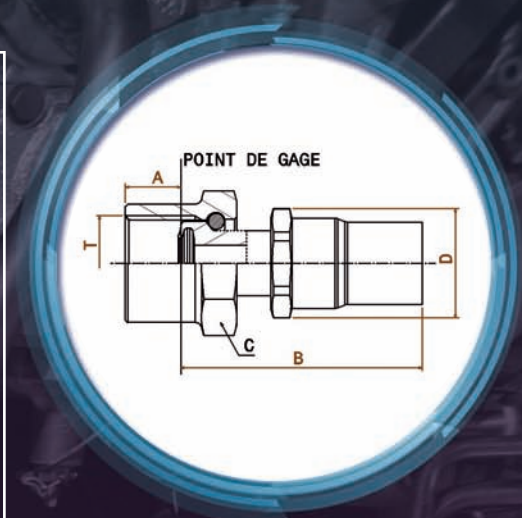
HOSE SIZE	PART NUMBER	NUT THREAD SIZE (T)	NUT ENGAGEMENT LENGTH (A)	REACH MAX (B)	NUT SIZE (C)	COLLAR HEX SIZE (D)	DROP (E)	GAGE POINT (F)	WEIGHT (LB) CRES
4	Y43204-50	.4375-24	0.215	1.460	0.562	0.550	0.826	NA	0.06
5	Y43205-50	.5000-24	0.215	1.500	0.625	0.630	0.896	NA	0.08
6	Y43206-47	.5625-20	0.235	1.630	0.688	0.700	1.030	NA	0.11
8	Y43208-47	.7188-20	0.248	1.890	0.875	0.830	1.210	NA	0.13
10	Y43210-47	.8438-18	0.312	2.060	1.000	0.970	1.414	NA	0.18
12	Y43212-47	1.0000-16	0.352	2.450	1.125	1.170	1.560	NA	0.23
16	Y43216-47	1.2500-14	0.380	3.020	1.375	1.520	1.888	NA	0.36
20	Y43220-47	1.5781-14	0.395	3.360	1.875	2.000	2.361	NA	0.65
24	Y43224-47	1.8438-14	0.482	3.540	2.125	2.280	2.716	NA	0.90

TITEFLEX R101 (130/180 SERIES) STRAIGHT DUALSEAL FITTINGS

METRIC - MILLIMETERS

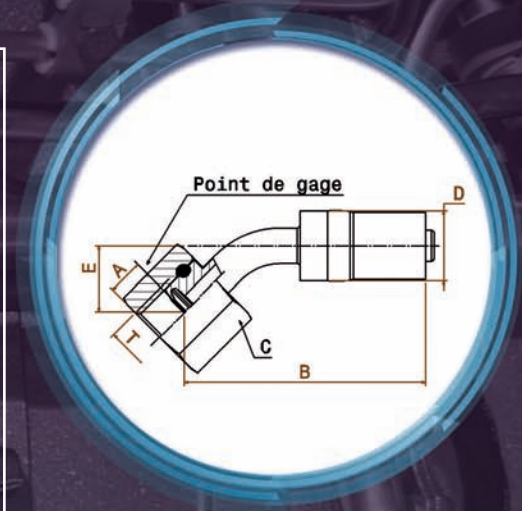
STRAIGHT DUALSEAL FITTINGS - MATES WITH MIL-F-85421/1 & /2 & AS4207

HOSE SIZE	PART NUMBER	NUT THREAD SIZE (T)	NUT ENGAGEMENT LENGTH (A)	REACH MAX (B)	NUT SIZE (C)	COLLAR HEX SIZE (D)	DROP (E)	GAGE POINT (F)	WEIGHT (GRAMS) CRES
4	Y43004-50	.4375-24	5.5	32.8	14.3	14.0	NA	NA	27.0
5	Y43005-50	.5000-24	5.5	29.2	15.9	16.0	NA	NA	32.0
6	Y43006-47	.5625-20	6.0	31.6	17.5	17.8	NA	NA	41.0
8	Y43008-47	.7188-20	6.3	33.8	22.2	21.1	NA	NA	53.0
10	Y43010-47	.8438-18	7.9	35.1	25.4	24.6	NA	NA	60.0
12	Y43012-47	1.0000-16	8.9	39.9	28.6	29.7	NA	NA	91.0
16	Y43016-47	1.2500-14	9.7	50.2	34.9	38.6	NA	NA	158.0
20	Y43020-47	1.5781-14	10.0	52.8	47.6	50.8	NA	NA	216.0
24	Y43024-47	1.8438-14	12.2	50.0	54.0	57.9	NA	NA	322.1



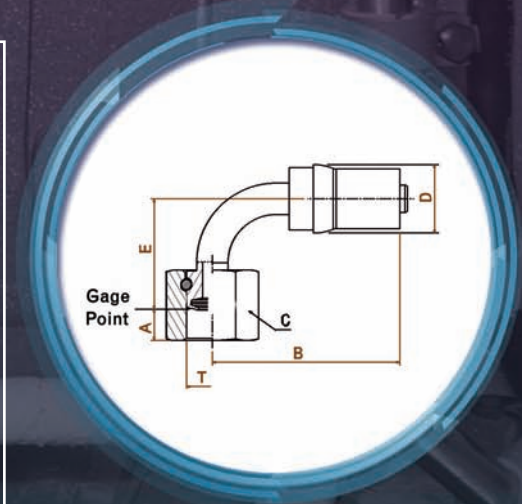
45° ELBOW DUALSEAL FITTINGS - MATES WITH MIL-F-85421/1 & /2 & AS4207

HOSE SIZE	PART NUMBER	NUT THREAD SIZE (T)	NUT ENGAGEMENT LENGTH (A)	REACH MAX (B)	NUT SIZE (C)	COLLAR HEX SIZE (D)	DROP (E)	GAGE POINT (F)	WEIGHT (GRAMS) CRES
4	Y43104-50	.4375-24	5.5	45.8	14.3	14.0	12.2	NA	28.0
5	Y43105-50	.5000-24	5.5	47.2	15.9	16.0	12.7	NA	35.0
6	Y43106-47	.5625-20	6.0	50.5	17.5	17.8	14.5	NA	36.0
8	Y43108-47	.7188-20	6.3	57.2	22.2	21.1	16.4	NA	58.0
10	Y43110-47	.8438-18	7.9	62.0	25.4	24.6	18.7	NA	80.0
12	Y43112-47	1.0000-16	8.9	71.1	28.6	29.7	20.0	NA	99.8
16	Y43116-47	1.2500-14	9.7	85.3	34.9	38.6	23.3	NA	158.8
20	Y43120-47	1.5781-14	10.0	96.0	47.6	50.8	29.1	NA	281.2
24	Y43124-47	1.8438-14	12.2	100.6	54.0	57.9	32.7	NA	385.6



90° ELBOW DUALSEAL FITTINGS - MATES WITH MIL-F-85421/1 & /2 & AS4207

HOSE SIZE	PART NUMBER	NUT THREAD SIZE (T)	NUT ENGAGEMENT LENGTH (A)	REACH MAX (B)	NUT SIZE (C)	COLLAR HEX SIZE (D)	DROP (E)	GAGE POINT (F)	WEIGHT (GRAMS) CRES
4	Y43204-50	.4375-24	5.5	37.1	14.3	14.0	21.0	NA	29.
5	Y43205-50	.5000-24	5.5	38.1	15.9	16.0	22.8	NA	37.0
6	Y43206-47	.5625-20	6.0	41.4	17.5	17.8	26.2	NA	48.0
8	Y43208-47	.7188-20	6.3	48.0	22.2	21.1	30.7	NA	61.0
10	Y43210-47	.8438-18	7.9	52.3	25.4	24.6	35.9	NA	83.0
12	Y43212-47	1.0000-16	8.9	62.2	28.6	29.7	39.6	NA	104.3
16	Y43216-47	1.2500-14	9.7	76.7	34.9	38.6	48.0	NA	163.3
20	Y43220-47	1.5781-14	10.0	85.3	47.6	50.8	60.0	NA	294.8
24	Y43224-47	1.8438-14	12.2	89.9	54.0	57.9	69.0	NA	408.2



SERIES: 240

SPECIFICATION: SAE AS1339

BRAID: CRES

INNERCORE: PTFE Smoothbore

QUALIFICATIONS: SAE AS1339,
TSO C75 Type IIIB-S/P-F
AS1055 Type IIa & IIb, Class A & B,
Integral and Slip-on Firesleeve

R160 (240 SERIES):

The 240 Series is a lightweight high pressure 3000 PSI (207 Bar) aerospace hose qualified to AS1339. The hose consists of an extruded smoothbore PTFE innercore, reinforced with CRES 304 wire braid in a single layer on sizes -04 through -10, or a double layer on sizes -12 through -16. The PTFE innercore is conductive and provides excellent chemical resistance through a temperature range of -65°F to +400°F (-54°C to +204°C) with unlimited shelf life. The pre-tensioned braid gives 240 Series hose the tightest bend radius of any metal braided high pressure PTFE hose. The standard fitting material is CRES, but titanium is also available for weight savings. Fire protection per AS1055 Class A & B can be either integral or slip-on AS1072 firesleeve. Chafe sleeves are available in a variety of integral or slip-on materials. Hybrid assemblies combining flex hose with multi-bend tube are a Titeflex specialty and provide improved vibration dampening, ease of installation and maintenance over strictly rigid tube.



Hose size 8 depicted (Not to scale). Actual hose construction varies by size.

ENGLISH

HOSE SIZE	OPERATING PRESSURE	HOSE ID (MIN)	HOSE OD (MIN)	HOSE OD (MAX)	BRAIDED HOSE WT/1/	BEND RADIUS (MIN) /2/	PROOF PRESSURE	ROOM TEMP BURST (MIN)	HIGH TEMP BURST (MIN)
	psi	in	in	in	lb/in	in	psi	psi	psi
4	3,000	0.212	0.36	0.39	0.009	1.5	6,000	16,000	12,000
6	3,000	0.298	0.455	0.49	0.015	2.5	6,000	14,000	10,500
8	3,000	0.391	0.585	0.615	0.02	2.88	6,000	14,000	10,500
10	3,000	0.485	0.69	0.73	0.027	3.25	6,000	12,000	9,000
12	3,000	0.602	0.95	0.99	0.058	4	6,000	12,000	9,000
16	3,000	0.852	1.23	1.27	0.085	5	6,000	12,000	9,000
20	3,000	1.101	1.56	1.64	0.154	12	6,000	12,000	9,000
24	3,000	1.36	1.84	1.9	0.159	14	6,000	12,000	9,000

NOTES:

/1/ Over minimum 12 inch length

/2/ Inside of bend



TITFLEX R160 (240 SERIES)

METRIC

HOSE SIZE	OPERATING PRESSURE	HOSE ID (MIN)	HOSE OD (MIN)	HOSE OD (MAX)	BRAIDED HOSE WT/1/	BEND RADIUS (MIN) /2/	PROOF PRESSURE	ROOM TEMP BURST (MIN)	HIGH TEMP BURST (MIN)
	bar	mm	mm	mm	g/m	mm	bar	bar	bar
4	207	5.4	9.1	9.9	161	38.1	414	1,103	827
6	207	7.6	11.7	12.45	268	63.5	414	965	724
8	207	9.9	14.9	15.62	357	73	414	965	724
10	207	12.6	17.8	18.5	482	82.5	414	827	621
12	207	15.6	24.1	25.15	1 036	98.5	414	827	621
16	207	21.6	31.2	32.3	1 518	127	414	827	621
20	207	28.0	41.7	41.7	2 753	304.8	414	827	621
24	207	34.5	46.7	48.3	2 842	355.6	414	827	621

NOTES:

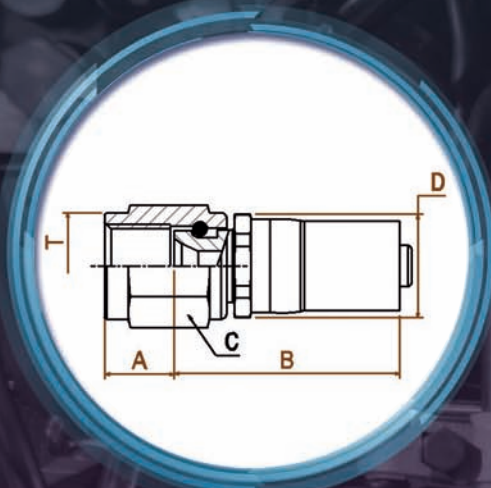
/1/ Over minimum 12 inch length

/2/ Inside of bend

TITEFLEX R160 (240 SERIES) FLARED (JIC) FITTINGS

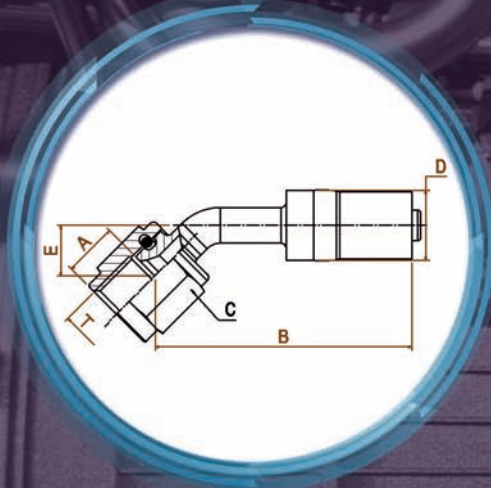
ENGLISH - INCHES

STRAIGHT FLARED FITTINGS - MATES WITH AS33656/AS4395 & AS33657/AS4396



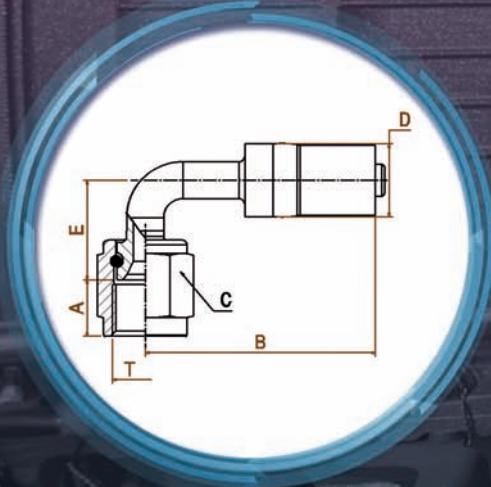
HOSE SIZE	PART NUMBER	NUT THREAD SIZE (T)	NUT ENGAGEMENT LENGTH (A)	REACH MAX (B)	NUT SIZE (C)	COLLAR HEX SIZE (D)	DROP (E)	GAGE POINT (F)	WEIGHT (LB) CRES
4	Y40004-72	.4375-20	0.372	1.300	0.562	0.690	NA	NA	0.063
6	Y40006-72	.5625-18	0.375	1.470	0.688	0.800	NA	NA	0.87
8	Y40008-72	.7500-16	0.438	1.610	0.875	0.970	NA	NA	0.146
10	Y40010-72	.8750-14	0.515	1.670	1.000	1.100	NA	NA	0.195
12	Y40012-72	1.0625-12	0.562	1.910	1.250	1.380	NA	NA	0.351
16	Y40016-72	1.3125-12	0.620	2.250	1.500	1.660	NA	NA	0.558
20	Y40020-72	1.6250-12	0.620	2.810	1.812	1.060	NA	NA	1.274
24	Y40024-72	1.8750-12	0.765	3.170	2.125	2.460	NA	NA	1.640

45° ELBOW FLARED FITTINGS - MATES WITH AS33656/AS4395 & AS33657/AS4396



HOSE SIZE	PART NUMBER	NUT THREAD SIZE (T)	NUT ENGAGEMENT LENGTH (A)	REACH MAX (B)	NUT SIZE (C)	COLLAR HEX SIZE (D)	DROP (E)	GAGE POINT (F)	WEIGHT (LB) CRES
4	Y40104-72	.4375-20	0.372	1.930	0.562	0.690	0.348	NA	0.066
6	Y40106-72	.5625-18	0.375	2.070	0.688	0.800	0.471	NA	0.101
8	Y40108-72	.7500-16	0.438	2.320	0.875	0.970	0.572	NA	0.171
10	Y40110-72	.8750-14	0.515	2.560	1.000	1.100	0.643	NA	0.230
12	Y40112-72	1.0625-12	0.562	2.990	1.250	1.380	0.680	NA	0.410
16	Y40116-72	1.3125-12	0.620	3.750	1.500	1.660	0.790	NA	0.683

90° ELBOW FLARED FITTINGS - MATES WITH AS33656/AS4395 & AS33657/AS4396



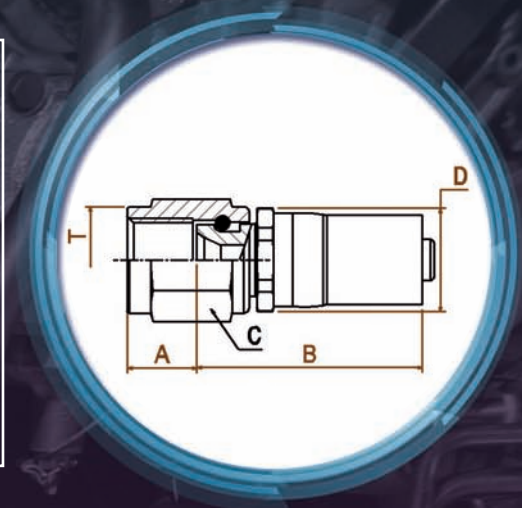
HOSE SIZE	PART NUMBER	NUT THREAD SIZE (T)	NUT ENGAGEMENT LENGTH (A)	REACH MAX (B)	NUT SIZE (C)	COLLAR HEX SIZE (D)	DROP (E)	GAGE POINT (F)	WEIGHT (LB) CRES
4	Y40204-72	.4375-20	0.372	1.530	0.562	0.690	0.642	NA	0.066
6	Y40206-72	.5625-18	0.375	1.840	0.688	0.800	0.890	NA	0.106
8	Y40208-72	.7500-16	0.438	2.050	0.875	0.970	1.107	NA	0.182
10	Y40210-72	.8750-14	0.515	2.410	1.000	1.100	1.281	NA	0.251
12	Y40212-72	1.0625-12	0.562	2.770	1.250	1.380	1.405	NA	0.443
16	Y40216-72	1.3125-12	0.620	3.350	1.500	1.660	1.833	NA	0.745

TITEFLEX R160 (240 SERIES) FLARED (JIC) FITTINGS

METRIC - MILLIMETERS

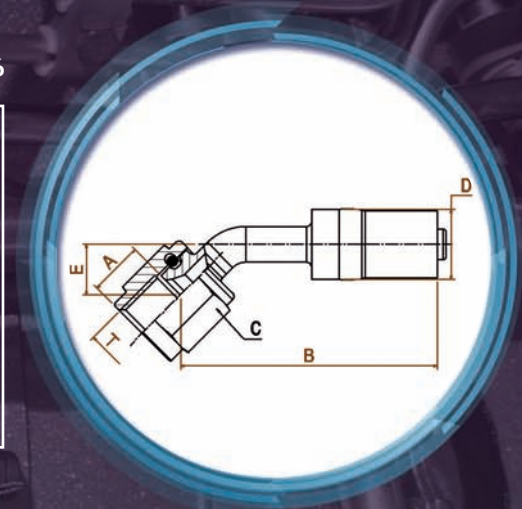
STRAIGHT FLARED FITTINGS - MATES WITH AS33656/AS4395 & AS33657/AS4396

HOSE SIZE	PART NUMBER	NUT THREAD SIZE (T)	NUT ENGAGEMENT LENGTH (A)	REACH MAX (B)	NUT SIZE (C)	COLLAR HEX SIZE (D)	DROP (E)	GAGE POINT (F)	WEIGHT (GRAMS) CRES
4	Y40004-72	.4375-20	9.4	33.0	14.3	17.5	NA	NA	28.5
6	Y40006-72	.5625-18	9.5	37.3	17.5	20.3	NA	NA	39.4
8	Y40008-72	.7500-16	11.1	40.9	22.2	24.6	NA	NA	66
10	Y40010-72	.8750-14	13.1	42.4	25.4	27.9	NA	NA	88.3
12	Y40012-72	1.0625-12	14.3	48.5	31.8	35.1	NA	NA	159
16	Y40016-72	1.3125-12	15.7	57.2	38.1	42.2	NA	NA	253
20	Y40020-72	1.6250-12	15.7	71.4	46.0	52.3	NA	NA	578
24	Y40024-72	1.8750-12	19.4	80.5	54.0	62.5	NA	NA	744



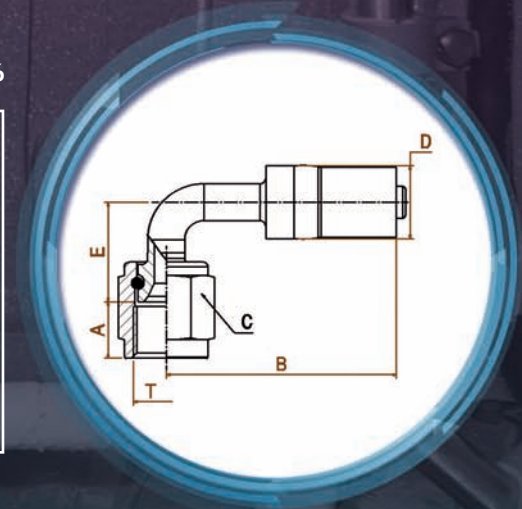
45° ELBOW FLARED FITTINGS - MATES WITH AS33656/AS4395 & AS33657/AS4396

HOSE SIZE	PART NUMBER	NUT THREAD SIZE (T)	NUT ENGAGEMENT LENGTH (A)	REACH MAX (B)	NUT SIZE (C)	COLLAR HEX SIZE (D)	DROP (E)	GAGE POINT (F)	WEIGHT (GRAMS) CRES
4	Y40104-72	.4375-20	9.4	49.0	14.3	17.5	8.8	NA	30
6	Y40106-72	.5625-18	9.5	52.6	17.5	20.3	12.0	NA	46
8	Y40108-72	.7500-16	11.1	58.9	22.2	24.6	14.5	NA	77.5
10	Y40110-72	.8750-14	13.1	65.0	25.4	27.9	16.3	NA	104.5
12	Y40112-72	1.0625-12	14.3	75.9	31.8	35.1	17.3	NA	186
16	Y40116-72	1.3125-12	15.7	95.3	38.1	42.2	20.1	NA	310



90° ELBOW FLARED FITTINGS - MATES WITH AS33656/AS4395 & AS33657/AS4396

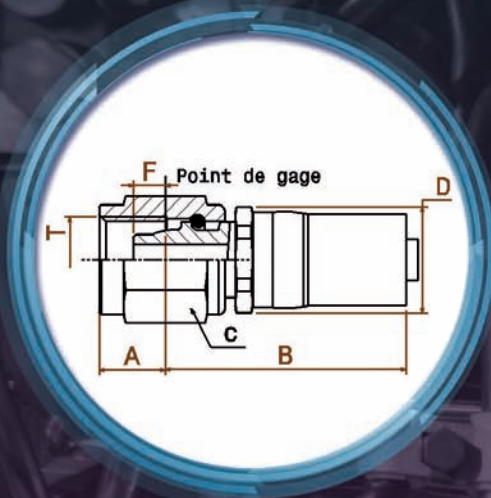
HOSE SIZE	PART NUMBER	NUT THREAD SIZE (T)	NUT ENGAGEMENT LENGTH (A)	REACH MAX (B)	NUT SIZE (C)	COLLAR HEX SIZE (D)	DROP (E)	GAGE POINT (F)	WEIGHT (GRAMS) CRES
4	Y40204-72	.4375-20	9.4	38.9	14.3	17.5	16.3	NA	30
6	Y40206-72	.5625-18	9.5	46.7	17.5	20.3	22.6	NA	48
8	Y40208-72	.7500-16	11.1	52.1	22.2	24.6	28.1	NA	82.5
10	Y40210-72	.8750-14	13.1	61.2	25.4	27.9	32.5	NA	114
12	Y40212-72	1.0625-12	14.3	70.4	31.8	35.1	35.7	NA	201
16	Y40216-72	1.3125-12	15.7	85.1	38.1	42.2	46.6	NA	338



TITEFLEX R160 (240 SERIES) FLARELESS (NAS) FITTINGS

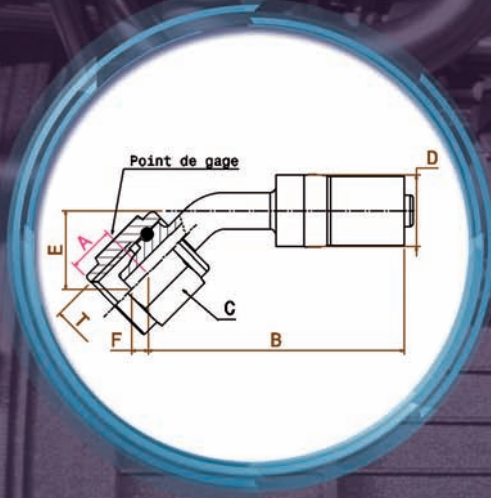
ENGLISH - INCHES

STRAIGHT FLARELESS FITTINGS - MATES WITH AS33514/AS33515 & AS4375/AS4377



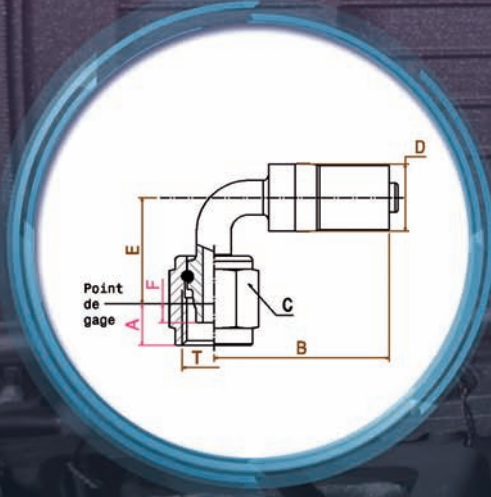
HOSE SIZE	PART NUMBER	NUT THREAD SIZE (T)	NUT ENGAGEMENT LENGTH (A)	REACH MAX (B)	NUT SIZE (C)	COLLAR HEX SIZE (D)	DROP (E)	GAGE POINT (F)	WEIGHT (LB) CRES
4	Y40404-72	.4375-20	0.320	1.360	0.562	.690	NA	0.155	0.063
6	Y40406-72	.5625-18	0.326	1.520	0.688	.800	NA	0.164	0.097
8	Y40408-72	.7500-16	0.368	1.680	0.875	.970	NA	0.189	0.152
10	Y40410-72	.8750-14	0.396	1.790	1.000	1.100	NA	0.201	0.203
12	Y40412-72	1.0625-12	0.421	2.050	1.250	1.380	NA	0.228	0.450
16	Y40416-72	1.3125-12	0.425	2.450	1.500	1.660	NA	0.297	0.626
20	Y40420-72	1.6250-12	0.452	2.990	1.812	2.060	NA	0.300	1.418
24	Y40424-72	1.8750-12	0.765	3.500	2.125	2.460	NA	0.3650	2.048

45° ELBOW FLARELESS FITTINGS - MATES WITH AS33514/AS33515 & AS4375/AS4377



HOSE SIZE	PART NUMBER	NUT THREAD SIZE (T)	NUT ENGAGEMENT LENGTH (A)	REACH MAX (B)	NUT SIZE (C)	COLLAR HEX SIZE (D)	DROP (E)	GAGE POINT (F)	WEIGHT (LB) CRES
4	Y40504-72	.4375-20	0.320	1.950	0.562	.690	0.419	0.110	0.069
6	Y40506-72	.5625-18	0.326	2.100	0.688	.800	0.544	0.116	0.110
8	Y40508-72	.7500-16	0.368	2.370	0.875	.970	0.601	0.133	0.174
10	Y40510-72	.8750-14	0.396	2.640	1.000	1.100	0.735	0.143	0.243
12	Y40512-72	1.0625-12	0.421	3.060	1.250	1.380	0.735	0.162	0.529
16	Y40516-72	1.3125-12	0.425	3.840	1.500	1.660	0.936	0.210	0.802

90° ELBOW FLARELESS FITTINGS - MATES WITH AS33514/AS33515 & AS4375/AS4377



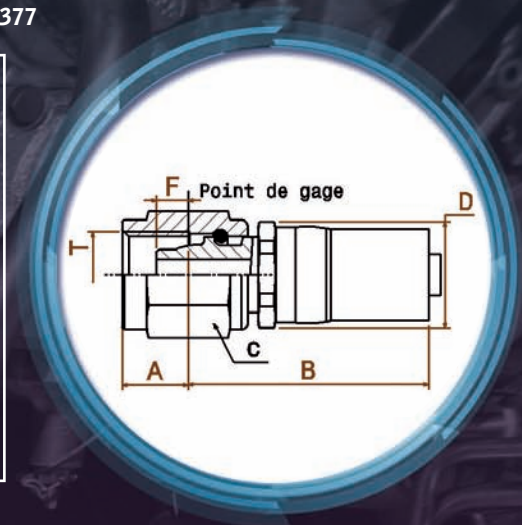
HOSE SIZE	PART NUMBER	NUT THREAD SIZE (T)	NUT ENGAGEMENT LENGTH (A)	REACH MAX (B)	NUT SIZE (C)	COLLAR HEX SIZE (D)	DROP (E)	GAGE POINT (F)	WEIGHT (LB) CRES
4	Y40604-72	.4375-20	0.320	1.470	0.562	.690	0.774	0.155	0.069
6	Y40606-72	.5625-18	0.326	1.790	0.688	.800	0.995	0.164	0.115
8	Y40608-72	.7500-16	0.368	2.070	0.875	.970	1.149	0.189	0.194
10	Y40610-72	.8750-14	0.396	2.230	1.000	1.100	1.411	0.201	0.260
12	Y40612-72	1.0625-12	0.421	2.800	1.250	1.380	1.485	0.228	0.547
16	Y40616-72	1.3125-12	0.425	3.520	1.500	1.660	1.914	0.297	0.825

TITEFLEX R160 (240 SERIES) FLARELESS (NAS) FITTINGS

METRIC - MILLIMETERS

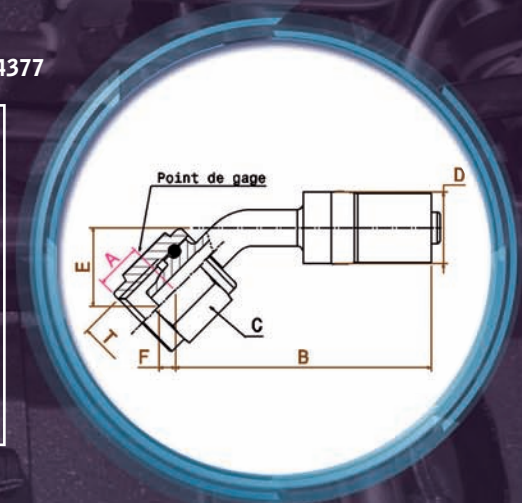
STRAIGHT FLARELESS FITTINGS - MATES WITH AS33514/AS33515 & AS4375/AS4377

HOSE SIZE	PART NUMBER	NUT THREAD SIZE (T)	NUT ENGAGEMENT LENGTH (A)	REACH MAX (B)	NUT SIZE (C)	COLLAR HEX SIZE (D)	DROP (E)	GAGE POINT (F)	WEIGHT (GRAMS) CRES
4	Y40404-72	.4375-20	8.1	34.5	14.3	17.5	NA	3.94	28.5
6	Y40406-72	.5625-18	8.3	38.6	17.5	20.3	NA	4.17	44
8	Y40408-72	.7500-16	9.3	42.7	22.2	24.6	NA	4.80	69
10	Y40410-72	.8750-14	10.1	45.5	25.4	27.9	NA	5.11	92
12	Y40412-72	1.0625-12	10.7	52.1	31.8	35.1	NA	5.79	204
16	Y40416-72	1.3125-12	10.8	62.2	38.1	42.2	NA	7.54	284
20	Y40420-72	1.6250-12	11.5	75.9	46.0	52.3	NA	7.62	643
24	Y40424-72	1.8750-12	19.4	88.9	54.0	62.5	NA	9.27	929



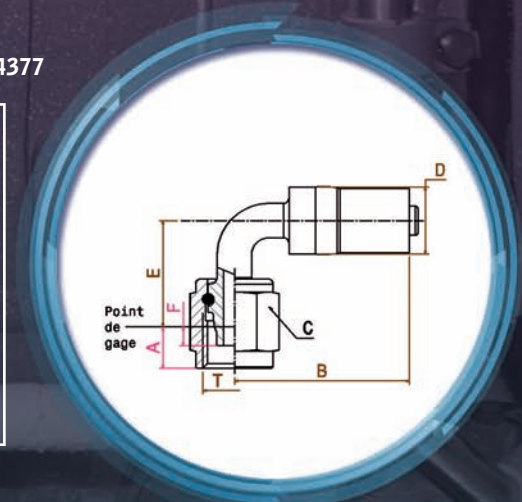
45° ELBOW FLARELESS FITTINGS - MATES WITH AS33514/AS33515 & AS4375/AS4377

HOSE SIZE	PART NUMBER	NUT THREAD SIZE (T)	NUT ENGAGEMENT LENGTH (A)	REACH MAX (B)	NUT SIZE (C)	COLLAR HEX SIZE (D)	DROP (E)	GAGE POINT (F)	WEIGHT (GRAMS) CRES
4	Y40504-72	.4375-20	8.1	49.5	14.3	17.5	10.6	2.79	31.5
6	Y40506-72	.5625-18	8.3	53.3	17.5	20.3	13.8	2.95	50
8	Y40508-72	.7500-16	9.3	60.2	22.2	24.6	15.3	3.38	79
10	Y40510-72	.8750-14	10.1	67.1	25.4	27.9	18.7	3.63	110
12	Y40512-72	1.0625-12	10.7	77.7	31.8	35.1	18.7	4.11	240
16	Y40516-72	1.3125-12	10.8	9.5	38.1	42.2	23.8	5.33	364



90° ELBOW FLARELESS FITTINGS - MATES WITH AS33514/AS33515 & AS4375/AS4377

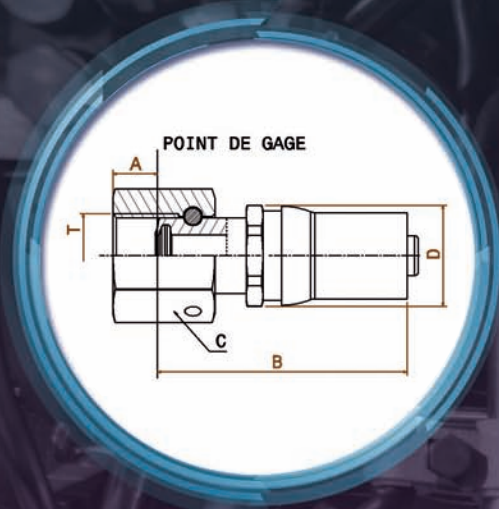
HOSE SIZE	PART NUMBER	NUT THREAD SIZE (T)	NUT ENGAGEMENT LENGTH (A)	REACH MAX (B)	NUT SIZE (C)	COLLAR HEX SIZE (D)	DROP (E)	GAGE POINT (F)	WEIGHT (GRAMS) CRES
4	Y40604-72	.4375-20	8.1	37.3	14.3	17.5	19.7	3.94	31.5
6	Y40606-72	.5625-18	8.3	45.5	17.5	20.3	25.3	4.17	52
8	Y40608-72	.7500-16	9.3	52.6	22.2	24.6	29.2	4.80	88
10	Y40610-72	.8750-14	10.1	56.6	25.4	27.9	35.8	5.11	118
12	Y40612-72	1.0625-12	10.7	71.1	31.8	35.1	37.7	5.79	248
16	Y40616-72	1.3125-12	10.8	89.4	38.1	42.2	48.6	7.54	374



TITEFLEX R160 (240 SERIES) DUALSEAL FITTINGS

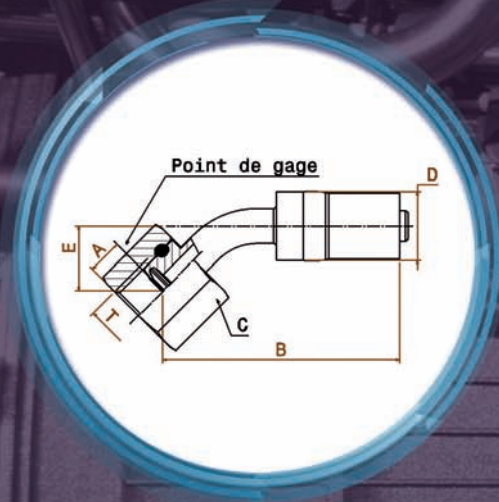
ENGLISH - INCHES

STRAIGHT DUALSEAL FITTINGS - MATES WITH MIL-F-85421/1 & /2 & AS4207



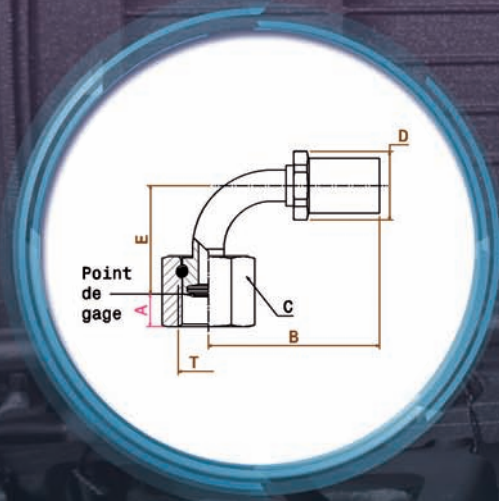
HOSE SIZE	PART NUMBER	NUT THREAD SIZE (T)	NUT ENGAGEMENT LENGTH (A)	REACH MAX (B)	NUT SIZE (C)	COLLAR HEX SIZE (D)	DROP (E)	GAGE POINT (F)	WEIGHT (LB) CRES
4	Y43004-72	.4375-24	0.215	1.290	0.562	.690	NA	NA	0.075
6	Y43006-72	.5625-20	0.235	1.430	0.688	.800	NA	NA	0.119
8	Y43008-72	.7188-20	0.248	1.460	0.875	.970	NA	NA	0.130
10	Y43010-72	.8438-18	0.312	1.490	1.000	1.100	NA	NA	0.229
12	Y43012-72	1.000-16	0.352	1.760	1.250	1.380	NA	NA	0.290
16	Y43016-72	1.2500-14	0.380	2.140	1.500	1.660	NA	NA	0.530

45° ELBOW DUALSEAL FITTINGS - MATES WITH MIL-F-85421/1 & /2 & AS4207



HOSE SIZE	PART NUMBER	NUT THREAD SIZE (T)	NUT ENGAGEMENT LENGTH (A)	REACH MAX (B)	NUT SIZE (C)	COLLAR HEX SIZE (D)	DROP (E)	GAGE POINT (F)	WEIGHT (LB) CRES
4	Y43104-72	.4375-24	0.215	1.900	0.562	.690	0.480	NA	0.077
6	Y43106-72	.5625-20	0.235	2.230	0.688	.800	0.570	NA	0.119
8	Y43108-72	.7188-20	0.248	2.300	0.875	.970	0.645	NA	0.1440
10	Y43110-72	.8438-18	0.312	2.460	1.000	1.100	0.736	NA	0.190
12	Y43112-72	1.000-16	0.352	2.890	1.250	1.380	0.788	NA	0.340
16	Y43116-72	1.2500-14	0.380	3.420	1.500	1.660	0.917	NA	0.670

90° ELBOW DUALSEAL FITTINGS - MATES WITH MIL-F-85421/1 & /2 & AS4207



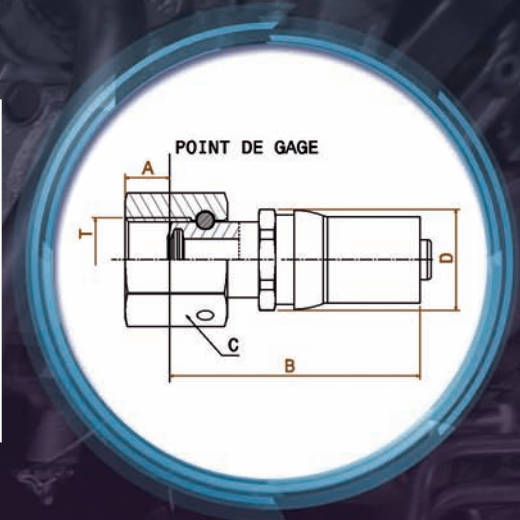
HOSE SIZE	PART NUMBER	NUT THREAD SIZE (T)	NUT ENGAGEMENT LENGTH (A)	REACH MAX (B)	NUT SIZE (C)	COLLAR HEX SIZE (D)	DROP (E)	GAGE POINT (F)	WEIGHT (LB) CRES
4	Y43204-72	.4375-24	0.215	1.690	0.562	.690	0.825	NA	0.082
6	Y43206-72	.5625-20	0.235	2.100	0.688	.800	1.062	NA	0.126
8	Y43208-72	.7188-20	0.248	1.930	0.875	.970	1.210	NA	0.150
10	Y43210-72	.8438-18	0.312	2.070	1.000	1.100	1.414	NA	0.200
12	Y43212-72	1.000-16	0.352	2.530	1.250	1.380	1.560	NA	0.360
16	Y43216-72	1.2500-14	0.380	3.070	1.500	1.660	1.888	NA	0.680

TITEFLEX R160 (240 SERIES) DUALSEAL FITTINGS

METRIC - MILLIMETERS

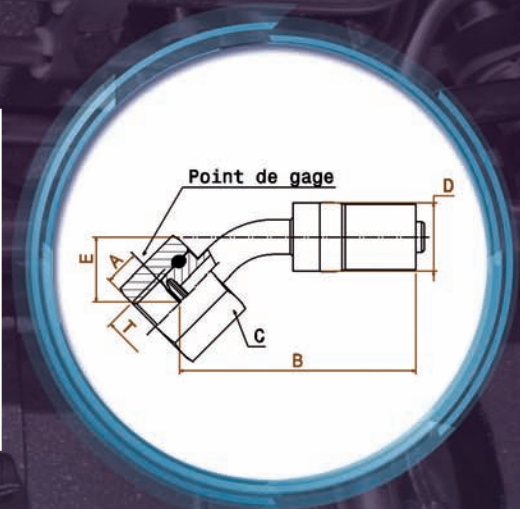
STRAIGHT DUALSEAL FITTINGS - MATES WITH MIL-F-85421/1 & /2 & AS4207

HOSE SIZE	PART NUMBER	NUT THREAD SIZE (T)	NUT ENGAGEMENT LENGTH (A)	REACH MAX (B)	NUT SIZE (C)	COLLAR HEX SIZE (D)	DROP (E)	GAGE POINT (F)	WEIGHT (GRAMS) CRES
4	Y43004-72	.4375-24	5.5	1.290	14.3	17.5	NA	NA	34
6	Y43006-72	.5625-20	6.0	1.430	17.5	20.3	NA	NA	54
8	Y43008-72	.7188-20	6.3	1.460	22.2	24.6	NA	NA	59
10	Y43010-72	.8438-18	7.9	1.490	25.4	27.9	NA	NA	104
12	Y43012-72	1.000-16	8.9	1.760	28.1	35.1	NA	NA	131.542
16	Y43016-72	1.2500-14	9.7	2.140	38.1	42.2	NA	NA	240.404



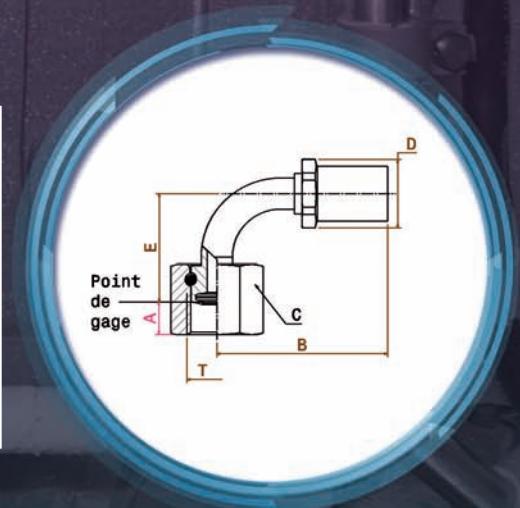
45° ELBOW DUALSEAL FITTINGS - MATES WITH MIL-F-85421/1 & /2 & AS4207

HOSE SIZE	PART NUMBER	NUT THREAD SIZE (T)	NUT ENGAGEMENT LENGTH (A)	REACH MAX (B)	NUT SIZE (C)	COLLAR HEX SIZE (D)	DROP (E)	GAGE POINT (F)	WEIGHT (GRAMS) CRES
4	Y43104-72	.4375-24	5.5	48.3	14.3	17.5	12.2	NA	35
6	Y43106-72	.5625-20	6.0	56.6	17.5	20.3	14.5	NA	54
8	Y43108-72	.7188-20	6.3	58.4	22.2	24.6	16.4	NA	63.5029
10	Y43110-72	.8438-18	7.9	62.5	25.4	27.9	18.7	NA	86.1826
12	Y43112-72	1.000-16	8.9	73.4	28.1	35.1	20.0	NA	154.221
16	Y43116-72	1.2500-14	9.7	86.9	38.1	42.2	23.3	NA	303.907



90° ELBOW DUALSEAL FITTINGS - MATES WITH MIL-F-85421/1 & /2 & AS4207

HOSE SIZE	PART NUMBER	NUT THREAD SIZE (T)	NUT ENGAGEMENT LENGTH (A)	REACH MAX (B)	NUT SIZE (C)	COLLAR HEX SIZE (D)	DROP (E)	GAGE POINT (F)	WEIGHT (GRAMS) CRES
4	Y43204-72	.4375-24	5.5	42.9	14.3	17.5	21.0	NA	37
6	Y43206-72	.5625-20	6.0	53.3	17.5	20.3	27.0	NA	57
8	Y43208-72	.7188-20	6.3	49.0	22.2	24.6	30.7	NA	68.0389
10	Y43210-72	.8438-18	7.9	52.6	25.4	27.9	35.9	NA	90.7185
12	Y43212-72	1.000-16	8.9	64.3	28.1	35.1	39.6	NA	163.293
16	Y43216-72	1.2500-14	9.7	78.0	38.1	42.2	48.0	NA	308.443



SERIES: 250
SPECIFICATION: Mil-Dtl-26633
BRAID: CRES
INNERCORE: PTFE Smoothbore
QUALIFICATIONS: Mil-Dtl-26633

R162 (250 SERIES):

R162 (250 Series) is a lightweight 3000 PSI (207 Bar) oxygen hose qualified to MIL-DTL-26633. The hose consists of an extruded smoothbore non-conductive PTFE innercore, reinforced with CRES 304 wire braid. It is based on the 240 Series, but features a non-conductive PTFE innercore specifically for use in high pressure oxygen systems supporting space vehicle and military applications. PTFE provides excellent chemical resistance with an unlimited shelf life. In accordance with MIL-DTL-26633 the 250 Series operating temperature range is -65°F to +165°F (-54°C to +71°C). Hybrid assemblies combining flex hose with multi-bend tube are a Titeflex specialty and provide improved vibration dampening, ease of installation, and maintenance over strictly rigid tube.



Size 8 depicted (Not to scale). Actual construction varies by size.

ENGLISH

HOSE SIZE	OPERATING PRESSURE	HOSE ID (MIN)	HOSE OD (MIN)	HOSE OD (MAX)	BRAIDED HOSE WT/1/	BEND RADIUS (MIN) /2/	PROOF PRESSURE	ROOM TEMP BURST (MIN)	HIGH TEMP BURST (MIN)
	psi	in	in	in	lb/in	in	psi	psi	psi
4	3,000	0.212	0.36	0.703	0.009	3.25	6,000	16,000	12,000

NOTES:
 /1/ Over minimum 12 inch length
 /2/ Inside of bend

R162 (250 SERIES) FITTING INFORMATION:
 See pages 42-47. Same fitting information as Titeflex R160 (240 series) hose size 4.



TITFLEX R162 (250 SERIES)

METRIC

HOSE SIZE	OPERATING PRESSURE	HOSE ID (MIN)	HOSE OD (MIN)	HOSE OD (MAX)	BRAIDED HOSE WT/1/	BEND RADIUS (MIN) /2/	PROOF PRESSURE	ROOM TEMP BURST (MIN)	HIGH TEMP BURST (MIN)
	bar	mm	mm	mm	g/m	mm	bar	bar	br
4	207	5.4	9.1	17.9	161	150	414	1,103	827

NOTES:
 /1/ Over minimum 12 inch length
 /2/ Inside of bend

SERIES: 660
SPECIFICATION: SAE AS604
BRAID: CRES
INNERCORE: PTFE Smoothbore
QUALIFICATIONS: SAE AS604,
 TSO C75 Type IIIB-S/P-F,
 AS1055 Type IIa & IIb, Class A & B,
 Integral and Slip-on Firesleeve

R157 (660 SERIES):

R157 (660 series) is a heavyweight 3000psi (207 bar) aerospace hose assembly qualified to AS604. The hose consists of an extruded smoothbore PTFE innercore, reinforced with multiple layers of CRES 304 wire braid. The PTFE innercore is conductive and provides excellent chemical resistance through a temperature range of -65°F to +400°F (-54°C to +204°C) with unlimited shelf life. The 660 Series is especially suited to applications with significant impulsing, and outputs from hydraulic or pneumatic pumps. Standard fittings are CRES, however titanium fittings are also available. Fire protection per AS1055 Class A & B can be either integral, or slip-on AS1072 firesleeve. Chafe sleeves are available in a variety of integral or slip-on materials. Hybrid assemblies combining flex hose with multi-bend tube are a Titeflex specialty and provide improved vibration dampening, ease of installation, and maintenance over strictly rigid tube.



Hose size 8 depicted (Not to scale). Actual hose construction varies by size.

ENGLISH

HOSE SIZE	OPERATING PRESSURE	HOSE ID (MIN)	HOSE OD (MIN)	HOSE OD (MAX)	BRAIDED HOSE WT/1/	BEND RADIUS (MIN)/2/	PROOF PRESSURE	ROOM TEMP BURST (MIN)	HIGH TEMP BURST (MIN)
	psi	in	in	in	lb/in	in	psi	psi	psi
4	3,000	0.224	0.39	0.41	0.011	3	6,000	16,000	12,000
6	3,000	0.298	0.535	0.595	0.028	5	6,000	14,000	10,500
8	3,000	0.391	0.675	0.735	0.04	5.750	6,000	14,000	10,500
10	3,000	0.485	0.875	0.935	0.062	6.5	6,000	12,000	9,000
12	3,000	0.602	1.03	1.09	0.086	7.75	6,000	12,000	9,000
16	3,000	0.852	1.35	1.41	0.14	9.63	6,000	12,000	9,000

NOTES:
 /1/ Over minimum 12 inch length
 /2/ Inside of bend



TITFLEX R157 (660 SERIES)

METRIC

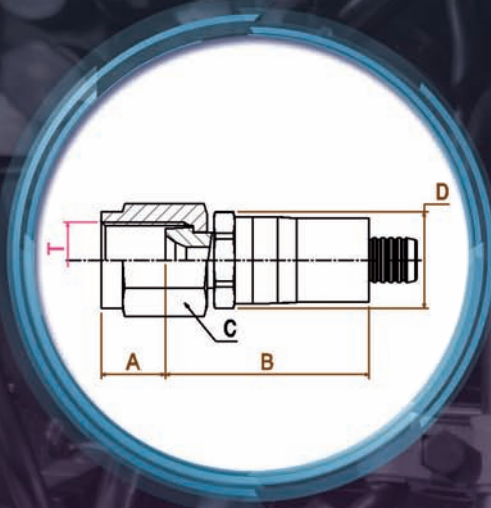
HOSE SIZE	OPERATING PRESSURE	HOSE ID (MIN)	HOSE OD (MIN)	HOSE OD (MAX)	BRAIDED HOSE WT/1/	BEND RADIUS (MIN) /2/	PROOF PRESSURE	ROOM TEMP BURST (MIN)	HIGH TEMP BURST (MIN)
	bar	mm	mm	mm	g/m	mm	bar	bar	bar
4	207	5.69	9.91	10.41	199	76.2	414	1,103	827
6	207	7.6	14.2	15	500	127	414	965	724
8	207	10	17.4	18.16	714	146	414	965	724
10	207	13.3	22.2	23	1 107	165	414	827	621
12	207	16.5	26.4	27.43	1 536	197	414	827	621
16	207	22.1	34.3	35.31	2 500	244	414	827	621

NOTES:
 /1/ Over minimum 12 inch length
 /2/ Inside of bend

TITEFLEX R157 (660 SERIES) FLARED (JIC) FITTINGS

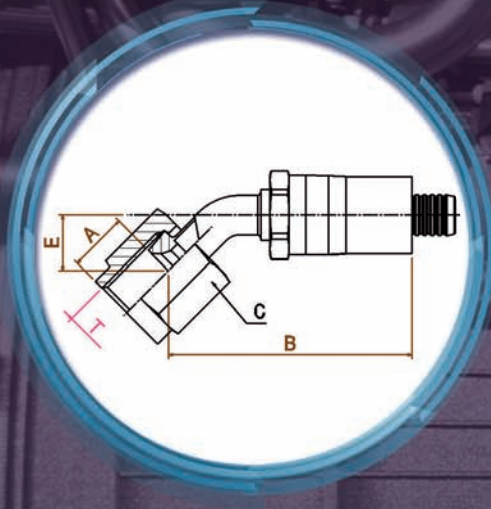
ENGLISH - INCHES

STRAIGHT FLARED FITTINGS - MATES WITH AS33656/AS4395 & AS33657/AS4396



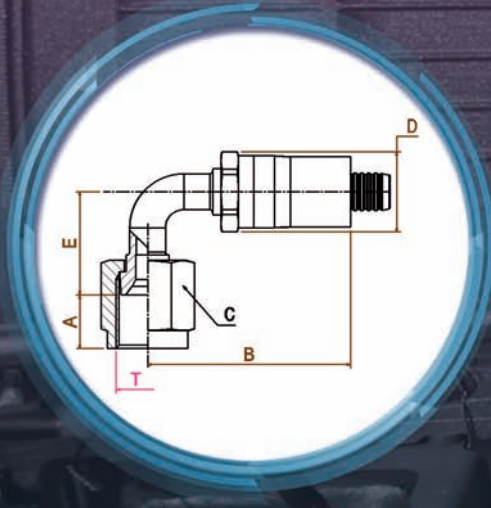
HOSE SIZE	PART NUMBER	NUT THREAD SIZE (T)	NUT ENGAGEMENT LENGTH (A)	REACH MAX (B)	NUT SIZE (C)	COLLAR HEX SIZE (D)	DROP (E)	GAGE POINT (F)	WEIGHT (LB) CRES
4	Y40004-22	.4375-20	0.372	1.510	0.562	.875	NA	NA	0.066
6	Y40006-22	.5625-18	0.375	1.800	0.688	1.000	NA	NA	0.119
8	Y40008-22	.7500-16	0.438	2.040	0.875	1.200	NA	NA	0.196
10	Y40010-22	.8750-14	0.515	2.310	1.000	1.406	NA	NA	0.249
12	Y40012-22	1.0625-12	0.562	2.490	1.250	1.687	NA	NA	0.439
16	Y40016-22	1.3125-12	0.620	2.670	1.500	2.000	NA	NA	0.649

45° ELBOW FLARED FITTINGS - MATES WITH AS33656/AS4395 & AS33657/AS4396



HOSE SIZE	PART NUMBER	NUT THREAD SIZE (T)	NUT ENGAGEMENT LENGTH (A)	REACH MAX (B)	NUT SIZE (C)	COLLAR HEX SIZE (D)	DROP (E)	GAGE POINT (F)	WEIGHT (LB) CRES
4	Y40104-24	.4375-20	0.372	1.900	0.562	.875	0.348	NA	0.074
6	Y40106-24	.5625-18	0.375	2.250	0.688	1.000	0.471	NA	0.134
8	Y40108-24	.7500-16	0.438	2.650	0.875	1.200	0.572	NA	0.218
10	Y40110-24	.8750-14	0.515	3.190	1.000	1.406	0.643	NA	0.299
12	Y40112-24	1.0625-12	0.562	3.560	1.250	1.687	0.680	NA	0.495
16	Y40116-24	1.3125-12	0.620	4.350	1.500	2.000	0.790	NA	0.721

90° ELBOW FLARED FITTINGS - MATES WITH AS33656/AS4395 & AS33657/AS4396



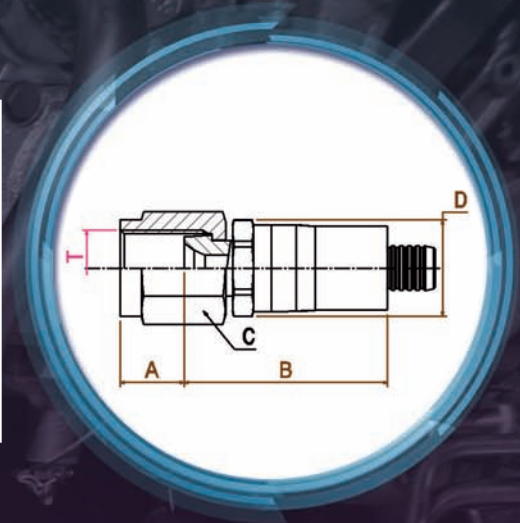
HOSE SIZE	PART NUMBER	NUT THREAD SIZE (T)	NUT ENGAGEMENT LENGTH (A)	REACH MAX (B)	NUT SIZE (C)	COLLAR HEX SIZE (D)	DROP (E)	GAGE POINT (F)	WEIGHT (LB) CRES
4	Y40204-24	.4375-20	0.372	1.580	0.562	.875	0.642	NA	0.074
6	Y40206-24	.5625-18	0.375	1.800	0.688	1.000	0.890	NA	0.139
8	Y40208-24	.7500-16	0.438	2.400	0.875	1.200	1.107	NA	0.227
10	Y40210-24	.8750-14	0.515	3.040	1.000	1.406	1.281	NA	0.314
12	Y40212-24	1.0625-12	0.562	3.350	1.250	1.687	1.405	NA	0.530
16	Y40216-24	1.3125-12	0.620	4.260	1.500	2.000	1.833	NA	0.837

TITEFLEX R157 (660 SERIES) FLARED (JIC) FITTINGS

METRIC - MILLIMETERS

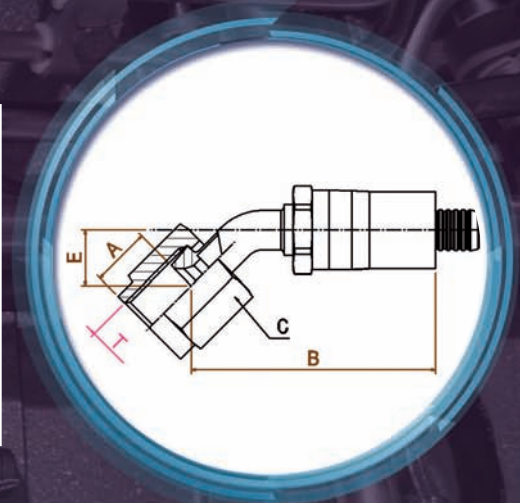
STRAIGHT FLARED FITTINGS - MATES WITH AS33656/AS4395 & AS33657/AS4396

HOSE SIZE	PART NUMBER	NUT THREAD SIZE (T)	NUT ENGAGEMENT LENGTH (A)	REACH MAX (B)	NUT SIZE (C)	COLLAR HEX SIZE (D)	DROP (E)	GAGE POINT (F)	WEIGHT (LB) CRES
4	Y40004-22	.4375-20	9.4	38.4	14.3	22.2	NA	NA	30
6	Y40006-22	.5625-18	9.5	45.7	17.5	25.4	NA	NA	54
8	Y40008-22	.7500-16	11.1	51.8	22.2	30.5	NA	NA	89
10	Y40010-22	.8750-14	13.1	58.7	25.4	35.7	NA	NA	113
12	Y40012-22	1.0625-12	14.3	63.2	31.8	42.8	NA	NA	199
16	Y40016-22	1.3125-12	15.7	67.8	38.1	50.8	NA	NA	294.5



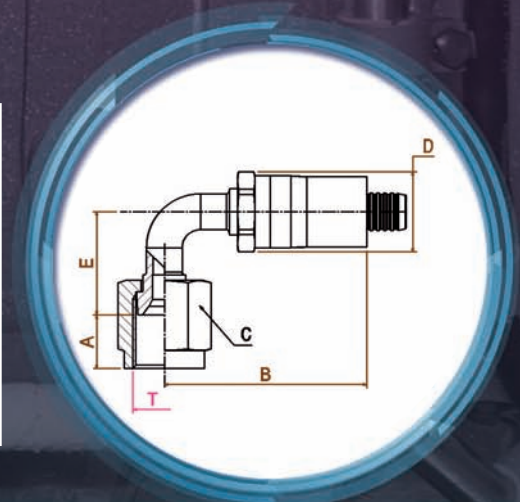
45° ELBOW FLARED FITTINGS - MATES WITH AS33656/AS4395 & AS33657/AS4396

HOSE SIZE	PART NUMBER	NUT THREAD SIZE (T)	NUT ENGAGEMENT LENGTH (A)	REACH MAX (B)	NUT SIZE (C)	COLLAR HEX SIZE (D)	DROP (E)	GAGE POINT (F)	WEIGHT (LB) CRES
4	Y40104-24	.4375-20	9.4	48.3	14.3	22.2	8.8	NA	33.5
6	Y40106-24	.5625-18	9.5	57.2	17.5	25.4	12.0	NA	61
8	Y40108-24	.7500-16	11.1	67.3	22.2	30.5	14.5	NA	99
10	Y40110-24	.8750-14	13.1	81.0	25.4	35.7	16.3	NA	135.5
12	Y40112-24	1.0625-12	14.3	90.4	31.8	42.8	17.3	NA	224.5
16	Y40116-24	1.3125-12	15.7	110.5	38.1	50.8	20.1	NA	327



90° ELBOW FLARED FITTINGS - MATES WITH AS33656/AS4395 & AS33657/AS4396

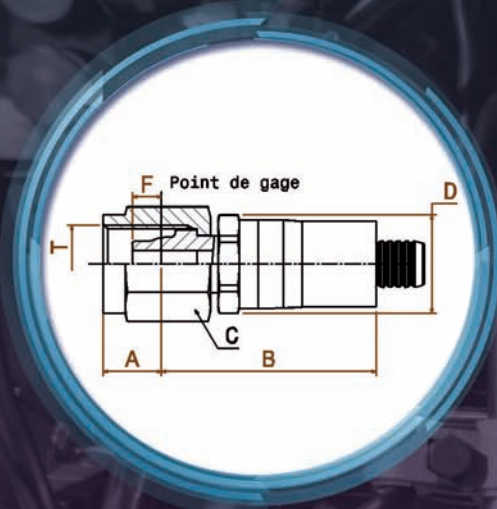
HOSE SIZE	PART NUMBER	NUT THREAD SIZE (T)	NUT ENGAGEMENT LENGTH (A)	REACH MAX (B)	NUT SIZE (C)	COLLAR HEX SIZE (D)	DROP (E)	GAGE POINT (F)	WEIGHT (LB) CRES
4	Y40204-24	.4375-20	9.4	40.1	14.3	22.2	16.3	NA	33.5
6	Y40206-24	.5625-18	9.5	45.7	17.5	25.4	22.6	NA	63
8	Y40208-24	.7500-16	11.1	61.0	22.2	30.5	28.1	NA	103
10	Y40210-24	.8750-14	13.1	77.2	25.4	35.7	32.5	NA	142.5
12	Y40212-24	1.0625-12	14.3	85.1	31.8	42.8	35.7	NA	240.5
16	Y40216-24	1.3125-12	15.7	108.2	38.1	50.8	46.6	NA	379.5



TITEFLEX R157 (660 SERIES) FLARELESS (NAS) FITTINGS

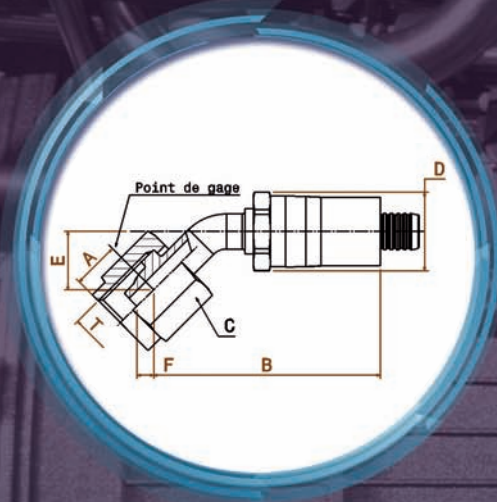
ENGLISH - INCHES

STRAIGHT FLARELESS FITTINGS - MATES WITH AS33514/AS33515 & AS4375/AS4377



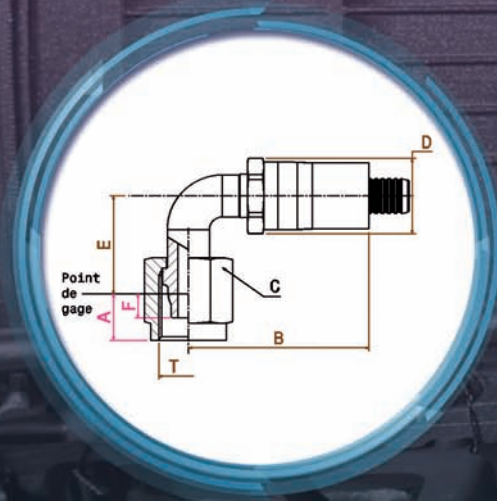
HOSE SIZE	PART NUMBER	NUT THREAD SIZE (T)	NUT ENGAGEMENT LENGTH (A)	REACH MAX (B)	NUT SIZE (C)	COLLAR HEX SIZE (D)	DROP (E)	GAGE POINT (F)	WEIGHT (LB) CRES
4	Y40404-62	.4375-20	0.320	1.560	0.562	.875	NA	0.155	0.071
6	Y40406-62	.5625-18	0.327	1.800	0.688	1.000	NA	0.164	0.117
8	Y40408-62	.7500-16	0.368	2.060	0.875	1.200	NA	0.189	0.192
10	Y40410-62	.8750-14	0.396	2.440	1.000	1.406	NA	0.201	0.265
12	Y40412-62	1.0625-12	0.421	2.560	1.250	1.687	NA	0.228	0.467
16	Y40416-62	1.3125-12	0.425	3.000	1.500	2.000	NA	0.297	0.712

45° ELBOW FLARELESS FITTINGS - MATES WITH AS33514/AS33515 & AS4375/AS4377



HOSE SIZE	PART NUMBER	NUT THREAD SIZE (T)	NUT ENGAGEMENT LENGTH (A)	REACH MAX (B)	NUT SIZE (C)	COLLAR HEX SIZE (D)	DROP (E)	GAGE POINT (F)	WEIGHT (LB) CRES
4	Y40504-64	.4375-20	0.320	2.170	0.562	.875	0.418	0.110	0.073
6	Y40506-64	.5625-18	0.327	2.680	0.688	1.00	0.544	0.116	0.130
8	Y40508-64	.7500-16	0.368	3.110	0.875	1.200	0.601	0.134	0.220
10	Y40510-64	.8750-14	0.396	3.590	1.000	1.406	0.736	0.142	0.302
12	Y40512-64	1.0625-12	0.421	3.670	1.250	1.687	0.735	0.161	0.529
16	Y40516-64	1.3125-12	0.425	4.445	1.500	2.000	0.936	0.210	0.838

90° ELBOW FLARELESS FITTINGS - MATES WITH AS33514/AS33515 & AS4375/AS4377



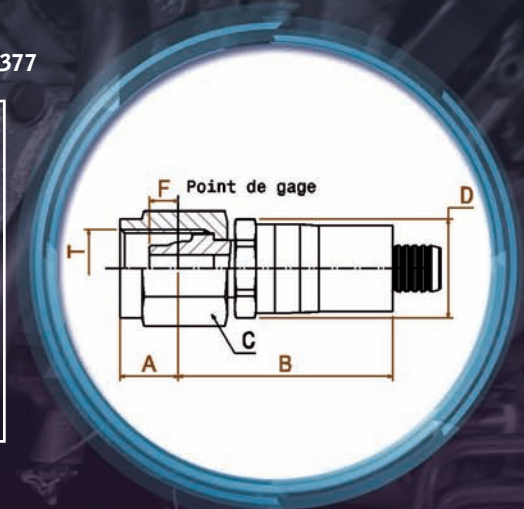
HOSE SIZE	PART NUMBER	NUT THREAD SIZE (T)	NUT ENGAGEMENT LENGTH (A)	REACH MAX (B)	NUT SIZE (C)	COLLAR HEX SIZE (D)	DROP (E)	GAGE POINT (F)	WEIGHT (LB) CRES
4	Y40604-64	.4375-20	0.320	1.580	0.562	.875	0.744	0.155	0.075
6	Y40606-64	.5625-18	0.327	1.800	0.688	1.00	0.995	0.164	0.136
8	Y40608-64	.7500-16	0.368	2.400	0.875	1.200	1.149	0.189	0.233
10	Y40610-64	.8750-14	0.396	3.040	1.000	1.406	1.411	0.201	0.320
12	Y40612-64	1.0625-12	0.421	3.350	1.250	1.687	1.485	0.228	0.560
16	Y40616-64	1.3125-12	0.425	4.260	1.500	2.000	1.914	0.297	0.915

TITEFLEX R157 (660 SERIES) FLARELESS (NAS) FITTINGS

METRIC - MILLIMETERS

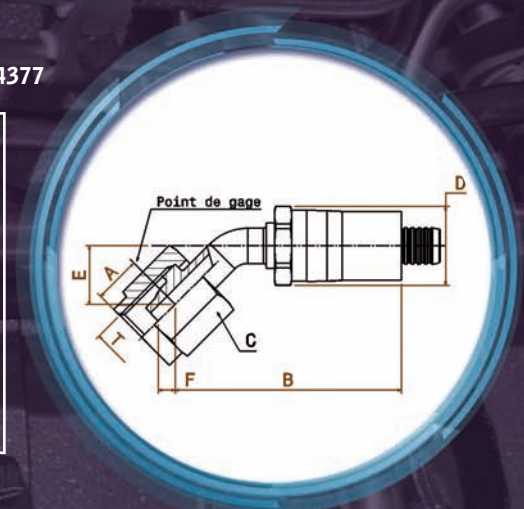
STRAIGHT FLARELESS FITTINGS - MATES WITH AS33514/AS33515 & AS4375/AS4377

HOSE SIZE	PART NUMBER	NUT THREAD SIZE (T)	NUT ENGAGEMENT LENGTH (A)	REACH MAX (B)	NUT SIZE (C)	COLLAR HEX SIZE (D)	DROP (E)	GAGE POINT (F)	WEIGHT (GRAMS) CRES
4	Y40404-62	.4375-20	8.1	39.6	14.3	22.2	NA	3.94	32
6	Y40406-62	.5625-18	8.3	45.7	17.5	25.4	NA	4.17	53
8	Y40408-62	.7500-16	9.3	52.3	22.2	30.5	NA	4.80	87
10	Y40410-62	.8750-14	10.1	62.0	25.4	35.7	NA	5.11	120
12	Y40412-62	1.0625-12	10.7	65.0	31.8	42.8	NA	5.79	212
16	Y40416-62	1.3125-12	10.8	76.2	38.1	50.8	NA	7.54	323



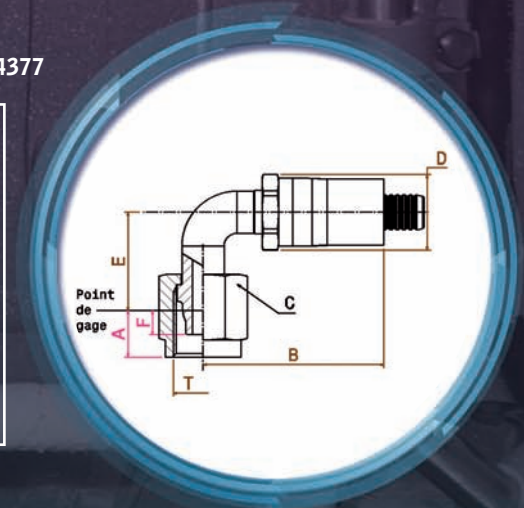
45° ELBOW FLARELESS FITTINGS - MATES WITH AS33514/AS33515 & AS4375/AS4377

HOSE SIZE	PART NUMBER	NUT THREAD SIZE (T)	NUT ENGAGEMENT LENGTH (A)	REACH MAX (B)	NUT SIZE (C)	COLLAR HEX SIZE (D)	DROP (E)	GAGE POINT (F)	WEIGHT (GRAMS) CRES
4	Y40504-64	.4375-20	8.1	55.1	14.3	22.2	10.6	2.79	33
6	Y40506-64	.5625-18	8.3	68.1	17.5	25.4	13.8	2.95	59
8	Y40508-64	.7500-16	9.3	79.0	22.2	30.5	15.3	3.40	100
10	Y40510-64	.8750-14	10.1	91.2	25.4	35.7	18.7	3.61	137
12	Y40512-64	1.0625-12	10.7	93.2	31.8	42.8	18.7	4.09	240
16	Y40516-64	1.3125-12	10.8	112.9	38.1	50.8	23.8	5.33	380



90° ELBOW FLARELESS FITTINGS - MATES WITH AS33514/AS33515 & AS4375/AS4377

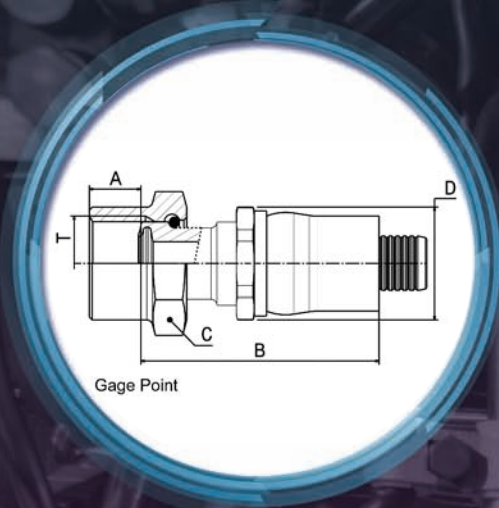
HOSE SIZE	PART NUMBER	NUT THREAD SIZE (T)	NUT ENGAGEMENT LENGTH (A)	REACH MAX (B)	NUT SIZE (C)	COLLAR HEX SIZE (D)	DROP (E)	GAGE POINT (F)	WEIGHT (GRAMS) CRES
4	Y40604-64	.4375-20	8.1	40.1	14.3	22.2	18.9	3.94	34
6	Y40606-64	.5625-18	8.3	45.7	17.5	25.4	25.3	4.17	61.5
8	Y40608-64	.7500-16	9.3	61.0	22.2	30.5	29.2	4.80	105.5
10	Y40610-64	.8750-14	10.1	77.2	25.4	35.7	35.8	5.11	145
12	Y40612-64	1.0625-12	10.7	85.1	31.8	42.8	37.7	5.79	254
16	Y40616-64	1.3125-12	10.8	108.2	38.1	50.8	48.6	7.54	415



TITEFLEX R157 (660 SERIES) DUALSEAL FITTINGS

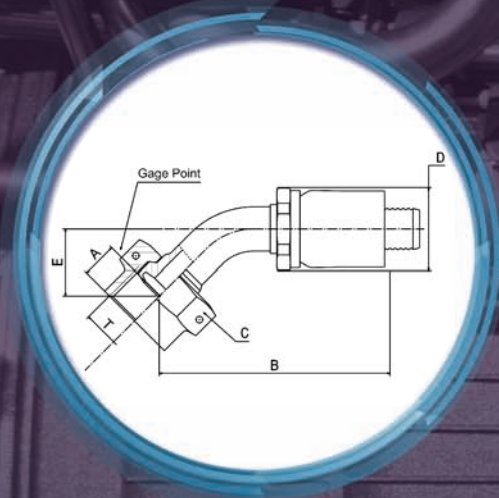
ENGLISH - INCHES

STRAIGHT DUALSEAL FITTINGS - MATES WITH MIL-F-85421/1 & /2 & AS4207



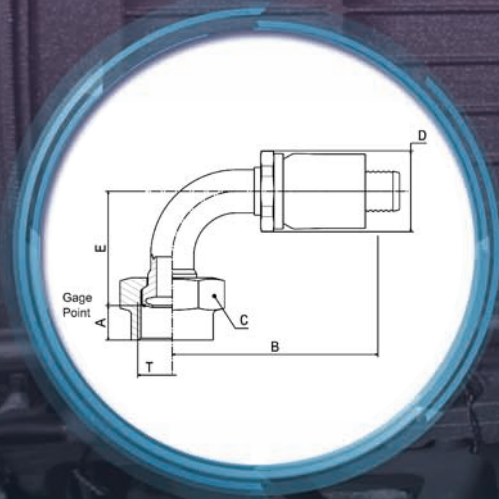
HOSE SIZE	PART NUMBER	NUT THREAD SIZE (T)	NUT ENGAGEMENT LENGTH (A)	REACH MAX (B)	NUT SIZE (C)	COLLAR HEX SIZE (D)	DROP (E)	GAGE POINT (F)	WEIGHT (LB) CRES
4	Y43004-48	.4375-24	0.215	1.530	0.562	.875	NA	NA	0.070
6	Y43006-48	.5625-20	0.235	1.680	0.688	1.000	NA	NA	0.110
8	Y43008-48	.7188-20	0.248	1.800	0.875	1.200	NA	NA	0.170
10	Y43010-48	.8438-18	0.312	2.060	1.000	1.406	NA	NA	0.230
12	Y43012-48	1.0000-16	0.352	2.150	1.250	1.687	NA	NA	0.380
16	Y43016-48	1.2500-14	0.380	2.620	1.500	2.000	NA	NA	0.570

45° ELBOW DUALSEAL FITTINGS - MATES WITH MIL-F-85421/1 & /2 & AS4207



HOSE SIZE	PART NUMBER	NUT THREAD SIZE (T)	NUT ENGAGEMENT LENGTH (A)	REACH MAX (B)	NUT SIZE (C)	COLLAR HEX SIZE (D)	DROP (E)	GAGE POINT (F)	WEIGHT (LB) CRES
4	Y43104-48	.4375-24	0.215	2.310	0.562	.875	0.480	NA	0.070
6	Y43106-48	.5625-20	0.235	2.590	0.688	1.00	0.570	NA	0.120
8	Y43108-48	.7188-20	0.248	2.920	0.875	1.200	0.645	NA	0.190
10	Y43110-48	.8438-18	0.312	3.360	1.000	1.406	0.736	NA	0.260
12	Y43112-48	1.0000-16	0.352	3.670	1.250	1.687	0.788	NA	0.430
16	Y43116-48	1.2500-14	0.380	4.470	1.500	2.000	0.917	NA	0.670

90° ELBOW DUALSEAL FITTINGS - MATES WITH MIL-F-85421/1 & /2 & AS4207



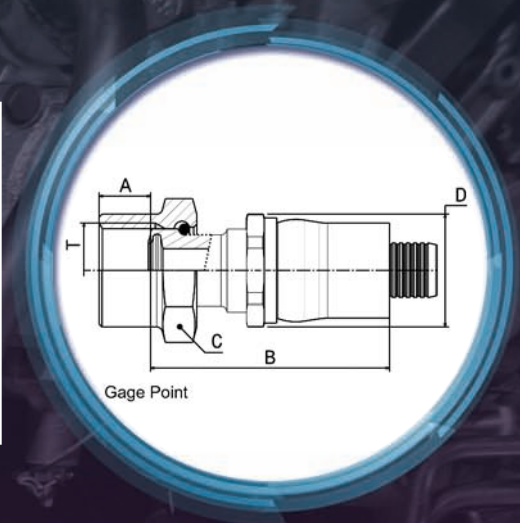
HOSE SIZE	PART NUMBER	NUT THREAD SIZE (T)	NUT ENGAGEMENT LENGTH (A)	REACH MAX (B)	NUT SIZE (C)	COLLAR HEX SIZE (D)	DROP (E)	GAGE POINT (F)	WEIGHT (LB) CRES
4	Y43204-48	.4375-24	0.215	2.020	0.562	.875	0.825	NA	0.070
6	Y43206-48	.5625-20	0.235	2.250	0.688	1.00	1.030	NA	0.130
8	Y43208-48	.7188-20	0.248	2.380	0.875	1.200	1.210	NA	0.200
10	Y43210-48	.8438-18	0.312	2.940	1.000	1.406	1.414	NA	0.270
12	Y43212-48	1.0000-16	0.352	3.570	1.250	1.687	1.560	NA	0.450
16	Y43216-48	1.2500-14	0.380	4.100	1.500	2.000	1.888	NA	0.680

TITEFLEX R157 (660 SERIES) DUALSEAL FITTINGS

METRIC - MILLIMETERS

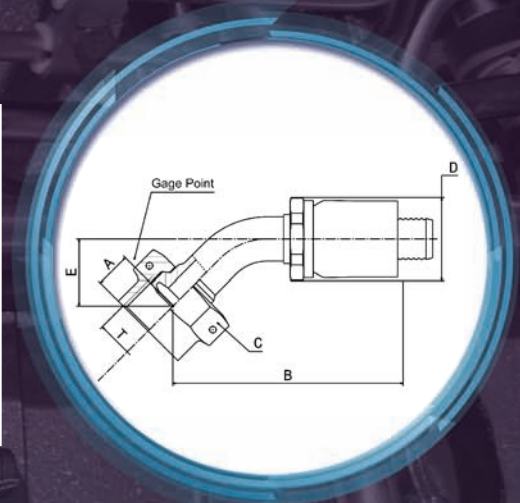
STRAIGHT DUALSEAL FITTINGS - MATES WITH MIL-F-85421/1 & /2 & AS4207

HOSE SIZE	PART NUMBER	NUT THREAD SIZE (T)	NUT ENGAGEMENT LENGTH (A)	REACH MAX (B)	NUT SIZE (C)	COLLAR HEX SIZE (D)	DROP (E)	GAGE POINT (F)	WEIGHT (GRAMS) CRES
4	Y43004-48	.4375-24	5.5	38.9	14.3	22.2	NA	NA	31.75147
6	Y43006-48	.5625-20	6.0	42.7	17.5	25.4	NA	NA	49.89516
8	Y43008-48	.7188-20	6.3	45.7	22.2	30.5	NA	NA	77.11071
10	Y43010-48	.8438-18	7.9	52.3	25.4	35.7	NA	NA	104.3263
12	Y43012-48	1.0000-16	8.9	54.6	28.6	42.8	NA	NA	172.5477
16	Y43016-48	1.2500-14	9.7	66.5	38.1	50.8	NA	NA	258.5477



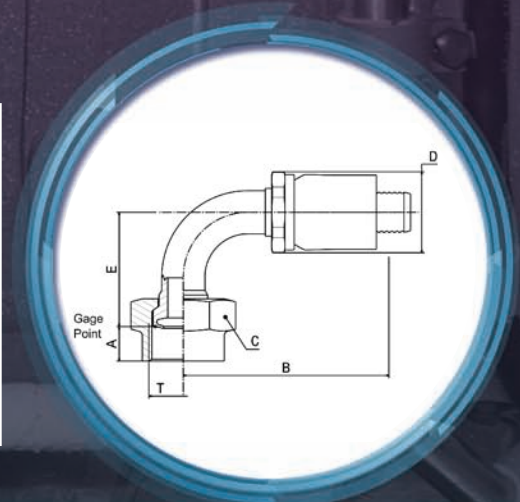
45° ELBOW DUALSEAL FITTINGS - MATES WITH MIL-F-85421/1 & /2 & AS4207

HOSE SIZE	PART NUMBER	NUT THREAD SIZE (T)	NUT ENGAGEMENT LENGTH (A)	REACH MAX (B)	NUT SIZE (C)	COLLAR HEX SIZE (D)	DROP (E)	GAGE POINT (F)	WEIGHT (GRAMS) CRES
4	Y43104-48	.4375-24	5.5	58.7	14.3	22.2	12.2	NA	31.7515
6	Y43106-48	.5625-20	6.0	65.8	17.5	25.4	14.5	NA	54.4311
8	Y43108-48	.7188-20	6.3	74.2	22.2	30.5	16.4	NA	86.1826
10	Y43110-48	.8438-18	7.9	85.3	25.4	35.7	18.7	NA	117.934
12	Y43112-48	1.0000-16	8.9	93.2	28.6	42.8	20.0	NA	195.045
16	Y43116-48	1.2500-14	9.7	113.5	38.1	50.8	23.3	NA	303.907



90° ELBOW DUALSEAL FITTINGS - MATES WITH MIL-F-85421/1 & /2 & AS4207

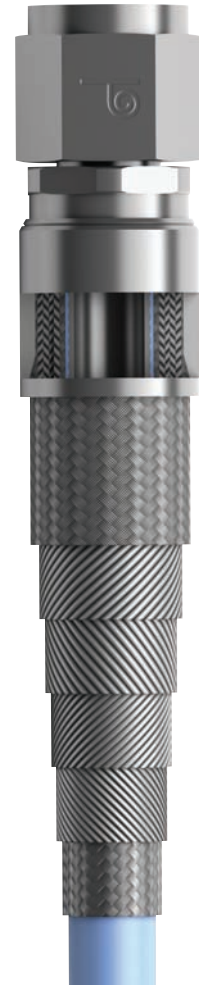
HOSE SIZE	PART NUMBER	NUT THREAD SIZE (T)	NUT ENGAGEMENT LENGTH (A)	REACH MAX (B)	NUT SIZE (C)	COLLAR HEX SIZE (D)	DROP (E)	GAGE POINT (F)	WEIGHT (GRAMS) CRES
4	Y43204-48	.4375-24	5.5	51.3	14.3	22.2	21.0	NA	31.7515
6	Y43206-48	.5625-20	6.0	57.2	17.5	25.4	26.2	NA	58.967
8	Y43208-48	.7188-20	6.3	60.5	22.2	30.5	30.7	NA	90.7185
10	Y43210-48	.8438-18	7.9	74.7	25.4	35.7	35.9	NA	122.47
12	Y43212-48	1.0000-16	8.9	90.7	28.6	42.8	39.6	NA	204.117
16	Y43216-48	1.2500-14	9.7	104.1	38.1	50.8	48.0	NA	308.443



SERIES: 370
SPECIFICATION: SAE AS614
BRAID: CRES
INNERCORE: PTFE Smoothbore
QUALIFICATIONS: SAE AS614,
 AS1055 Type IIa & IIb,
 Class A & B, Integral and Slip-on Firesleeve

R154 (370 SERIES):

R154 (370 series) is a heavy duty 4000psi (276 bar) aerospace hose assembly qualified to AS614. The hose consists of an extruded smoothbore PTFE innercore, reinforced with multiple layers of CRES 304 wire braid. The PTFE innercore is conductive and provides excellent chemical resistance through a temperature range of -65°F to +400°F (-54°C to +204°C) with unlimited shelf life. The rugged 370 Series is especially suited to applications with significant impulsing, and outputs from hydraulic or pneumatic pumps. Standard fittings are CRES, however titanium fittings are also available. Fire protection per AS1055 Class A & B can be either integral or slip-on AS1072 firesleeve. Chafe sleeves are available in a variety of integral or slip-on materials. Hybrid assemblies combining flex hose with multi-bend tube are a Titeflex specialty and provide improved vibration dampening, ease of installation, and maintenance over strictly rigid tube.



Hose size 8 depicted (Not to scale). Actual hose construction varies by size.

ENGLISH

HOSE SIZE	OPERATING PRESSURE	HOSE ID (MIN)	HOSE OD (MIN)	HOSE OD (MAX)	BRAIDED HOSE WT/1/	BEND RADIUS (MIN) /2/	PROOF PRESSURE	ROOM TEMP BURST (MIN)	HIGH TEMP BURST (MIN)
	psi	in	in	in	lb/in	in	psi	psi	psi
4	4,000	0.212	0.45	0.495	0.022	3	8,000	16,000	12,000
6	4,000	0.298	0.555	0.62	0.037	5	8,000	16,000	12,000
8	4,000	0.391	0.72	0.82	0.045	5.75	8,000	16,000	12,000
10	4,000	0.485	0.85	0.95	0.07	6.5	8,000	16,000	12,000
12	4,000	0.602	1.03	1.1	0.105	7.75	8,000	16,000	12,000
16	4,000	0.852	1.21	1.42	0.17	9.625	8,000	16,000	12,000
20	4,000	1.101	1.64	1.68	0.198	12	8,000	16,000	12,000

NOTES:
 /1/ Over minimum 12 inch length
 /2/ Inside of bend



TITFLEX R154 (370 SERIES)

METRIC

HOSE SIZE	OPERATING PRESSURE	HOSE ID (MIN)	HOSE OD (MIN)	HOSE OD (MAX)	BRAIDED HOSE WT/1/	BEND RADIUS (MIN) /2/	PROOF PRESSURE	ROOM TEMP BURST (MIN)	HIGH TEMP BURST (MIN)
	bar	mm	mm	mm	g/m	mm	bar	bar	bar
4	276	5.4	11.4	12.6	393	76.2	552	1 103	827
6	276	7.6	14.1	15.7	661	127	552	1 120	827
8	276	9.9	18.3	20.8	804	146.1	552	1 103	827
10	276	12.3	21.6	24.1	1 250	165.1	552	1 103	827
12	276	15.3	26.2	27.9	1 875	196.9	552	1 103	827
16	276	21.6	30.7	36.1	3 036	244.5	552	1 103	827
20	276	28	41.7	42.7	3 530	305	552	1 103	827

NOTES:

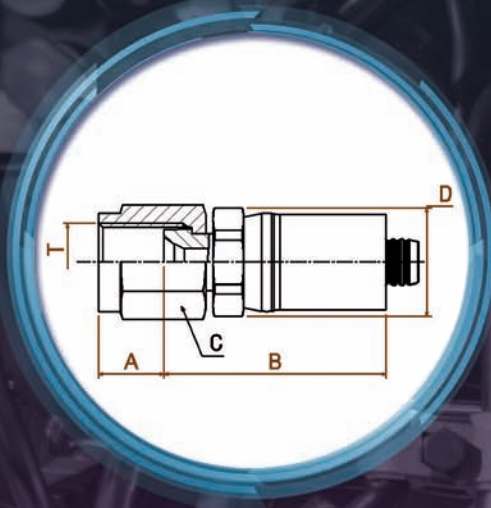
/1/ Over minimum 12 inch length

/2/ Inside of bend

TITEFLEX R154 (370 SERIES) FLARED (JIC) FITTINGS

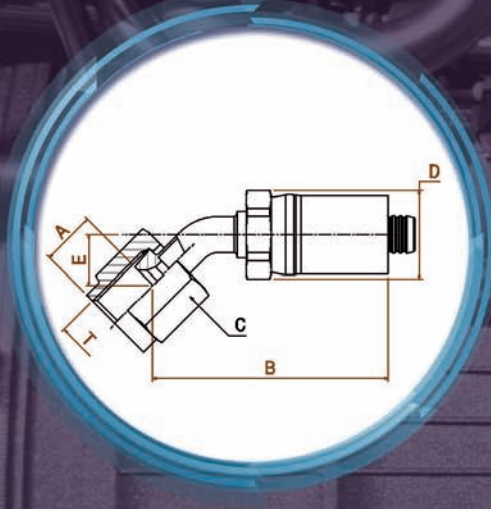
ENGLISH - INCHES

STRAIGHT FLARED FITTINGS - MATES WITH AS33656/AS4395 & AS33657/AS4396



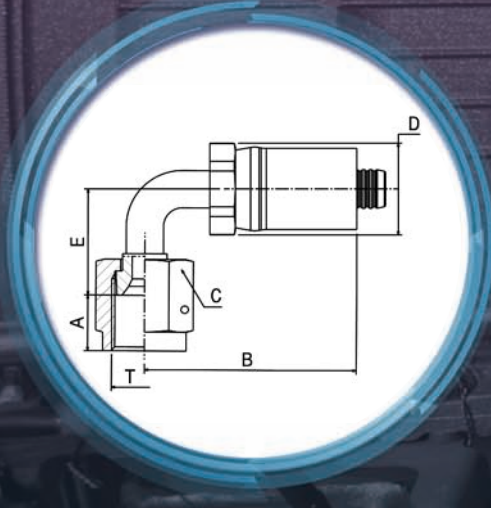
HOSE SIZE	PART NUMBER	NUT THREAD SIZE (T)	NUT ENGAGEMENT LENGTH (A)	REACH MAX (B)	NUT SIZE (C)	COLLAR HEX SIZE (D)	DROP (E)	GAGE POINT (F)	WEIGHT (LB) CRES
4	Y40004-42	.4375-20	0.372	1.385	0.562	0.875	NA	NA	0.069
6	Y40006-42	.5625-18	0.375	1.460	0.688	1.000	NA	NA	0.119
8	Y40008-42	.7500-16	0.438	1.810	0.875	1.200	NA	NA	0.206
10	Y40010-42	.8750-14	0.515	2.270	1.000	1.406	NA	NA	0.324
12	Y40012-42	1.0625-12	0.562	2.320	1.250	1.687	NA	NA	0.496
16	Y40016-42	1.3125-12	0.620	2.610	1.500	2.000	NA	NA	0.741
20	Y40020-42	1.6250-12	0.620	3.150	1.812	2.125	NA	NA	1.356

45° ELBOW FLARED FITTINGS - MATES WITH AS33656/AS4395 & AS33657/AS4396



HOSE SIZE	PART NUMBER	NUT THREAD SIZE (T)	NUT ENGAGEMENT LENGTH (A)	REACH MAX (B)	NUT SIZE (C)	COLLAR HEX SIZE (D)	DROP (E)	GAGE POINT (F)	WEIGHT (LB) CRES
4	Y40104-42	.4375-20	0.372	1.875	0.562	0.875	0.348	NA	0.079
6	Y40106-42	.5625-18	0.375	2.055	0.688	1.000	0.471	NA	0.134
8	Y40108-42	.7500-16	0.438	2.525	0.875	1.200	0.572	NA	0.227
10	Y40110-42	.8750-14	0.515	3.200	1.000	1.406	0.643	NA	0.362
12	Y40112-42	1.0625-12	0.562	3.450	1.250	1.687	0.680	NA	0.542
16	Y40116-42	1.3125-12	0.620	3.870	1.500	2.000	0.790	NA	0.816
20	Y40120-42	1.6250-12	0.620	4.460	1.812	2.125	0.924	NA	1.598

90° ELBOW FLARED FITTINGS - MATES WITH AS33656/AS4395 & AS33657/AS4396



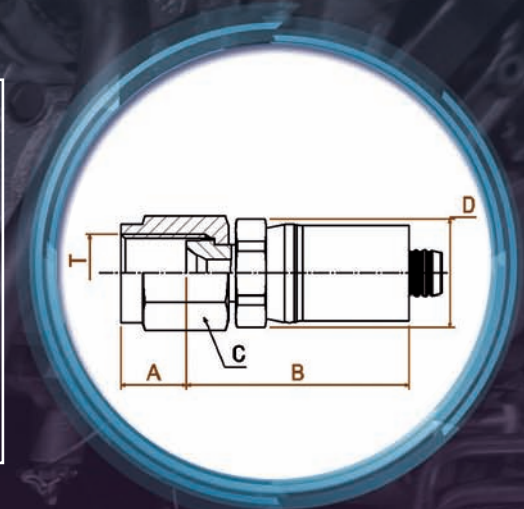
HOSE SIZE	PART NUMBER	NUT THREAD SIZE (T)	NUT ENGAGEMENT LENGTH (A)	REACH MAX (B)	NUT SIZE (C)	COLLAR HEX SIZE (D)	DROP (E)	GAGE POINT (F)	WEIGHT (LB) CRES
4	Y40204-42	.4375-20	0.372	1.640	0.562	0.875	0.642	NA	0.079
6	Y40206-42	.5625-18	0.375	1.790	0.688	1.000	0.890	NA	0.139
8	Y40208-42	.7500-16	0.438	2.220	0.875	1.200	1.107	NA	0.236
10	Y40210-42	.8750-14	0.515	2.900	1.000	1.406	1.281	NA	0.378
12	Y40212-42	1.0625-12	0.562	3.135	1.250	1.687	1.405	NA	0.578
16	Y40216-42	1.3125-12	0.620	3.595	1.500	2.000	1.833	NA	0.926
20	Y40220-42	1.6250-12	0.620	4.310	1.812	2.125	2.195	NA	1.687

TITEFLEX R154 (370 SERIES) FLARED (JIC) FITTINGS

METRIC - MILLIMETERS

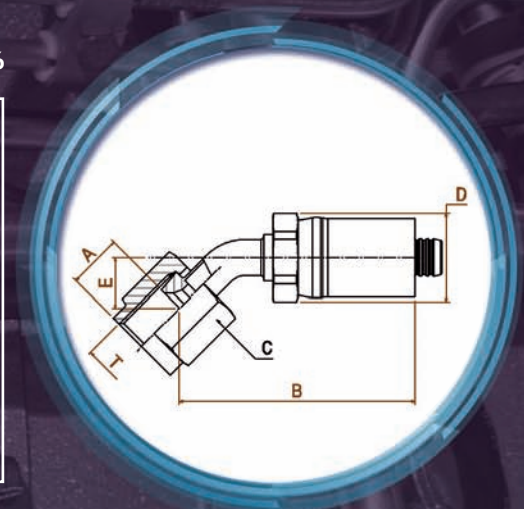
STRAIGHT FLARED FITTINGS - MATES WITH AS33656/AS4395 & AS33657/AS4396

HOSE SIZE	PART NUMBER	NUT THREAD SIZE (T)	NUT ENGAGEMENT LENGTH (A)	REACH MAX (B)	NUT SIZE (C)	COLLAR HEX SIZE (D)	DROP (E)	GAGE POINT (F)	WEIGHT (GRAMS) CRES
4	Y40004-42	.4375-20	9.4	35.2	14.3	22.2	NA	NA	31.5
6	Y40006-42	.5625-18	9.5	37.1	17.5	25.4	NA	NA	54
8	Y40008-42	.7500-16	11.1	46.0	22.2	30.5	NA	NA	93.5
10	Y40010-42	.8750-14	13.1	57.7	25.4	35.7	NA	NA	147
12	Y40012-42	1.0625-12	14.3	58.9	31.8	42.8	NA	NA	225
16	Y40016-42	1.3125-12	15.7	66.3	38.1	50.8	NA	NA	336
20	Y40020-42	1.6250-12	15.7	80.0	46.0	54.0	NA	NA	315



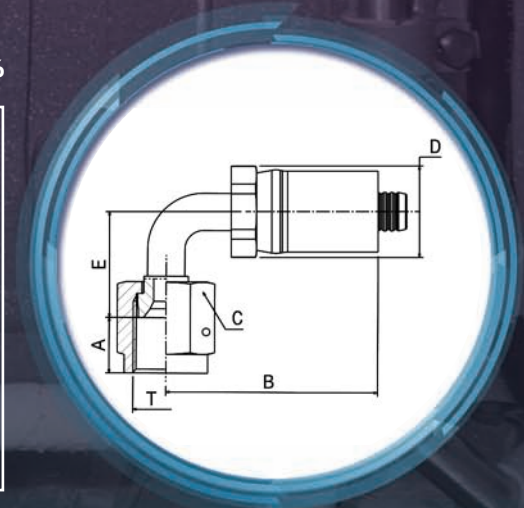
45° ELBOW FLARED FITTINGS - MATES WITH AS33656/AS4395 & AS33657/AS4396

HOSE SIZE	PART NUMBER	NUT THREAD SIZE (T)	NUT ENGAGEMENT LENGTH (A)	REACH MAX (B)	NUT SIZE (C)	COLLAR HEX SIZE (D)	DROP (E)	GAGE POINT (F)	WEIGHT (GRAMS) CRES
4	Y40204-42	.4375-20	9.4	47.6	14.3	22.2	8.8	NA	36
6	Y40206-42	.5625-18	9.5	52.2	17.5	25.4	12.0	NA	61
8	Y40208-42	.7500-16	11.1	64.1	22.2	30.5	14.5	NA	103
10	Y40210-42	.8750-14	13.1	81.3	25.4	35.7	16.3	NA	164
12	Y40212-42	1.0625-12	14.3	87.6	31.8	42.8	17.3	NA	246
16	Y40216-42	1.3125-12	15.7	98.3	38.1	50.8	20.1	NA	370
20	Y40220-42	1.6250-12	15.7	113.3	46.0	54.0	23.5	NA	725



90° ELBOW FLARED FITTINGS - MATES WITH AS33656/AS4395 & AS33657/AS4396

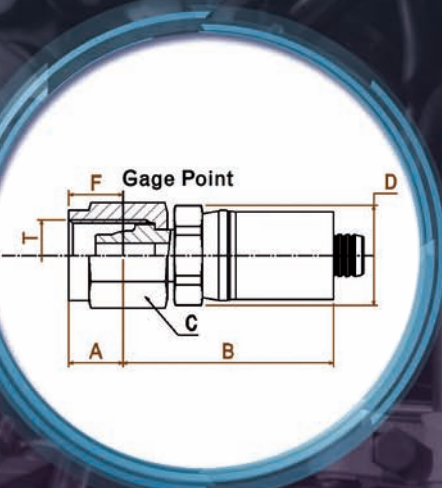
HOSE SIZE	PART NUMBER	NUT THREAD SIZE (T)	NUT ENGAGEMENT LENGTH (A)	REACH MAX (B)	NUT SIZE (C)	COLLAR HEX SIZE (D)	DROP (E)	GAGE POINT (F)	WEIGHT (GRAMS) CRES
4	Y40204-42	.4375-20	9.4	41.7	14.3	22.2	16.3	NA	36
6	Y40206-42	.5625-18	9.5	45.5	17.5	25.4	22.6	NA	63
8	Y40208-42	.7500-16	11.1	56.4	22.2	30.5	28.1	NA	107
10	Y40210-42	.8750-14	13.1	73.7	25.4	35.7	32.5	NA	171.5
12	Y40212-42	1.0625-12	14.3	79.6	31.8	42.8	35.7	NA	262
16	Y40216-42	1.3125-12	15.7	91.3	38.1	50.8	46.6	NA	420
20	Y40220-42	1.6250-12	15.7	109.5	46.0	54.0	55.8	NA	765



TITEFLEX R154 (370 SERIES) FLARELESS (NAS) FITTINGS

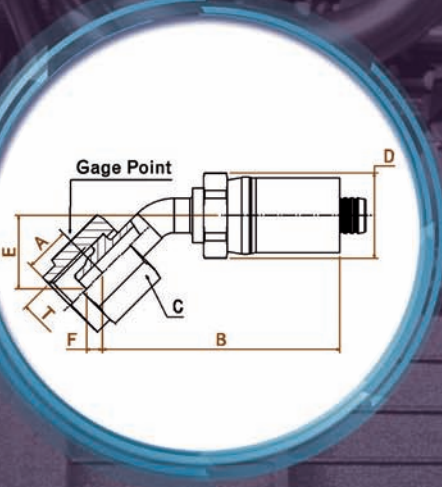
ENGLISH - INCHES

STRAIGHT FLARELESS FITTINGS - MATES WITH AS33514/AS33515 & AS4375/AS4377



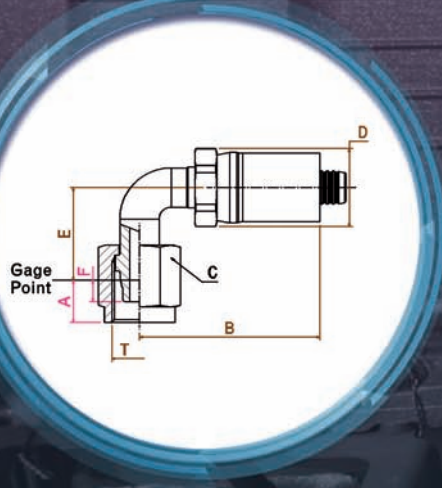
HOSE SIZE	PART NUMBER	NUT THREAD SIZE (T)	NUT ENGAGEMENT LENGTH (A)	REACH MAX (B)	NUT SIZE (C)	COLLAR HEX SIZE (D)	DROP (E)	GAGE POINT (F)	WEIGHT (LB) CRES
4	Y40404-64	.4375-20	0.320	1.430	0.562	0.620	NA	0.155	0.076
6	Y40406-64	.5625-18	0.327	1.510	0.688	0.820	NA	0.164	0.117
8	Y40408-64	.7500-16	0.368	1.890	0.875	0.930	NA	0.189	0.180
10	Y40410-64	.8750-14	0.396	2.370	1.000	1.180	NA	0.201	0.335
12	Y40412-64	1.0625-12	0.421	2.435	1.250	1.500	NA	0.228	0.525
16	Y40416-64	1.3125-12	0.425	2.780	1.500	1.710	NA	0.297	0.802
20	Y40420-64	1.6250-12	0.452	3.315	1.812	2.200	NA	0.300	1.433

45° ELBOW FLARELESS FITTINGS - MATES WITH AS33514/AS33515 & AS4375/AS4377



HOSE SIZE	PART NUMBER	NUT THREAD SIZE (T)	NUT ENGAGEMENT LENGTH (A)	REACH MAX (B)	NUT SIZE (C)	COLLAR HEX SIZE (D)	DROP (E)	GAGE POINT (F)	WEIGHT (LB) CRES
4	Y40504-64	.4375-20	0.320	2.060	0.562	0.620	0.418	0.110	0.080
6	Y40506-64	.5625-18	0.327	2.300	0.688	0.820	0.544	0.116	0.130
8	Y40508-64	.7500-16	0.368	2.715	0.875	0.930	0.601	0.134	0.229
10	Y40510-64	.8750-14	0.396	3.340	1.000	1.180	0.736	0.142	0.75
12	Y40512-64	1.0625-12	0.421	3.600	1.250	1.500	0.735	0.161	0.595
16	Y40516-64	1.3125-12	0.425	4.340	1.500	1.710	0.936	0.210	0.926

90° ELBOW FLARELESS FITTINGS - MATES WITH AS33514/AS33515 & AS4375/AS4377



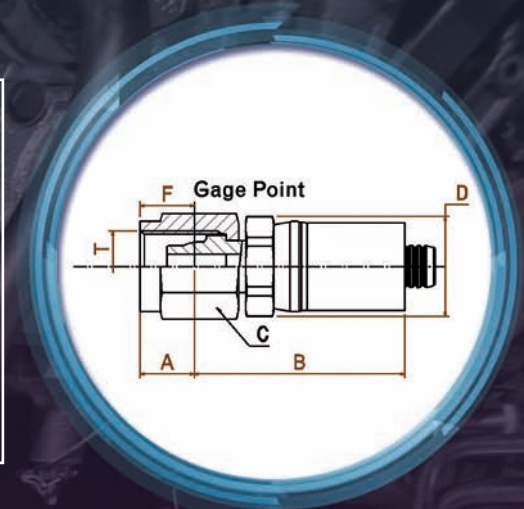
HOSE SIZE	PART NUMBER	NUT THREAD SIZE (T)	NUT ENGAGEMENT LENGTH (A)	REACH MAX (B)	NUT SIZE (C)	COLLAR HEX SIZE (D)	DROP (E)	GAGE POINT (F)	WEIGHT (LB) CRES
4	Y40604-64	.4375-20	0.320	1.765	0.562	0.620	0.744	0.155	0.082
6	Y40606-64	.5625-18	0.327	2.005	0.688	0.820	0.995	0.164	0.136
8	Y40608-64	.7500-16	0.368	2.410	0.875	0.930	1.148	0.189	0.240
10	Y40610-64	.8750-14	0.396	3.010	1.000	1.180	1.411	0.201	0.392
12	Y40612-64	1.0625-12	0.421	3.325	1.250	1.500	1.485	0.228	0.622
16	Y40616-64	1.3125-12	0.425	4.000	1.500	1.710	2.211	0.297	0.961

TITEFLEX R154 (370 SERIES) FLARELESS (NAS) FITTINGS

METRIC - MILLIMETERS

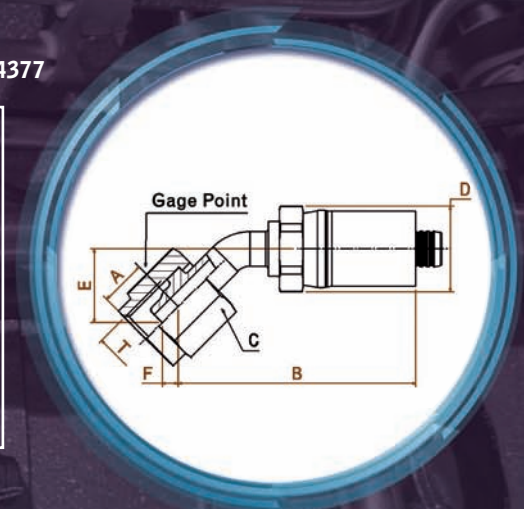
STRAIGHT FLARED FITTINGS - MATES WITH AS33656/AS4395 & AS33657/AS4396

HOSE SIZE	PART NUMBER	NUT THREAD SIZE (T)	NUT ENGAGEMENT LENGTH (A)	REACH MAX (B)	NUT SIZE (C)	COLLAR HEX SIZE (D)	DROP (E)	GAGE POINT (F)	WEIGHT (GRAMS) CRES
4	Y40404-64	.4375-20	8.1	36.3	14.3	15.7	NA	3.94	34.5
6	Y40406-64	.5625-18	8.3	38.4	17.5	20.8	NA	4.17	53
8	Y40408-64	.7500-16	9.3	48.0	22.2	23.6	NA	4.80	81.5
10	Y40410-64	.8750-14	10.1	60.2	25.4	30.0	NA	5.11	152
12	Y40412-64	1.0625-12	10.7	61.8	31.8	38.1	NA	5.79	238
16	Y40416-64	1.3125-12	10.8	70.6	38.1	43.4	NA	7.54	364
20	Y40420-64	1.6250-12	11.5	84.2	46.0	55.9	NA	7.62	650



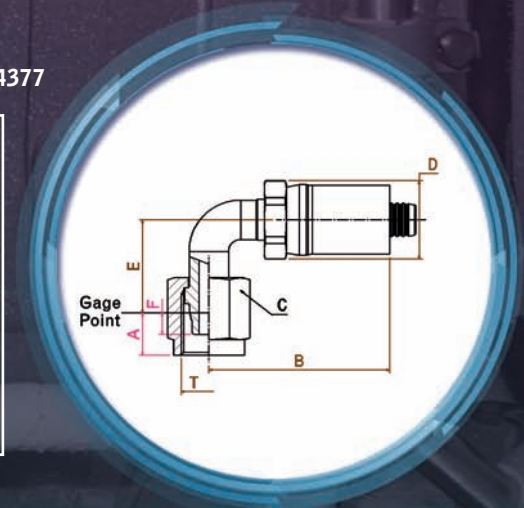
45° ELBOW FLARELESS FITTINGS - MATES WITH AS33514/AS33515 & AS4375/AS4377

HOSE SIZE	PART NUMBER	NUT THREAD SIZE (T)	NUT ENGAGEMENT LENGTH (A)	REACH MAX (B)	NUT SIZE (C)	COLLAR HEX SIZE (D)	DROP (E)	GAGE POINT (F)	WEIGHT (GRAMS) CRES
4	Y40504-64	.4375-20	8.1	52.3	14.3	15.7	10.6	2.79	36.5
6	Y40506-64	.5625-18	8.3	58.4	17.5	20.8	13.8	2.95	59
8	Y40508-64	.7500-16	9.3	69.0	22.2	23.6	15.3	3.40	104
10	Y40510-64	.8750-14	10.1	84.8	25.4	30.0	18.7	3.61	170
12	Y40512-64	1.0625-12	10.7	91.4	31.8	38.1	18.7	4.09	270
16	Y40516-64	1.3125-12	10.8	110.2	38.1	43.4	23.8	5.33	420



90° ELBOW FLARELESS FITTINGS - MATES WITH AS33514/AS33515 & AS4375/AS4377

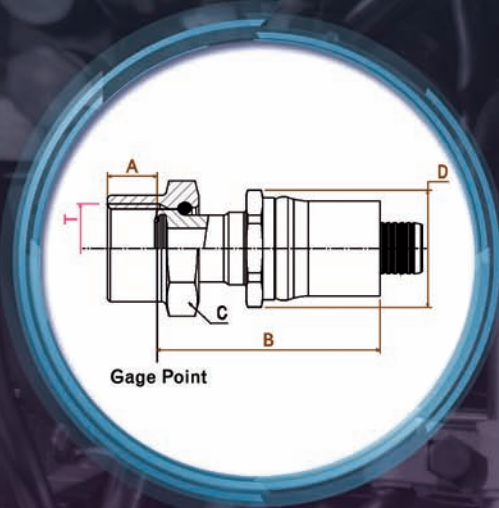
HOSE SIZE	PART NUMBER	NUT THREAD SIZE (T)	NUT ENGAGEMENT LENGTH (A)	REACH MAX (B)	NUT SIZE (C)	COLLAR HEX SIZE (D)	DROP (E)	GAGE POINT (F)	WEIGHT (GRAMS) CRES
4	Y40604-64	.4375-20	8.1	44.8	14.3	15.7	18.9	3.94	37
6	Y40606-64	.5625-18	8.3	50.9	17.5	20.8	25.3	4.17	61.5
8	Y40608-64	.7500-16	9.3	61.2	22.2	23.6	29.2	4.80	109
10	Y40610-64	.8750-14	10.1	76.5	25.4	30.0	35.8	5.11	178
12	Y40612-64	1.0625-12	10.7	84.5	31.8	38.1	37.7	5.79	282
16	Y40616-64	1.3125-12	10.8	101.6	38.1	43.4	56.2	7.54	436



TITEFLEX R154 (370 SERIES) DUALSEAL FITTINGS

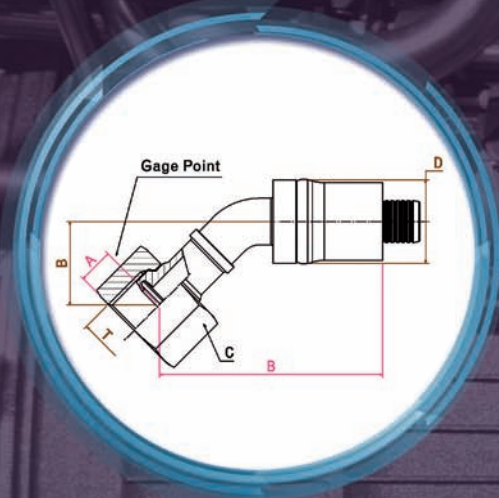
ENGLISH - INCHES

STRAIGHT DUALSEAL FITTINGS - MATES WITH MIL-F-85421/1 & /2 & AS4207



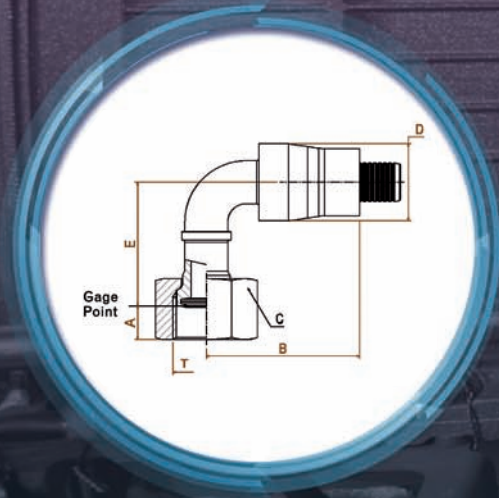
HOSE SIZE	PART NUMBER	NUT THREAD SIZE (T)	NUT ENGAGEMENT LENGTH (A)	REACH MAX (B)	NUT SIZE (C)	COLLAR HEX SIZE (D)	DROP (E)	GAGE POINT (F)	WEIGHT (LB) CRES
4	Y43004-42	.4375-24	0.215	1.400	0.562	0.875	NA	NA	0.070
6	Y43006-42	.5625-20	0.235	1.400	0.688	1.000	NA	NA	0.110
8	Y43008-42	.7188-20	0.248	1.670	0.875	1.200	NA	NA	0.170
10	Y43010-42	.8438-18	0.312	2.085	1.000	1.406	NA	NA	0.190
12	Y43012-42	1.0000-16	0.352	2.160	1.125	1.687	NA	NA	0.320
16	Y43016-42	1.2500-14	0.380	2.470	1.500	2.000	NA	NA	0.570
20	Y43020-42	1.5781-14	0.395	2.995	1.875	2.125	NA	NA	1.250

45° ELBOW DUALSEAL FITTINGS - MATES WITH AS33514/AS33515 & AS4375/AS4377



HOSE SIZE	PART NUMBER	NUT THREAD SIZE (T)	NUT ENGAGEMENT LENGTH (A)	REACH MAX (B)	NUT SIZE (C)	COLLAR HEX SIZE (D)	DROP (E)	GAGE POINT (F)	WEIGHT (LB) CRES
4	Y43104-42	.4375-24	0.215	2.200	0.562	0.875	0.480	NA	0.070
6	Y43106-42	.5625-20	0.235	2.325	0.688	1.000	0.570	NA	0.190
8	Y43108-42	.7188-20	0.248	2.765	0.875	1.200	0.645	NA	0.200
10	Y43110-42	.8438-18	0.312	3.230	1.000	1.406	0.736	NA	0.220
12	Y43112-42	1.0000-16	0.352	3.475	1.125	1.687	0.788	NA	0.410
16	Y43116-42	1.2500-14	0.380	3.950	1.500	2.000	0.917	NA	0.600

90° ELBOW DUALSEAL FITTINGS - MATES WITH AS33514/AS33515 & AS4375/AS4377



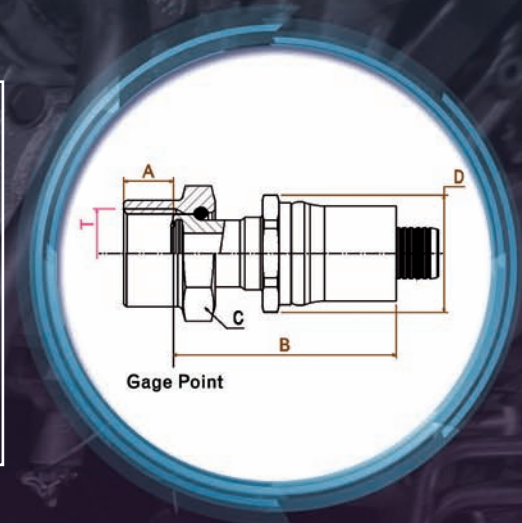
HOSE SIZE	PART NUMBER	NUT THREAD SIZE (T)	NUT ENGAGEMENT LENGTH (A)	REACH MAX (B)	NUT SIZE (C)	COLLAR HEX SIZE (D)	DROP (E)	GAGE POINT (F)	WEIGHT (LB) CRES
4	Y43204-42	.4375-24	0.215	2.015	0.562	0.875	0.825	NA	0.070
6	Y43206-42	.5625-20	0.235	1.970	0.688	1.000	1.031	NA	0.130
8	Y43208-42	.7188-20	0.248	2.405	0.875	1.200	1.210	NA	0.210
10	Y43210-42	.8438-18	0.312	2.855	1.000	1.406	1.414	NA	0.230
12	Y43212-42	1.0000-16	0.352	3.120	1.125	1.687	1.560	NA	0.420
16	Y43216-42	1.2500-14	0.380	3.585	1.500	2.000	1.888	NA	0.630

TITEFLEX R154 (370 SERIES) DUALSEAL FITTINGS

METRIC - MILLIMETERS

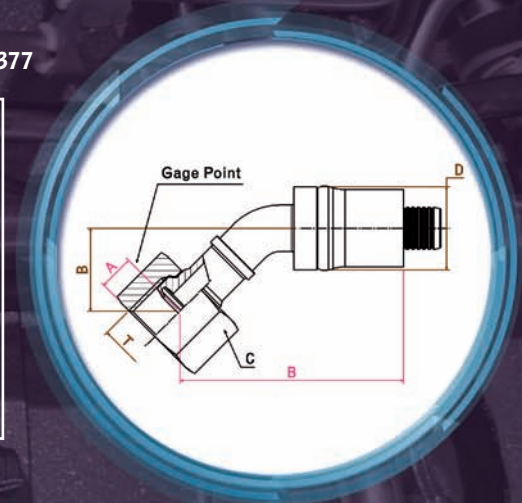
STRAIGHT DUALSEAL FITTINGS - MATES WITH MIL-F-85421/1 & /2 & AS4207

HOSE SIZE	PART NUMBER	NUT THREAD SIZE (T)	NUT ENGAGEMENT LENGTH (A)	REACH MAX (B)	NUT SIZE (C)	COLLAR HEX SIZE (D)	DROP (E)	GAGE POINT (F)	WEIGHT (GRAMS) CRES
4	Y43004-42	.4375-24	5.5	35.6	14.3	22.2	NA	NA	31.7515
6	Y43006-42	.5625-20	6.0	35.6	17.5	25.4	NA	NA	49.8952
8	Y43008-42	.7188-20	6.3	42.4	22.2	30.5	NA	NA	77.1107
10	Y43010-42	.8438-18	7.9	53.0	25.4	35.7	NA	NA	86.1826
12	Y43012-42	1.0000-16	8.9	54.9	28.6	42.8	NA	NA	145.15
16	Y43016-42	1.2500-14	9.7	62.7	38.1	50.8	NA	NA	258.548
20	Y43020-42	1.5781-14	10.0	76.1	47.6	54.0	NA	NA	566.991



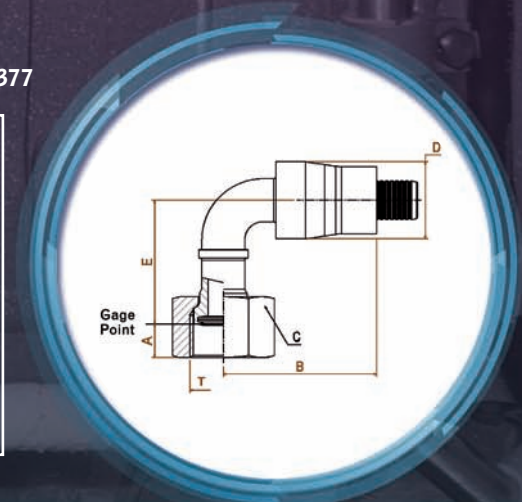
45° ELBOW DUALSEAL FITTINGS - MATES WITH AS33514/AS33515 & AS4375/AS4377

HOSE SIZE	PART NUMBER	NUT THREAD SIZE (T)	NUT ENGAGEMENT LENGTH (A)	REACH MAX (B)	NUT SIZE (C)	COLLAR HEX SIZE (D)	DROP (E)	GAGE POINT (F)	WEIGHT (GRAMS) CRES
4	Y43104-42	.4375-24	5.5	55.9	14.3	22.2	12.2	NA	31.7515
6	Y43106-42	.5625-20	6.0	59.1	17.5	25.4	14.5	NA	86.1826
8	Y43108-42	.7188-20	6.3	70.2	22.2	30.5	16.4	NA	90.7185
10	Y43110-42	.8438-18	7.9	82.0	25.4	35.7	18.7	NA	99.7903
12	Y43112-42	1.0000-16	8.9	88.3	28.6	42.8	20.0	NA	185.973
16	Y43116-42	1.2500-14	9.7	100.3	38.1	50.8	23.3	NA	272.155



90° ELBOW DUALSEAL FITTINGS - MATES WITH AS33514/AS33515 & AS4375/AS4377

HOSE SIZE	PART NUMBER	NUT THREAD SIZE (T)	NUT ENGAGEMENT LENGTH (A)	REACH MAX (B)	NUT SIZE (C)	COLLAR HEX SIZE (D)	DROP (E)	GAGE POINT (F)	WEIGHT (GRAMS) CRES
4	Y43204-42	.4375-24	5.5	51.2	14.3	22.2	21.0	NA	31.7515
6	Y43206-42	.5625-20	6.0	50.0	17.5	25.4	26.2	NA	58.967
8	Y43208-42	.7188-20	6.3	61.1	22.2	30.5	30.7	NA	95.2544
10	Y43210-42	.8438-18	7.9	72.5	25.4	35.7	35.9	NA	104.326
12	Y43212-42	1.0000-16	8.9	79.2	28.6	42.8	39.6	NA	190.509
16	Y43216-42	1.2500-14	9.7	91.1	38.1	50.8	48.0	NA	285.763



SERIES: 220

SPECIFICATION: SAE AS1975, Class 3000

BRAID: Kevlar®

INNERCORE: PTFE Smoothbore

QUALIFICATIONS: SAE AS1975, Class 3000

RA170 (220 SERIES):

RA170 (220 series) is a lightweight 3000psi (207 bar) non-metallic aerospace hose assembly qualified to AS1975. The hose consists of an extruded smoothbore conductive PTFE innercore, reinforced with Kevlar® para-aramid braid. PTFE provides excellent chemical resistance and unlimited shelf life. 220 series is ideal for weight-critical 3000 PSI (207 Bar) applications within the temperature range of -65° to +275°F (-54°C to +135°C). Fire protection is available per AS1055 Class A with slip-on AS1072 firesleeve. Hybrid assemblies combining flex hose with multi-bend tube are a Titeflex specialty and provide improved vibration dampening, ease of installation, and maintenance over strictly rigid tube.



Size 8 depicted (Not to scale). Actual construction varies by size.

ENGLISH

HOSE SIZE	OPERATING PRESSURE	HOSE ID (MIN)	HOSE OD (MIN)	HOSE OD (MAX)	BRAIDED HOSE WT/1/	BEND RADIUS (MIN) /2/	PROOF PRESSURE	ROOM TEMP BURST (MIN)	HIGH TEMP BURST (MIN)
	psi	in	in	in	lb/in	in	psi	psi	psi
6	3,000	0.298	0.495	0.555	0.008	2.5	8,000	12,000	9,000
8	3,000	0.391	0.65	0.71	0.012	2.88	8,000	12,000	9,000
10	3,000	0.485	0.85	0.92	0.02	3.25	8,000	12,000	9,000

NOTES:

/1/ Over minimum 12 inch length

/2/ Inside of bend



TITFLEX RA170 (220 SERIES)

METRIC

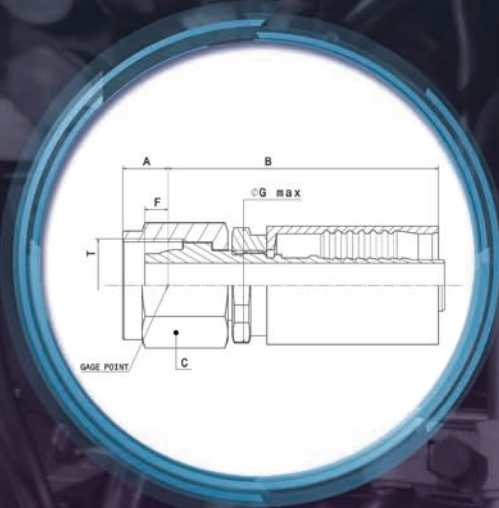
HOSE SIZE	OPERATING PRESSURE	HOSE ID (MIN)	HOSE OD (MIN)	HOSE OD (MAX)	BRAIDED HOSE WT/1/	BEND RADIUS (MIN) /2/	PROOF PRESSURE	ROOM TEMP BURST (MIN)	HIGH TEMP BURST (MIN)
	bar	mm	mm	mm	g/m	mm	bar	bar	bar
6	207	7.6	12.6	14.1	143	63.5	552	827	651
8	207	9.9	16.5	18	214	73.2	552	827	651
10	207	12.3	21.6	23.4	357	82.6	552	827	651

NOTES:
 /1/ Over minimum 12 inch length
 /2/ Inside of bend

TITFLEX RA170 (220 SERIES) FLARELESS (NAS) FITTINGS

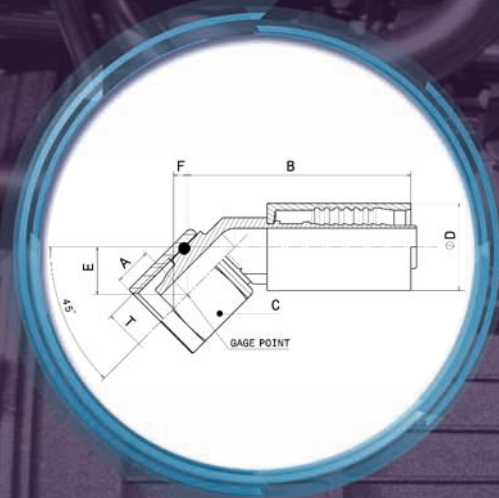
ENGLISH - INCHES

STRAIGHT FLARELESS FITTINGS - MATES WITH AS33514/AS33515 & AS4375/AS4377



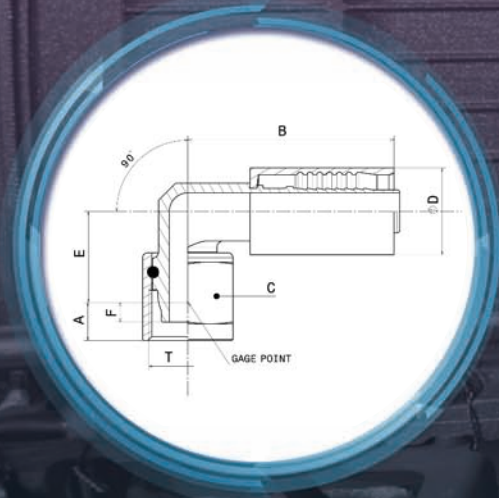
HOSE SIZE	PART NUMBER	NUT THREAD SIZE (T)	NUT ENGAGEMENT LENGTH (A)	REACH MAX (B)	NUT SIZE (C)	COLLAR HEX SIZE (D)	DROP (E)	GAGE POINT (F)	WEIGHT (LB) CRES
4	Y40404-18	.4375-20	0.320	1.480	0.562	0.690	NA	0.155	0.048
6	Y40406-18	.5625-18	0.326	1.835	0.688	0.800	NA	0.164	0.083
8	Y40408-18	.7500-16	0.368	2.165	0.875	0.970	NA	0.189	0.135
10	Y40410-18	.8750-14	0.396	2.905	1.000	1.150	NA	0.201	0.244
12	Y40412-18	1.0625-12	0.421	3.205	1.250	1.380	NA	0.228	0.431

45° ELBOW FLARELESS FITTINGS - MATES WITH AS33514/AS33515 & AS4375/AS4377



HOSE SIZE	PART NUMBER	NUT THREAD SIZE (T)	NUT ENGAGEMENT LENGTH (A)	REACH MAX (B)	NUT SIZE (C)	COLLAR HEX SIZE (D)	DROP (E)	GAGE POINT (F)	WEIGHT (LB) CRES
4	Y40504-18	.4375-20	0.320	2.120	0.562	0.690	0.380	0.110	0.061
6	Y40506-18	.5625-18	0.326	2.425	0.688	0.800	0.405	0.116	0.096
8	Y40508-18	.7500-16	0.368	2.735	0.875	0.970	0.465	0.134	0.154
10	Y40510-18	.8750-14	0.396	3.655	1.000	1.150	0.575	0.142	0.285
12	Y40512-18	1.0625-12	0.421	4.045	1.250	1.380	0.610	0.161	0.493

90° ELBOW FLARELESS FITTINGS - MATES WITH AS33514/AS33515 & AS4375/AS4377



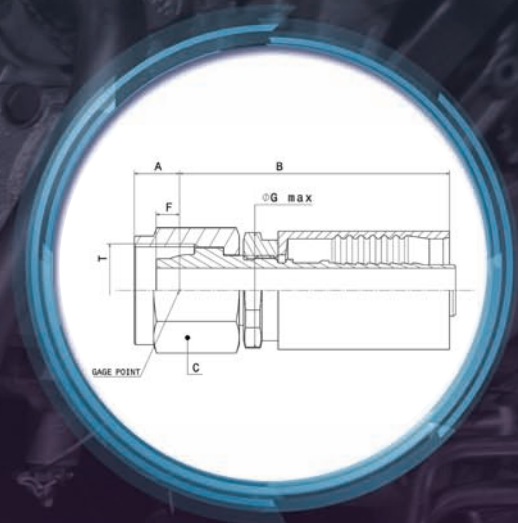
HOSE SIZE	PART NUMBER	NUT THREAD SIZE (T)	NUT ENGAGEMENT LENGTH (A)	REACH MAX (B)	NUT SIZE (C)	COLLAR HEX SIZE (D)	DROP (E)	GAGE POINT (F)	WEIGHT (LB) CRES
4	Y40604-18	.4375-20	0.320	1.850	0.562	0.690	0.680	0.155	0.062
6	Y40606-18	.5625-18	0.326	2.150	0.688	0.800	0.745	0.164	0.101
8	Y40608-18	.7500-16	0.368	2.490	0.875	0.970	0.875	0.189	0.166
10	Y40610-18	.8750-14	0.396	3.375	1.000	1.150	1.115	0.201	0.310
12	Y40612-18	1.0625-12	0.421	3.770	1.250	1.380	1.305	0.228	0.543

TITEFLEX RA170 (220 SERIES) FLARELESS (NAS) FITTINGS

METRIC - MILLIMETERS

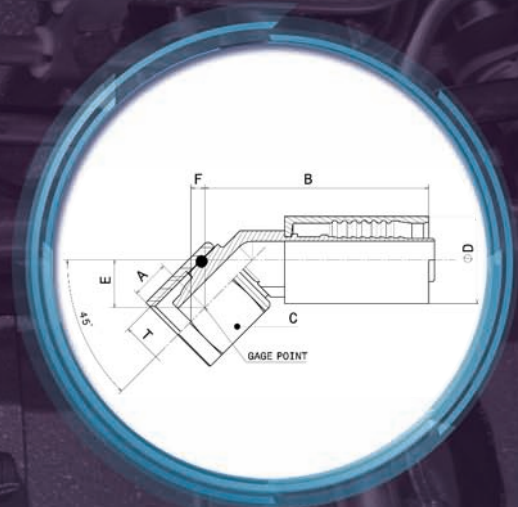
STRAIGHT FLARELESS FITTINGS - MATES WITH AS33514/AS33515 & AS4375/AS4377

HOSE SIZE	PART NUMBER	NUT THREAD SIZE (T)	NUT ENGAGEMENT LENGTH (A)	REACH MAX (B)	NUT SIZE (C)	COLLAR HEX SIZE (D)	DROP (E)	GAGE POINT (F)	WEIGHT (GRAMS) CRES
4	Y40404-18	.4375-20	8.1	37.6	14.3	17.5	NA	3.94	21.7724
6	Y40406-18	.5625-18	8.3	46.6	17.5	20.3	NA	4.17	37.6482
8	Y40408-18	.7500-16	9.3	55.0	22.2	24.6	NA	4.80	61.235
10	Y40410-18	.8750-14	10.1	73.8	25.4	29.2	NA	5.11	110.677
12	Y40412-18	1.0625-12	10.7	81.4	31.8	35.1	NA	5.79	195.498



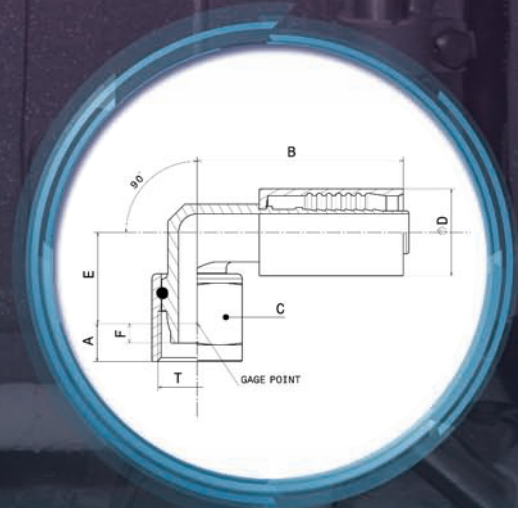
45° ELBOW FLARELESS FITTINGS - MATES WITH AS33514/AS33515 & AS4375/AS4377

HOSE SIZE	PART NUMBER	NUT THREAD SIZE (T)	NUT ENGAGEMENT LENGTH (A)	REACH MAX (B)	NUT SIZE (C)	COLLAR HEX SIZE (D)	DROP (E)	GAGE POINT (F)	WEIGHT (GRAMS) CRES
4	Y40504-18	.4375-20	8.1	53.8	14.3	17.5	9.7	2.79	27.6691
6	Y40506-18	.5625-18	8.3	61.6	17.5	20.3	10.3	2.95	43.5449
8	Y40508-18	.7500-16	9.3	69.5	22.2	24.6	11.8	3.40	69.8532
10	Y40510-18	.8750-14	10.1	92.8	25.4	29.2	14.6	3.61	129.274
12	Y40512-18	1.0625-12	10.7	102.7	31.8	35.1	15.5	4.09	223.621



90° ELBOW FLARELESS FITTINGS - MATES WITH AS33514/AS33515 & AS4375/AS4377

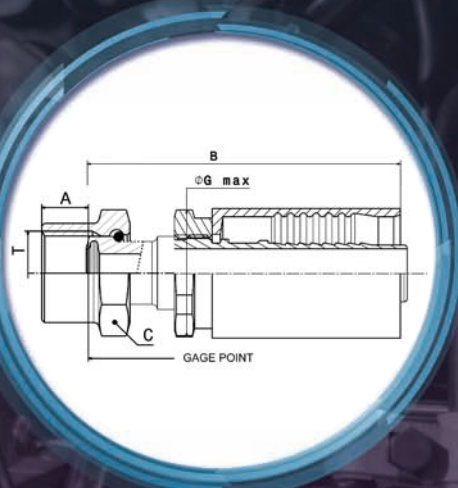
HOSE SIZE	PART NUMBER	NUT THREAD SIZE (T)	NUT ENGAGEMENT LENGTH (A)	REACH MAX (B)	NUT SIZE (C)	COLLAR HEX SIZE (D)	DROP (E)	GAGE POINT (F)	WEIGHT (GRAMS) CRES
4	Y40604-18	.4375-20	8.1	47.0	14.3	17.5	17.3	3.94	28.1227
6	Y40606-18	.5625-18	8.3	54.6	17.5	20.3	18.9	4.17	45.8128
8	Y40608-18	.7500-16	9.3	63.2	22.2	24.6	22.2	4.80	75.2963
10	Y40610-18	.8750-14	10.1	85.7	25.4	29.2	28.3	5.11	140.614
12	Y40612-18	1.0625-12	10.7	95.8	31.8	35.1	33.1	5.79	246.301



TITEFLEX RA170 (220 SERIES) STRAIGHT DUALSEAL FITTINGS

ENGLISH - INCHES

STRAIGHT DUALSEAL FITTINGS - MATES WITH MIL-F-85421/1 AND /2AND AS4207



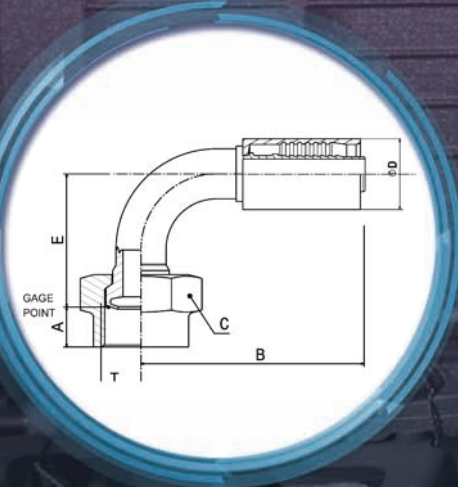
HOSE SIZE	PART NUMBER	NUT THREAD SIZE (T)	NUT ENGAGEMENT LENGTH (A)	REACH MAX (B)	NUT SIZE (C)	COLLAR HEX SIZE (D)	DROP (E)	GAGE POINT (F)	WEIGHT (LB) CRES
4	Y43104-18	.4375-24	0.215	1.430	0.562	0.690	NA	NA	0.042
6	Y43106-18	.5625-20	0.235	1.720	0.688	0.800	NA	NA	0.070
8	Y43108-18	.7188-20	0.248	1.950	0.875	0.970	NA	NA	0.110
10	Y43110-18	.8438-18	0.312	2.580	1.000	1.150	NA	NA	0.203
12	Y43112-18	1.0000-16	0.352	2.890	1.125	1.380	NA	NA	0.351

45° DUALSEAL FITTINGS - MATES WITH MIL-F-85421/1 AND /2AND AS4207



HOSE SIZE	PART NUMBER	NUT THREAD SIZE (T)	NUT ENGAGEMENT LENGTH (A)	REACH MAX (B)	NUT SIZE (C)	COLLAR HEX SIZE (D)	DROP (E)	GAGE POINT (F)	WEIGHT (LB) CRES
4	Y43204-18	.4375-24	0.215	2.070	0.562	0.690	0.325	NA	0.056
6	Y43206-18	.5625-20	0.235	2.355	0.688	0.800	0.333	NA	0.086
8	Y43208-18	.7188-20	0.248	2.630	0.875	0.970	0.359	NA	0.131
10	Y43210-18	.8438-18	0.312	3.490	1.000	1.150	0.409	NA	0.243
12	Y43212-18	1.0000-16	0.352	3.880	1.125	1.380	0.450	NA	0.443

90° DUALSEAL FITTINGS - MATES WITH MIL-F-85421/1 AND /2AND AS4207



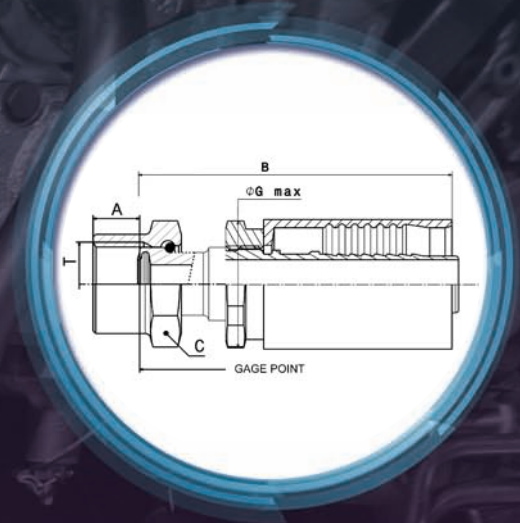
HOSE SIZE	PART NUMBER	NUT THREAD SIZE (T)	NUT ENGAGEMENT LENGTH (A)	REACH MAX (B)	NUT SIZE (C)	COLLAR HEX SIZE (D)	DROP (E)	GAGE POINT (F)	WEIGHT (LB) CRES
4	Y43204-18	.4375-24	0.215	1.850	0.562	0.690	0.621	NA	0.057
6	Y43206-18	.5625-20	0.235	2.150	0.688	0.800	0.655	NA	0.091
8	Y43208-18	.7188-20	0.248	2.490	0.875	0.970	0.738	NA	0.142
10	Y43210-18	.8438-18	0.312	3.375	1.000	1.150	0.884	NA	0.268
12	Y43212-18	1.0000-16	0.352	3.770	1.125	1.380	0.078	NA	0.466

TITEFLEX RA170 (220 SERIES) STRAIGHT DUALSEAL FITTINGS

METRIC - MILLIMETERS

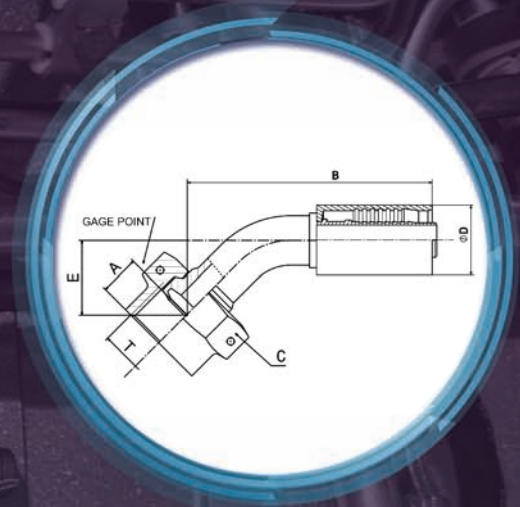
STRAIGHT DUALSEAL FITTINGS - MATES WITH MIL-F-85421/1 AND /2AND AS4207

HOSE SIZE	PART NUMBER	NUT THREAD SIZE (T)	NUT ENGAGEMENT LENGTH (A)	REACH MAX (B)	NUT SIZE (C)	COLLAR HEX SIZE (D)	DROP (E)	GAGE POINT (F)	WEIGHT (GRAMS) CRES
4	Y43104-18	.4375-24	5.5	36.3	14.3	17.5	NA	NA	19.0509
6	Y43106-18	.5625-20	6.0	43.7	17.5	20.3	NA	NA	31.7515
8	Y43108-18	.7188-20	6.3	49.5	22.2	24.6	NA	NA	49.8952
10	Y43110-18	.8438-18	7.9	65.5	25.4	29.2	NA	NA	92.0793
12	Y43112-18	1.0000-16	8.9	73.4	28.6	35.1	NA	NA	159.211



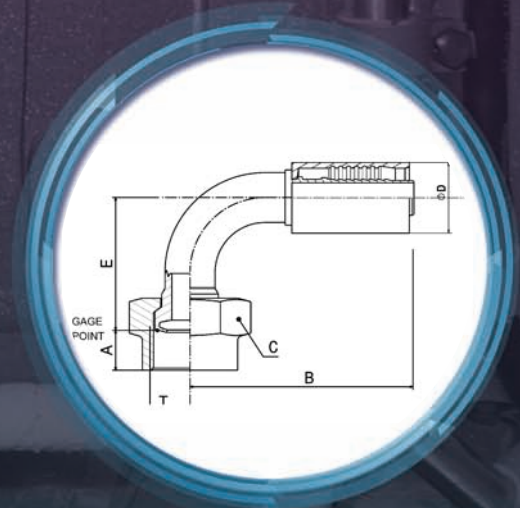
45° DUALSEAL FITTINGS - MATES WITH MIL-F-85421/1 AND /2AND AS4207

HOSE SIZE	PART NUMBER	NUT THREAD SIZE (T)	NUT ENGAGEMENT LENGTH (A)	REACH MAX (B)	NUT SIZE (C)	COLLAR HEX SIZE (D)	DROP (E)	GAGE POINT (F)	WEIGHT (GRAMS) CRES
4	Y43204-18	.4375-24	5.5	52.6	14.3	17.5	8.3	NA	25.4012
6	Y43206-18	.5625-20	6.0	59.8	17.5	20.3	8.5	NA	39.0089
8	Y43208-18	.7188-20	6.3	66.8	22.2	24.6	9.1	NA	59.4206
10	Y43210-18	.8438-18	7.9	88.6	25.4	29.2	10.4	NA	110.223
12	Y43212-18	1.0000-16	8.9	98.6	28.6	35.1	11.4	NA	200.941



90° DUALSEAL FITTINGS - MATES WITH MIL-F-85421/1 AND /2AND AS4207

HOSE SIZE	PART NUMBER	NUT THREAD SIZE (T)	NUT ENGAGEMENT LENGTH (A)	REACH MAX (B)	NUT SIZE (C)	COLLAR HEX SIZE (D)	DROP (E)	GAGE POINT (F)	WEIGHT (GRAMS) CRES
4	Y43204-18	.4375-24	5.5	47.0	14.3	17.5	15.8	NA	25.8548
6	Y43206-18	.5625-20	6.0	54.6	17.5	20.3	16.6	NA	41.2769
8	Y43208-18	.7188-20	6.3	63.2	22.2	24.6	18.7	NA	64.4101
10	Y43210-18	.8438-18	7.9	85.7	25.4	29.2	22.5	NA	121.563
12	Y43212-18	1.0000-16	8.9	95.8	28.6	35.1	27.4	NA	211.374



SERIES: 500
SPECIFICATION: SAE AS5951
BRAID: Kevlar®
INNERCORE: PTFE Smoothbore
QUALIFICATIONS: SAE AS5951

SA500 (500 SERIES):

500 Series: lightweight 5080 PSI (350 Bar) non-metallic aerospace hose qualified to AS5951. The hose consists of an extruded smoothbore conductive PTFE innercore, reinforced with Kevlar® para-aramid braid and covered by an integral Cordura® chafe sleeve. Standard fittings are titanium, however CRES fittings are also available. PTFE provides excellent chemical resistance and unlimited shelf life. The 500 Series is ideal for weight-critical 5080 PSI (207 Bar) applications within the temperature range of -65° to +275°F (-54°C to +135°C). Fire protection is available per AS1055 Class A with slip-on AS1072 firesleeve. Hybrid assemblies combining flex hose with multi-bend tube are a Titeflex specialty and provide improved vibration dampening, ease of installation, and maintenance over strictly rigid tube.



Hose size 8 depicted (Not to scale). Actual hose construction varies by size.

ENGLISH

HOSE SIZE	OPERATING PRESSURE	HOSE ID (MIN)	HOSE OD (MIN)	HOSE OD (MAX)	BRAIDED HOSE WT/1/	BEND RADIUS (MIN) /2/	PROOF PRESSURE	ROOM TEMP BURST (MIN)	HIGH TEMP BURST (MIN)
	psi	in	in	in	lb/in	in	psi	psi	psi
4	5,080	0.212	0.44	0.48	0.006	1.5	10,160	20,320	15,240
6	5,080	0.298	0.525	0.565	0.009	2.5	10,160	20,320	15,240
8	5,080	0.391	0.75	0.925	0.02	2.88	10,160	20,320	15,240
10	5,080	0.49	0.855	0.895	0.02	3.25	10,160	20,320	15,240
12	5,080	0.602	0.98	1.18	0.032	4	10,160	20,320	15,240

NOTES:
 /1/ Over minimum 12 inch length
 /2/ Inside of bend



TITFLEX SA500 (500 SERIES)

METRIC

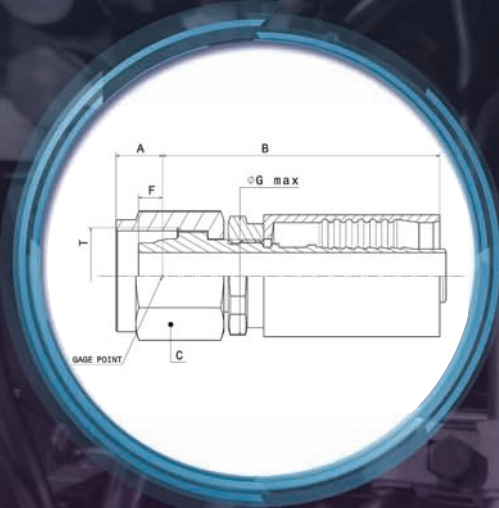
HOSE SIZE	OPERATING PRESSURE	HOSE ID (MIN)	HOSE OD (MIN)	HOSE OD (MAX)	BRAIDED HOSE WT/1/	BEND RADIUS (MIN) /2/	PROOF PRESSURE	ROOM TEMP BURST (MIN)	HIGH TEMP BURST (MIN)
	bar	mm	mm	mm	g/m	mm	bar	bar	bar
4	350	5.38	11.18	12.19	113	38.1	701	1 401	1 051
6	350	7.57	13.34	14.35	161	63.5	701	1 401	1 051
8	350	9.93	19.05	23.5	357	73.2	701	1 401	1 051
10	350	12.45	21.72	22.73	363	82.6	701	1 401	1 051
12	350	15.29	24.89	29.97	572	101.6	701	1 401	1 051

NOTES:
 /1/ Over minimum 12 inch length
 /2/ Inside of bend

TITFLEX SA500 (500 SERIES) FLARELESS (NAS) FITTINGS

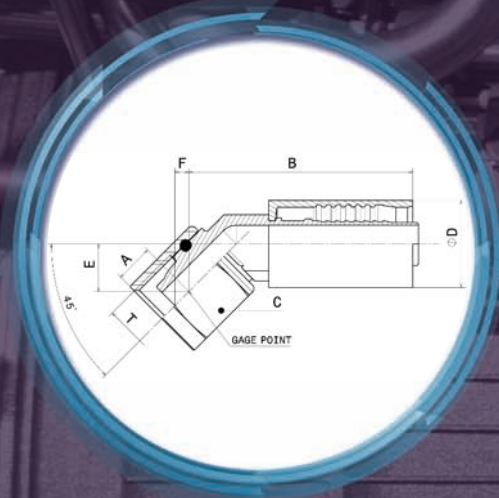
ENGLISH - INCHES

STRAIGHT FLARELESS FITTINGS - MATES WITH AS5827



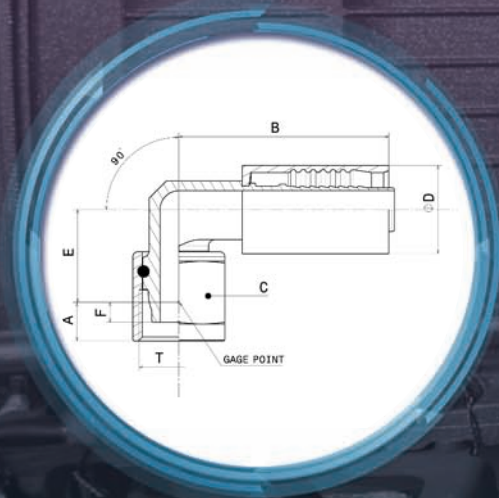
HOSE SIZE	PART NUMBER	NUT THREAD SIZE (T)	NUT ENGAGEMENT LENGTH (A)	REACH MAX (B)	NUT SIZE (C)	COLLAR HEX SIZE (D)	DROP (E)	GAGE POINT (F)	WEIGHT (LB) CRES
4	Y40404-35	.4375-20	0.320	1.920	0.560	*	NA	0.155	0.06
6	Y40406-35	.5625-18	0.326	2.160	0.690	*	NA	0.164	0.10
8	Y40408-35	.7500-16	0.368	2.510	0.880	*	NA	0.189	0.16
10	Y40410-35	.8750-14	0.396	3.090	1.000	*	NA	0.201	0.25
12	Y40412-35	1.0625-12	0.421	4.040	1.250	*	NA	0.228	0.59

45° ELBOW FLARELESS FITTINGS - MATES WITH AS5827



HOSE SIZE	PART NUMBER	NUT THREAD SIZE (T)	NUT ENGAGEMENT LENGTH (A)	REACH MAX (B)	NUT SIZE (C)	COLLAR HEX SIZE (D)	DROP (E)	GAGE POINT (F)	WEIGHT (LB) CRES
4	Y40404-35	.4375-20	0.320	2.370	0.560	*	0.393	0.110	0.69
6	Y40406-35	.5625-18	0.326	2.550	0.690	*	0.433	0.116	0.12
8	Y40408-35	.7500-16	0.368	2.920	0.880	*	0.552	0.134	0.19
10	Y40410-35	.8750-14	0.396	3.530	1.000	*	0.565	0.142	0.27
12	Y40412-35	1.0625-12	0.421	4.600	1.250	*	0.686	0.131	0.68

90° ELBOW FLARELESS FITTINGS - MATES WITH AS5827



HOSE SIZE	PART NUMBER	NUT THREAD SIZE (T)	NUT ENGAGEMENT LENGTH (A)	REACH MAX (B)	NUT SIZE (C)	COLLAR HEX SIZE (D)	DROP (E)	GAGE POINT (F)	WEIGHT (LB) CRES
4	Y40504-35	.4375-20	0.320	1.530	0.560	*	0.805	0.115	0.07
6	Y40506-35	.5625-18	0.326	1.720	0.690	*	0.875	0.164	0.13
8	Y40508-35	.7500-16	0.368	1.940	0.880	*	1.055	0.189	0.20
10	Y40510-35	.8750-14	0.396	2.470	1.000	*	1.240	0.201	0.30
12	Y40512-35	1.0625-12	0.421	3.260	1.250	*	1.359	0.228	0.72

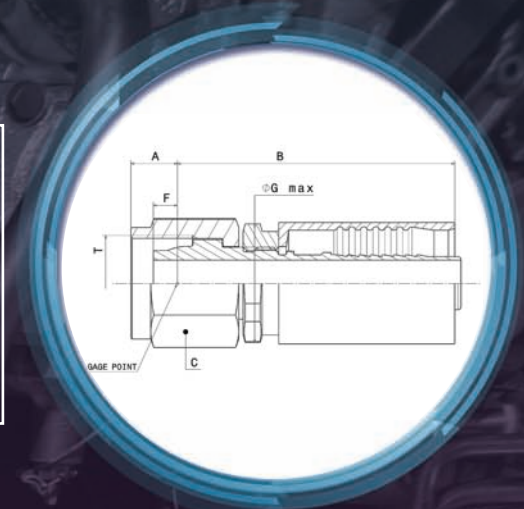
* Contact Titeflex for details.

TITEFLEX SA500 (500 SERIES) FLARELESS (NAS) FITTINGS

METRIC - MILLIMETERS

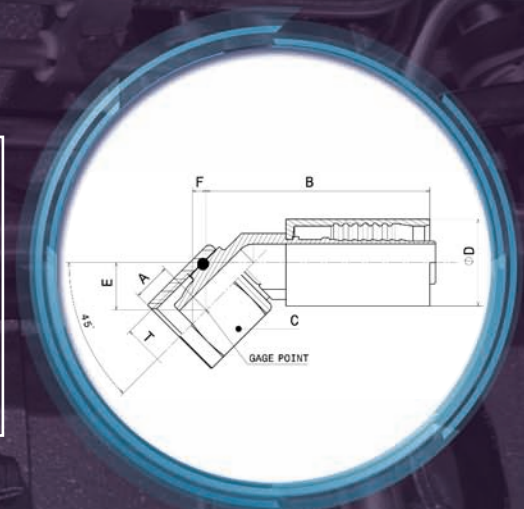
STRAIGHT FLARELESS FITTINGS - MATES WITH AS5827

HOSE SIZE	PART NUMBER	NUT THREAD SIZE (T)	NUT ENGAGEMENT LENGTH (A)	REACH MAX (B)	NUT SIZE (C)	COLLAR HEX SIZE (D)	DROP (E)	GAGE POINT (F)	WEIGHT (GRAMS) CRES
4	Y40404-35	.4375-20	8.1	48.8	14.2	*	NA	3.937	25.9
6	Y40406-35	.5625-18	8.3	54.9	17.5	*	NA	4.166	46.3
8	Y40408-35	.7500-16	9.3	63.8	22.4	*	NA	4.801	73.5
10	Y40410-35	.8750-14	10.1	78.5	25.4	*	NA	5.105	112.0
12	Y40412-35	1.0625-12	10.7	102.6	31.8	*	NA	5.791	268.5



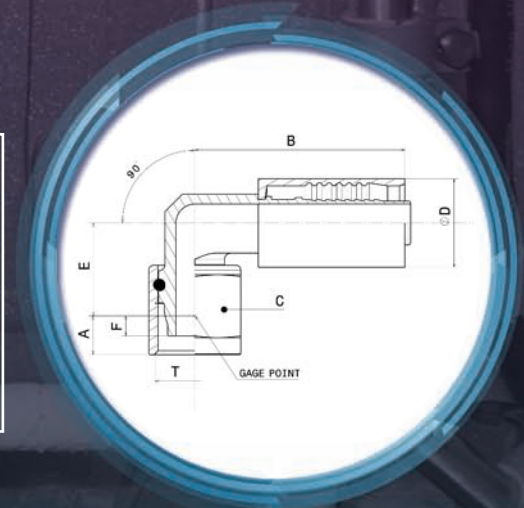
45° ELBOW FLARELESS FITTINGS - MATES WITH AS5827

HOSE SIZE	PART NUMBER	NUT THREAD SIZE (T)	NUT ENGAGEMENT LENGTH (A)	REACH MAX (B)	NUT SIZE (C)	COLLAR HEX SIZE (D)	DROP (E)	GAGE POINT (F)	WEIGHT (GRAMS) CRES
4	Y40404-35	.4375-20	8.1	60.2	14.2	*	10.0	2.794	313.0
6	Y40406-35	.5625-18	8.3	64.8	17.5	*	11.0	2.946	55.8
8	Y40408-35	.7500-16	9.3	74.2	22.4	*	14.0	3.404	85.7
10	Y40410-35	.8750-14	10.1	89.7	25.4	*	14.4	3.607	120.7
12	Y40412-35	1.0625-12	10.7	116.8	31.8	*	17.4	4.089	310.3



90° ELBOW FLARELESS FITTINGS - MATES WITH AS5827

HOSE SIZE	PART NUMBER	NUT THREAD SIZE (T)	NUT ENGAGEMENT LENGTH (A)	REACH MAX (B)	NUT SIZE (C)	COLLAR HEX SIZE (D)	DROP (E)	GAGE POINT (F)	WEIGHT (GRAMS) CRES
4	Y40504-35	.4375-20	8.1	38.9	14.2	*	20.4	3.937	32.7
6	Y40506-35	.5625-18	8.3	43.7	17.5	*	22.2	4.166	58.5
8	Y40508-35	.7500-16	9.3	49.3	22.4	*	26.8	4.801	89.8
10	Y40510-35	.8750-14	10.1	62.7	25.4	*	31.5	5.105	136.1
12	Y40512-35	1.0625-12	10.7	82.8	31.8	*	34.5	5.791	325.7



* Contact Titeflex for details.

Rigid Tube Fabrication

Titeflex has a wide range of in-house rigid tube assembly fabrication capabilities to service the demanding applications and requirements of the aerospace industry. We are accustomed to working with all of the typical aerospace materials including austenitic and "PH" stainless steels, nickel alloys (600, 625, 718, X750, Waspaloy, and Hasteloy), titanium, and aluminum. The knowledge and skill of our personnel enable us to tackle some of the toughest jobs that the industry has to offer.

Tube forming capabilities include rotary draw tube bending to 3" diameter, roll sweep bending to $\frac{3}{4}$ " diameter, coiling to $\frac{1}{2}$ " diameter, end finishing, and press forming.

Metal joining capabilities include orbital and manual GTAW welding, induction brazing, vacuum furnace brazing, and torch brazing. We also perform vacuum heat treating (stress relieving, solution heat treating, and precipitation hardening) of materials other than aluminum.

As companions to metal joining we have a non-destructive testing lab certified for radiography and liquid penetrant inspection and in-house cleaning capability including titanium cleaning. Our non-destructive testing capabilities also include pressure testing with media and pressures as follows:

- **Air / Nitrogen / Helium** **8,000 PSI**
- **Water** **15,000 PSI**
- **Skydrol** **8,000 PSI**

In addition to routine cleaning we also perform special cleaning, testing (particle count and NVR), and protective packaging of components for oxygen systems and other systems having special cleanliness requirements.

We hold many aerospace customer approvals for special processes and are Nadcap accredited in Welding & Brazing, Furnace Brazing & Heat Treatment, Chemical Processing (including titanium cleaning), and Non-Destructive Testing (Radiography and LPI).



RIGID TUBING CAPABILITIES

BENDING (Cold Forming):

RANGE OF TUBE DIAMETER

1/16" to 3"

PREFERRED MINIMUM CENTERLINE BEND RADII

Titanium

3 x Tube O.D. (³ 3% Flattening Allowance)

2 x Tube O.D. (³ 5% Flattening Allowance)

Ferrous & Nickel Alloys

1½ x Tube O.D. (³ 5% Flattening Allowance)

Non-Ferrous Alloys

1½ x Tube O.D. (³ 10% Flattening Allowance)

PREFERRED MINIMUM DISTANCE BETWEEN BENDS

2 x Tube O.D. (Special Tooling Required for Shorter Lengths)

Note: Material properties for elongation must be compatible with bend requirements.

JOINING:

DC ORBITAL WELDING

12 Units 1/8" to 3" O.D.

MANUAL WELDING

(20) Manual Weld Stations

(2) VAC Atmosphere Weld Chambers

Load/Unload Chamber 24" x 36"; 15" x 72"

Work Area 36" x 80"

INDUCTION BRAZING

10 KVA to 50 KVA

FURNACE BRAZING & HEAT TREATING

VFS MODEL HL 66

Work Zone 50" x 34" x 72"

Max. Temperature 2400°F

Vacuum 1.0 x 10⁻⁴ Torr.

CNC Control

ABAR/IPSEN MODEL H3636 TURBOTREATER

Work Zone 24" x 24" x 36"

Max. Temperature 2400°F

Vacuum 1.0 x 10⁻⁴ Torr. To 2 Bar

CNC Control

TORCH BRAZING

MECHANICAL ATTACHED FITTINGS

Deutsch DMA, Deutsch Permaswage, Sierracin-Harrison, Elastomerc Swage, Wiggins/Hydraflow, Rynglok

END FORMING:

ANNEALED FERROUS, NICKEL OR NON-FERROUS

Flaring: 3/16" to 3" O.D. x .065 Wall Max.

Beading: 1/4" to 3" O.D. x .065 Wall Max.

Swaging: 2" O.D. Max. x .065 Wall Max.

OUTSIDE SUBCONTRACT EXPERIENCE:

Plasma Coating

Plating

Dip Brazing

Resistance Welding

Grinding

Shot Peening

Sheet Metal Forming

Painting

NON-DESTRUCTIVE TESTING:

MEDIUM AND MAXIMUM PRESSURES

Air/Nitrogen/Helium - 8,000 PSI

Water - 15,000 PSI

Skydrol - 8,000 PSI

RADIOGRAPHIC INSPECTION

Maximum Material Thickness - 1" Equivalent SST

Automatic Film Processing

FLUORESCENT PENETRANT INSPECTION

Water Washable and Post - Emulsifiable System

Normal to High Sensitivity

ULTRASONIC

Shear Wave Impulse Echo by Contact Method

INSPECTION:

3 Eaton Leonard Laser Visions: (2) Optima (1) Standard

Non-Contact Tube Measuring Machine

Tolerance - Tube Envelope ± .005

- End Points ± .002

Networked to All Power Benders for Set-Up

Elongation/Springback Feedback

MITUTOYO B706 COORDINATE MEASURING MACHINE

Measuring Range - X Axis 28", Y Axis 24", Z Axis 18"

ENGINEERING:

CATIA V4, V5

UNIGRAPHICS NX2 CAD/SYSTEM (4 STATION), WINDOWS PLATFORM

IGES, STEP, UG TRANSLATORS

3D Wire Frame & Solid Modeling

Tool, Jig & Fixture Design

Reverse Engineering of Assemblies

TESTING:

CLASS 1000 CLEAN ROOM CAPABILITIES

NVR Analysis

Particle Size & Weight Analysis

Packaging

Titeflex Flex-Rigid Hybrid Assemblies

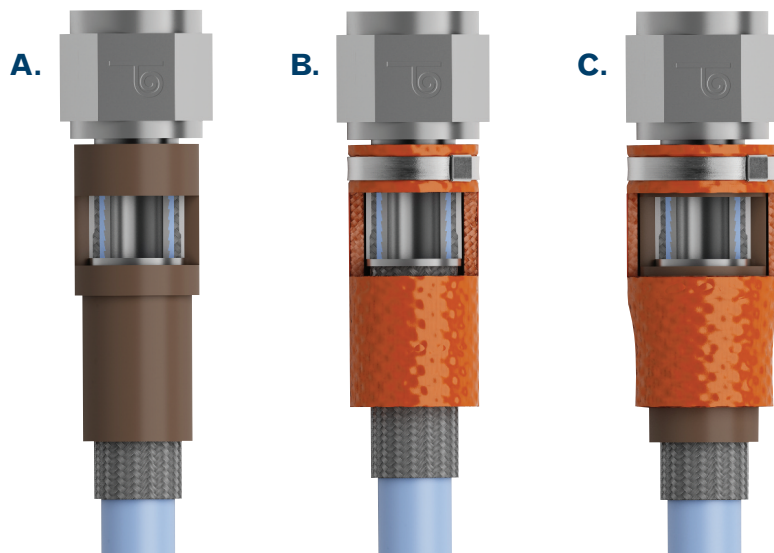
Titeflex Aerospace blends its vast experience in flexible hose fabrication and precision bending of rigid tubes to deliver flex-rigid assemblies. These hybrid assemblies combining flex hose with multi-bend tube are a Titeflex specialty and provide improved vibration dampening, ease of installation, and maintenance over strictly rigid tube. Titeflex can adapt flex hose to any rigid configuration, thereby reducing connection points between flex and rigid elements and eliminating leak opportunities. Flex-Rigid Assemblies can be found on commercial aircraft, military aircraft, engines, landing gear, space applications, and for power generation. Titeflex flex-rigid assemblies are used extensively in the International Space Station. For more information about how Titeflex can provide solutions for your fluid distribution needs through flex-rigid assemblies, please contact us.



Fire Protection for Aerospace Applications

COMPATIBLE WITH AEROSPACE HYDRAULIC FLUIDS AND FUEL

- A.** Integral firesleeve available for all CRES braided hose configurations. Fire protection per AS1055 for 15 minute duration.
- B.** Slip-on firesleeve available for all braided hose. Firesleeve material meets AS1072. Fire protection per AS1055 for 15 minute duration.
- C.** For no-flow or other non-standard applications Titeflex offers a dual mode (slip-on firesleeve over integral firesleeve) system available for all CRES braided hose configurations. This engineered approach provides superior fire protection for 5 to 15 minute duration depending on application environment.



Anti-abrasion Sleeves

Titeflex offers a variety of anti-abrasion sleeves with varying materials and applications for superior chafe protection while maintaining flexibility in hose assemblies.

Options include Titeflex RP chafe sleeve, which consists of polyester yarn braided directly on the hose for ultimate chafe protection, maximum flexibility, and chemical resistance. Titeflex RC chafe sleeve consists of Cordura® yarn braided directly on the hose for lightweight chafe protection.

Additionally Titeflex offers anti-abrasion heat shrinkable sleeves of polyolefin or PTFE; and anti-abrasion tubular sleeves of vinyl, neoprene, and PTFE.

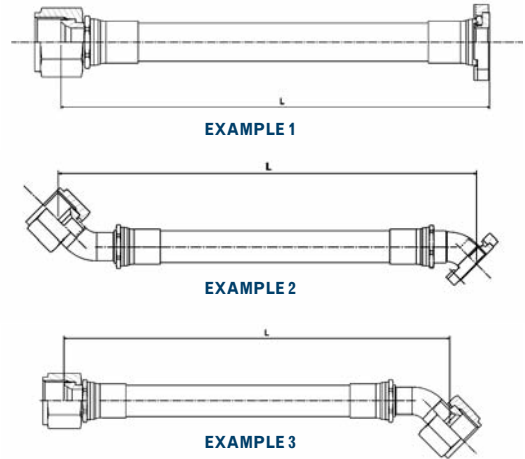
Please contact Titeflex for applications, restrictions, and additional information.

Cordura® is a registered trademark of Invista.

How to Order Hose Assemblies

HOW TO MEASURE LENGTHS OF HOSE ASSEMBLIES

- For hose assemblies with straight to straight fittings, 38° seat, DIN, BNAE and flange, measure between the faces of the inserts (including flange retainer insert) as shown in example 1.
- For hose assemblies with 45° or 90° Elbow fittings, 38° seat, DIN, BNAE and flange measure from the center of the elbow, as shown in example 2.
- For hose assemblies with flareless fittings, DualSeal,** the measurement is from the center of the gage point to the other gage point, as shown in example 3.



HOW TO SPECIFY A HOSE ASSEMBLY

1) STRAIGHT-TO-STRAIGHT and STRAIGHT-TO ELBOW CONFIGURATIONS

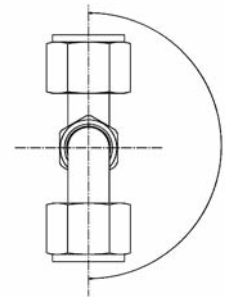
EXAMPLE 1 13000208-0124C

13	00	02	08	012	4	C
Hose Type	Fitting one end	Fitting other end	Hose size (Nom. ID in 1/16 inches)	Hose assembly length (L) in even inches	Hose assembly fractional in 1/8 inches	Special feature

Explanation: Titeflex "130 SERIES" hose assembly with a straight 38° seat SS fitting at one end and an elbow 90° 38° seat SS fitting at the other end. Hose size is -08 (Nominal inside diameter in 16th inches). Hose assembly length (L) is 12.5 inches (012= length in even inches, 4 = length in fractional 1/8 inches. Assembly is equipped with a PTFE chafe sleeve

2) DOUBLE ELBOW CONFIGURATION

When ordering double elbow hose assemblies, hose size is indicated by a letter instead of number (see table below) and the dash is relocated (or deleted if a special feature code letter is added). Angular orientation between the elbows is expressed in three digits. The angle is measured in degrees counterclockwise from the centerline of the nearest fitting to the centerline of the other fitting as shown in the figure. If the desired orientation is 0 degrees, specify as 000.



EXAMPLE 2 130102G0256-180

Explanation: Titeflex "130 SERIES" hose assembly with 45° elbow 38° seat fitting SS at one end and a 90° elbow 38° seat fitting SS at the other end. Hose size is -12 (Nominal inside diameter in 16th inches). Hose assembly length (L) is 25 3/4 inches (025= length in even inches, 6 = length in fractional 1/8 inches. Orientation between the elbows is 180°. The same assembly with a PTFE chafe sleeve would be specified by dropping the dash and inserting the special feature code letter "C". The number would be then read as 130102G0256C180.

SUBSTITUTION LETTERS FOR HOSE SIZE DASH NUMBER

Hose Size	03	04	05	06	08	10	12	16	16Z	20	20Z	24Z	32	40	48
Substitution Letters	A	B	C	D	E	F	G	H	J	K	L	M	N	P	R

** Titeflex Trademark and patented product

HOW TO ORDER HOSE ASSEMBLIES

ORDERING FITTINGS SEPARATELY?

Individual part numbers are listed for all standard fittings included in this catalog. In general, fittings are specified by a prefix “Y”, followed by a three-digit base number and a two digit number which indicates size. A dash followed by one or two digit number designates material (stainless or lightweight construction).

EXAMPLE 3 Y40105-12

Y	401	05	12
Fitting Designation	Fitting Type and Orientation	Size (Nom. ID in 1/16 Inches)	Material and Hose Type

ORDERING HOSE IN BULK?

Hose is specified by a prefix “R” followed by a three-digit number indicating type of hose. A dash followed by one or two digit number denotes size (nominal inside diameter in 16th inches). Total length of hose is specified by a second dash followed by the hose length in feet.

EXAMPLE 4 R 101-4-050

R	101	-4	-050
Hose Designation	Type of Hose	Size	Length in Feet

HOSE ASSEMBLIES LENGTH

Standard tolerances on assembly lengths:

L < 457 MM T ± 3 MM

457 < L < 914 MM T ± 6 MM

914 < L < 1270 MM T ± 12,5 MM

L > 1270 MM T ± 1%

PRESSURE TEST – Titeflex Aerospace hoses for airborne equipment are proof pressure tested at twice the recommended operating pressure (see hose charts for each type of assembly) before shipment. Unless otherwise specified, the test fluid used is water. Nitrogen or other pneumatic type proof pressure test can be used when specified.

R&D/DESIGN – Titeflex Aerospace offers extensive design capabilities, specializing in PTFE Flexible Hose, Annular Convolute Metal Hose, Rigid Tube Fabrication, and Flex-Rigid Assemblies. Titeflex Aerospace Engineers utilize the latest tools and technology, included Catia V5, and can meet all of your fluid transfer design needs. At Titeflex Aerospace, a dedicated team of R&D engineers exists to provide our customers with solutions for complex product design from concept to qualification.

METHODS & PROCESSES – Titeflex Aerospace has highly developed manufacturing processes based on a wide range of engineering experience. This results in very low reject rates and increased production efficiency. Our

engineers and designers work very closely with the manufacturing team to continuously improve these methods and also maximize product reliability and durability.

LASER & ELECTROETCH MARKING – Titeflex Aerospace identifies each manufactured product using one of two permanent, non-polluting, and non-corroding methods. The laser marking process consists of laser engraving on a stainless steel tag fixed to the flexible hose assembly. The advantage of this process is the provision of permanent durable identification. When laser marking is not possible, Titeflex can provide permanent marking through electro chemical reaction (Electroetch). This is a safe, acid free, and non toxic identification process which is perfectly compatible with stainless steel tags.

DATAMATRIX IDENTIFICATION – Titeflex is equipped with specific software to translate any identification into a datamatrix or barcode system. This software is coupled with Laser and Electroetch marking devices. A dedicated reader device is used to validate and ensure workable marking for the customers.

HOW TO ORDER HOSE ASSEMBLIES

X	XX	XX	XX	XX	XX	XXX	X	X
		Fitting One End		Fitting Other End		Hose Assembly Length (L) in Even Inches		
Special Feature Prefix Letter	Hose Type Number	Fitting Number			Hose Size (Nom. ID) in 1/16 Inches	Hose Assembly Fractional Length in 1/8 Inches	Special Feature Suffix Letter	
		SS	LW	Description				
	19 190 Series							
F Silicone Extruded-on Fire Sleeve (RF)	13 130 Series	00	20	Straight 38° Seat - JIC			A - Aluminum Flange or Nut with a Stainless Steel insert	
	18 180 series	01	21	45° Elbow Seat 38° JIC			C - Teflon Chafe Sleeve White (Natural)	
	22 220 Series	02	22	90° Elbow Seat 38° JIC			C1 - Teflon Chafe Sleeve Black	
M Extruded Fire Sleeve 15Min. test (RM)	24 240 Series	05	25	Tube Adapter			H - 2 Tie Wire Holes	
	25 250 Series	06	26	Straight Flareless			HH - 3 Tie Wire Holes	
p Polyester Braid chafe Sleeve	37 370 Series	07	27	Flange Straight MS20756			J - PTFE Spiral Chafe Sleeve	
	41 410 Series	08	28	45° Elbow Flange MS20756			K - Polyolefin Chafe Sleeve, Clear	
W Urethane coating for Nomex®** Braid	48 480 Series	09	29	90° Elbow Flange MS20756			K1 - Polyolefin Chafe Sleeve, Black	
	50 500 Series	11	31	Male 38° - JIC			L - Clean for Oxygen Service	
	51 510 Series	14	34	45° Elbow Flareless			S - Fire Sleeve TF 1072	
	66 660 Series	15	35	90° Elbow Flareless			R - Step-up end-fitting (One Size)	
	S145 Standard pitch	16	36	Male Flareless			RR - Step-up end-fitting (Two Sizes)	
	S245 Close pitch	Al	AA	BNAE Straight			T - Step-down end-fitting (One Size)	
		Bl	BA	45° Elbow BNAE			TT - Step-down end-fitting (Two Sizes)	
		Cl	CA	90° Elbow BNAE			W - Heliwrap firesleevee	
		Dl	DA	DIN Straight			U - Titanium Nut	
		El	EA	45° Elbow DIN			M - Silvered Nut	
		Fl	FA	90° Elbow DIN			B - Carbon Steel Nut or Flange with a SS Insert	
		Gl	GA	ARSAERO Short				
		Hl	HA	ARSAERO				
		Jl	JA	BNAE Banjo				

ACCREDITATIONS

USA

CAGE: 78570

ISO 9001 AS 9100

ISO 14001

ISO IEC 17025

ISO IEC 17025 Scope

Nadcap Chemical Processing

Nadcap Fluid Distributing Systems

Nadcap Heat Treating

Nadcap Non-Destructive Testing

Nadcap Welding

OHSAS 18001

FRANCE

AS 9100

IR 21 (JAR21)

ISO 9001

ISO 14001

Nadcap Non-Destructive Testing

Nadcap Welding

OHSAS 18001

CAGE: F6409

INDIA

AS 9100

CEMILAC

ISO 9001

DISCLAIMER:

Although the information provided herein is presented in good faith and believed to be correct, Titeflex makes no representations or warranties as to the completeness or accuracy of the information. Every effort has been made to present the latest technically accurate information however, industry standards and specifications are subject to revision at any time and human errors can occur. The products and designs offered herein, without limitation, are subject to change at any time without notice. Improper selection or use of products offered herein can result in injury or death. The recommendations and suggestions regarding product application and use that are offered by Titeflex on its website, in our product brochures, or information provided by any employee or distributor of Titeflex are only a guide in the use of our products and are not a guarantee to their performance since Titeflex has no control over the use to which other parties may apply the product. The information herein and the products available are provided on an "as is" basis. No representations or warranties, either express or implied, of merchantability, fitness for a particular purpose or of any other nature are made hereunder with respect to information or the products to which information refers. Information is supplied upon the condition that the persons receiving same will make their own determination as to its suitability for their purposes prior to use. In no event will Titeflex be responsible for damages of any nature whatsoever resulting from the use of or reliance upon information herein or the products to which the information refers.



smiths

TITEFLEX AEROSPACE

93 Lexington Drive, Laconia, NH 03246 U.S.A.

TEL: +1-603-524-2064

FAX: +1-603-524-5830

TITEFLEX EUROPE

22 Avenue Maurice Chevalier

77833 Ozoir-la-Ferriere, France

TEL: +33 1 60 18 52 00

FAX: +33 1 64 40 23 37

STS TITEFLEX INDIA PVT. LTD.

38 K.I.A.D.B. Industrial Area, Doddaballapur,

Bangalore - 561203, Karnataka, India

TEL: +91 80 2763 0626

FAX: +91 80 2763 0627

